

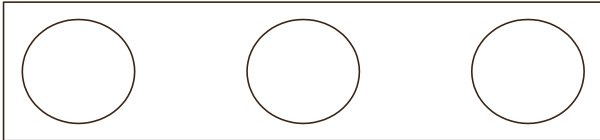


INSTALLATION INSTRUCTIONS

IMPORTANT

Before assembling your ACCESS LIGHTING fixture, please make sure that you carefully read through these instruction sheets. Consider having your fixture installed by a qualified licensed electrician.

NOTE: The important safeguards and instructions that appear in this manual are not meant to cover all possible conditions and situations that may occur. It must be understood that common sense, caution and care, are factors that can't be built into any product. These factors must be supplied by the person(s) caring for and operating the fixture.



GENERAL INFORMATION

All electrical connections must be in accordance with all ordinances, Local and National Electrical Codes. These fixtures are intended for mounting to a standard 4" x 2 1/2" metal octagon outlet box. The box must be directly supported by the building structure and U.L. Recognized.

STEP BY STEP INSTRUCTIONS

Before starting your installation disconnect the Power by turning off the Circuit Breaker or by removing the fuse at the fuse box. Just turning the light off at the light switch is not sufficient to prevent electrical shock.

COLLECTION
CLASSIC

APPLICATION
Wall Fixture

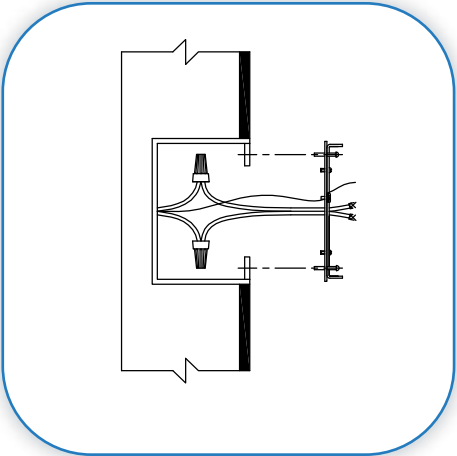
MODEL NO.
62473LEDD

WHAT WE PROVIDE

- Mounting Hardware
- Crossbar Plate
- Allen wrench
- 3 x Glass shade
- LED

WHAT YOU NEED

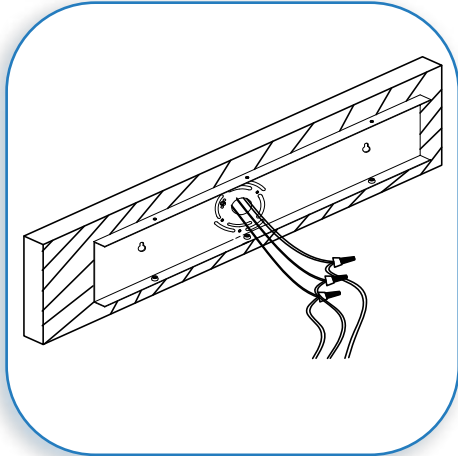
- Screwdriver
- Wire Cutters
- Wiring Supplies as Specified by Electrical Code



1

PREPARE FIXTURE

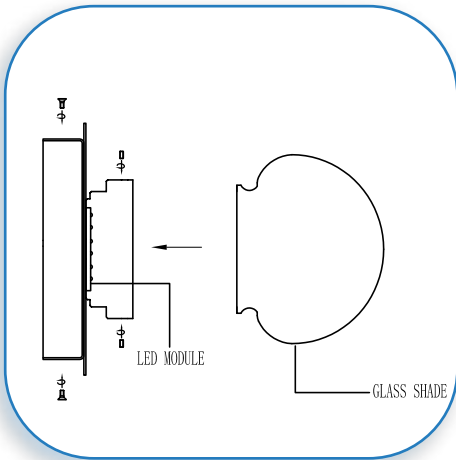
If there is an existing fixture remove it. Gently pull the supply wires from the J-box. Mount the crossbar to the J-box with the supplied screws.



2

MAKE WIRE CONNECTIONS

Gently pull the supply wires through the hole in the crossbar. Connect the black supply wire to the black fixture wire. Secure with the supplied wire nuts. Connect the white supply wire to the white fixture wire. Secure with the supplied wire nuts. Either wrap the green wire around one of the protruding screws or connect it to the supply ground wire. Secure all wires with electrical tape (not supplied). Tuck all wires carefully into the J-Box.

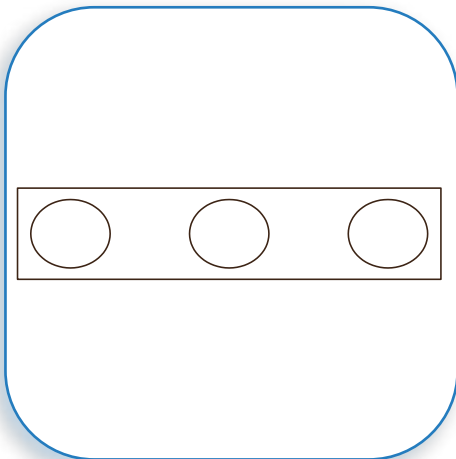


3

MOUNT THE BACK PLATE

Position the fixture plate over the crossbar plate. Align the holes at the top and bottom of the plate. Secure with the supplied screws. Install the glass shades over the LED module and secure with the supplied allen screws.

WARNING: DO NOT RESTORE ELECTRICITY AND USE THIS FIXTURE BEFORE THE GLASS SHADE IS INSTALLED



4

RESTORE THE ELECTRICITY AND CHECK THE OPERATION OF YOUR NEW ACCESS LIGHTING FIXTURE

CAUTION If the fixture is to be removed or replaced, please ensure that the electricity is switched off and that the fitting is cool before touching it.