

Model No :: **20010MG-WH/RFR**  
 Name :: Bermuda



Project Name :: \_\_\_\_\_  
 Location :: \_\_\_\_\_  
 Type :: \_\_\_\_\_  
 Quantity :: \_\_\_\_\_  
 Notes :: \_\_\_\_\_

**Product Information**

Product ID :: 20010  
 UPC Code :: 641594206500  
 Mounting Type :: Wall  
 Finish :: White (WH)  
 Diffuser :: Ribbed Frosted (RFR)  
 Alt. Finishes :: Black (BL); Bronze (BRZ); Satin (SAT);  
 White (WH); White (WHT)  
 Alt. Diffusers :: Ribbed Frosted (RFR)

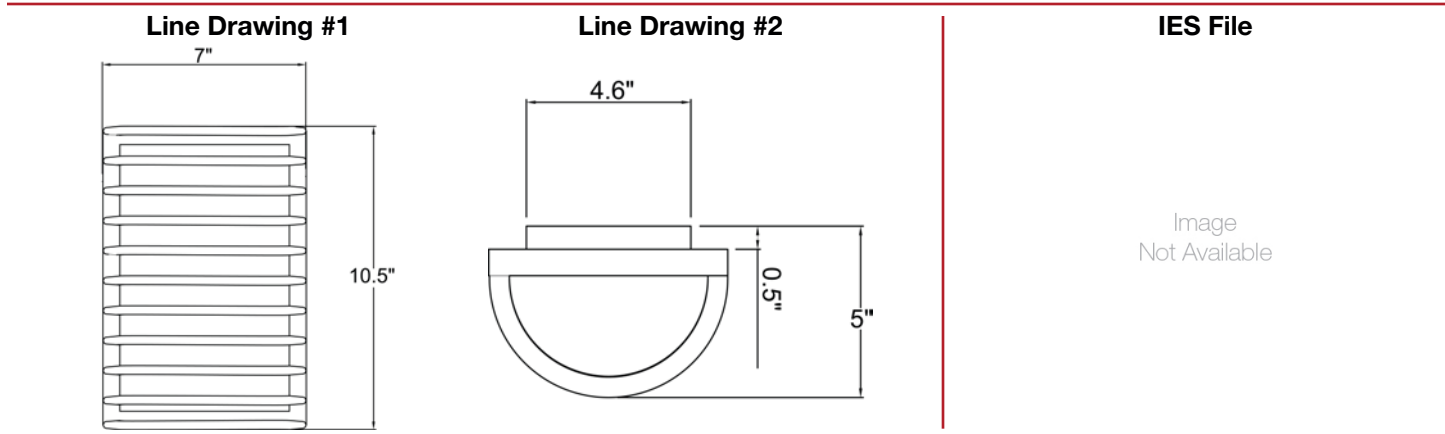
**Product Dimensions**

Fixture	Canopy
Length :: N/A	Length :: 4.75"
Width :: 7"	Width :: 4.75"
Diameter :: N/A	Diameter :: N/A
Extension :: 5"	Height :: 0.5"
Height :: 10.5"	
Overall Height :: N/A	



**Technical Specifications**

Qualifications	Specifications	Photometrics	Recommended Dimmers
Location Rating :: Wet	Frame Material :: Aluminum	CCT :: 2700	(TRIAC) Any Standard Dimmer
Certification :: UL Listed (US/Canada)	Diffuser Material :: Glass	CRI :: N/A	
IES File ::	Voltage :: 120v	Wattage :: 60w	
JA8 Compliant :: No	Lamping Type :: Incandescent	Nominal Lumens :: 800Lm	
Energy Star :: No	Lamping Base :: E-26	Delivered Lumens :: N/A	
ADA Compliant :: No	Lamp Quantity :: 1	Additional Items :: 0	
Marine Grade :: Yes	Lamp Wattage :: 60 W		
Emergency Lighting :: No	Total Wattage :: 60w		
Warranty :: 3 Year Limited	Lamps Included :: No		
	J-Box Type :: Standard		



Toll Free 800-828-5483 • [www.AccessLighting.com](http://www.AccessLighting.com)

14410 Myford Road, Irvine, CA 92606  
 The information provided is subject to change without notice. ©2020 Access Lighting Corporation. All Rights Reserved  
 Rev. 202004 Filename:: 20010MG-WH\_RFR.pdf

