

Model No :: **20070LEDD-SILV/ACR**  
 Name :: **Ulko Exterior**



Project Name :: \_\_\_\_\_  
 Location :: \_\_\_\_\_  
 Type :: \_\_\_\_\_  
 Quantity :: \_\_\_\_\_  
 Notes :: \_\_\_\_\_

**Product Information**

Product ID :: 20070  
 UPC Code :: 641594217681  
 Mounting Type :: Ceiling  
 Finish :: Silver (SILV)  
 Diffuser :: Acrylic Lens (ACR)  
 Alt. Finishes :: White (WH)  
 Alt. Diffusers :: N/A

**Product Dimensions**

<b>Fixture</b>		<b>Canopy</b>	
Length ::	N/A	Length ::	N/A
Width ::	N/A	Width ::	N/A
Diameter ::	5.5"	Diameter ::	N/A
Extension ::	N/A	Height ::	N/A
Height ::	1"		
Overall Height ::	N/A Max.		



**Technical Specifications**

**Qualifications**

Location Rating :: Wet  
 Certification :: cETLus  
 IES File :: No  
 JA8 Compliant :: Yes  
 Title 20 Compliant :: N/A  
 Energy Star :: Yes  
 ADA Compliant :: No  
 Marine Grade :: No  
 Emergency Lighting :: No  
 Warranty :: 5 Year Limited

**Specifications**

Frame Material :: Acrylic  
 Diffuser Material :: Acrylic  
 Voltage :: 120v  
 Lamping Type :: Dedicated LED  
 Lamping Base :: SSL  
 Lamp Quantity :: 1  
 Lamp Wattage :: 11 W  
 Total Wattage :: 11 W  
 Lamps Included :: Yes  
 J-Box Type :: Standard

**Photometrics**

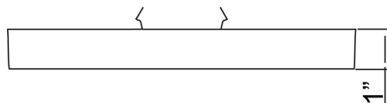
CCT :: 3000  
 CRI :: 90  
 Wattage :: 11 W  
 Nominal Lumens :: 700  
 Delivered Lumens :: 580

**Recommended Dimmers**

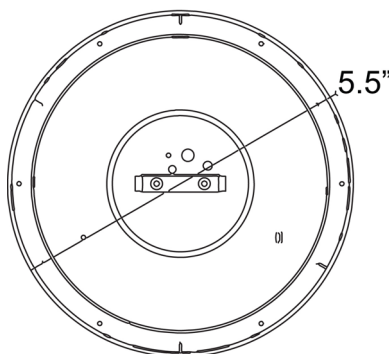
(ELV) LUTRON Skylark SELV-300P; (MLV) LUTRON Diva DVLV-600P; (TRIAC) LEVITON Decora Sureslide 6674; (TRIAC) LEVITON Surslide 6631; (TRIAC) LEVITON Trimatron 6684; (TRIAC) LUTRON Diva DV-600P; (TRIAC) LUTRON Diva DVCL-153P

Custom Options :: N/A; Additional Items :: N/A

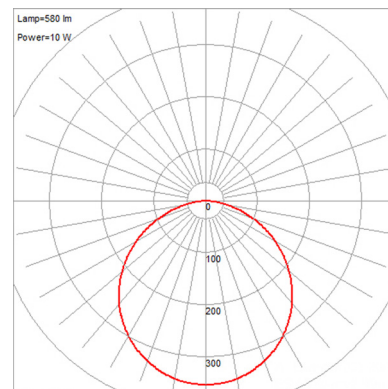
**Line Drawing #1**



**Line Drawing #2**



**IES File**



**Toll Free 800-828-5483 or www.AccessLighting.com**

14410 Myford Road, Irvine, CA 92606

The information provided is subject to change without notice. ©2018 Access Lighting Corporation. All Rights Reserved  
 Rev. 201902 Filename:: 20070LEDD-SILV\_ACR.pdf

