

Model No :: **20362LEDDL- BRZ/OPL**
 Name :: Artemis



Project Name :: _____
 Location :: _____
 Type :: _____
 Quantity :: _____
 Notes :: _____

Product Information

Product ID :: 20362
 UPC Code :: 641594227451
 Mounting Type :: Wall
 Finish :: Bronze (BRZ)
 Diffuser :: Opal (OPL)
 Alt. Finishes :: Bronze (BRZ); Satin (SAT)
 Alt. Diffusers :: Opal (OPL)

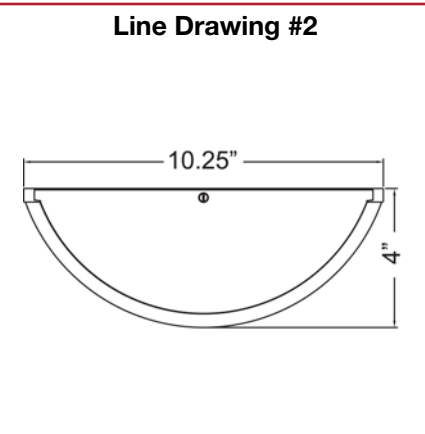
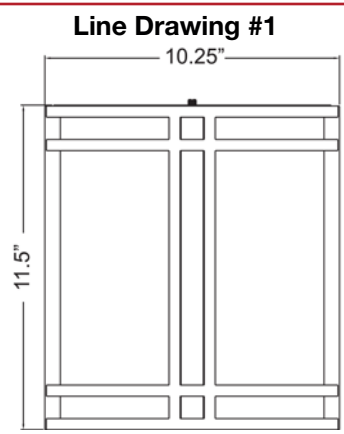
Product Dimensions

Fixture	Canopy
Length :: N/A	Length :: 11.5"
Width :: 10.25"	Width :: 10.5"
Diameter :: N/A	Diameter :: N/A
Extension :: 4"	Height :: 0.5"
Height :: 11.5"	
Overall Height :: N/A	



Technical Specifications

Qualifications	Specifications	Photometrics	Recommended Dimmers
Location Rating :: Wet	Frame Material :: Steel	CCT :: 3000	(TRIAC) LEVITON Surslide 6631;
Certification :: UL Listed (US/Canada)	Diffuser Material :: Glass	CRI :: 90	(TRIAC) LEVITON illumatech
IES File ::	Voltage :: 120v	Wattage :: 20w	IPI06; (TRIAC) LUTRON Diva
JA8 Compliant :: Yes	Lamping Type :: Replaceable LED	Nominal Lumens :: 1600Lm	DVCL-153P; (TRIAC) LUTRON
Energy Star :: No	Lamping Base :: E-26	Delivered Lumens :: N/A	Skylark S-600 or S-600P
ADA Compliant :: Yes	Lamp Quantity :: 2	Additional Items :: 0	
Marine Grade :: No	Lamp Wattage :: 10 W		
Emergency Lighting :: No	Total Wattage :: 20w		
Warranty :: 1 Year Limited	Lamps Included :: Yes		
	J-Box Type :: Standard		



IES File

Image Not Available

Toll Free 800-828-5483 • www.AccessLighting.com

14410 Myford Road, Irvine, CA 92606
 The information provided is subject to change without notice. ©2020 Access Lighting Corporation. All Rights Reserved
 Rev. 202004 Filename:: 20362LEDDL- BRZ_OPL.pdf

