

Model No :: **52091LEDDL-PP-BB/CLR**
 Name :: Grand



Project Name :: _____
 Location :: _____
 Type :: _____
 Quantity :: _____
 Notes :: _____

Product Information

Product ID :: 52091
 UPC Code :: 641594223835
 Mounting Type :: Ceiling
 Finish :: Brushed Brass (BB)
 Diffuser :: Clear (CLR)
 Alt. Finishes :: Brushed Brass (BB); Brushed Steel (BS)
 Alt. Diffusers :: Clear (CLR)

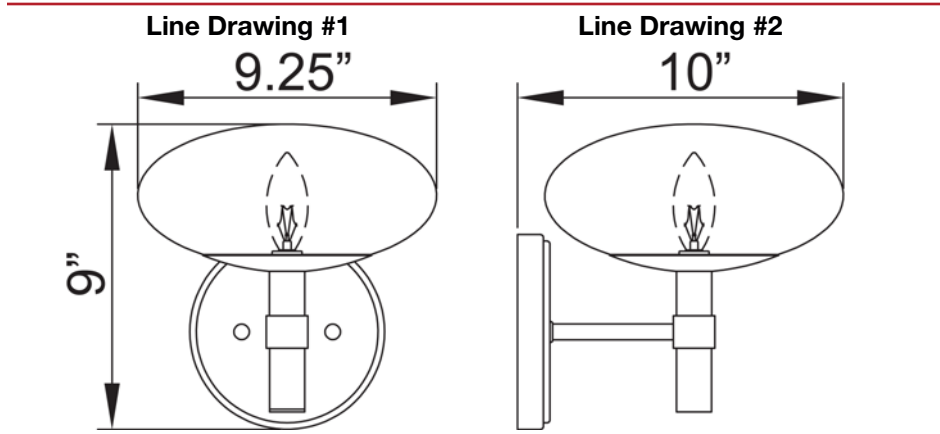
Product Dimensions

Fixture	Canopy
Length :: N/A	Length :: N/A
Width :: 9.25"	Width :: N/A
Diameter :: N/A	Diameter :: N/A
Extension :: 10"	Height :: N/A
Height :: 9"	
Overall Height :: N/A	



Technical Specifications

Qualifications	Specifications	Photometrics	Recommended Dimmers
Location Rating :: Dry	Frame Material :: Metal	CCT :: 2700	(ELV) LUTRON Diva DVELV-300P; (ELV) LUTRON Diva DVELV-303P; (ELV) LUTRON Skylark SELV-300P; (TRIAC) LEVITON Trimatron 6684
Certification :: UL Listed (US/Canada)	Diffuser Material :: Glass	CRI :: 90	
IES File ::	Voltage :: 120v	Wattage :: 4w	Additional Items :: 0
JA8 Compliant :: Yes	Lamping Type :: Replaceable LED	Nominal Lumens :: 300Lm	
Energy Star :: No	Lamping Base :: E-12	Delivered Lumens :: N/A	
ADA Compliant :: No	Lamp Quantity :: 1		
Marine Grade :: No	Lamp Wattage :: 4 W		
Emergency Lighting :: No	Total Wattage :: 4w		
Warranty :: 1 Year Limited	Lamps Included :: Yes		
	J-Box Type :: Standard		



IES File

Image Not Available

Toll Free 800-828-5483 • www.AccessLighting.com

14410 Myford Road, Irvine, CA 92606
 The information provided is subject to change without notice. ©2020 Access Lighting Corporation. All Rights Reserved
 Rev. 202004 Filename: 52091LEDDL-PP-BB_CLR.pdf

