

Model No :: **62562-MSS/OPL**  
 Name :: Serenity



Project Name :: \_\_\_\_\_  
 Location :: \_\_\_\_\_  
 Type :: \_\_\_\_\_  
 Quantity :: \_\_\_\_\_  
 Notes :: \_\_\_\_\_

**Product Information**

Product ID :: 62562  
 UPC Code :: 641594223712  
 Mounting Type :: Wall  
 Finish :: Mirrored Stainless Steel (MSS)  
 Diffuser :: Opal (OPL)  
 Alt. Finishes :: Antique Brass (AB); Mirrored Stainless Steel (MSS)  
 Alt. Diffusers :: Opal (OPL)

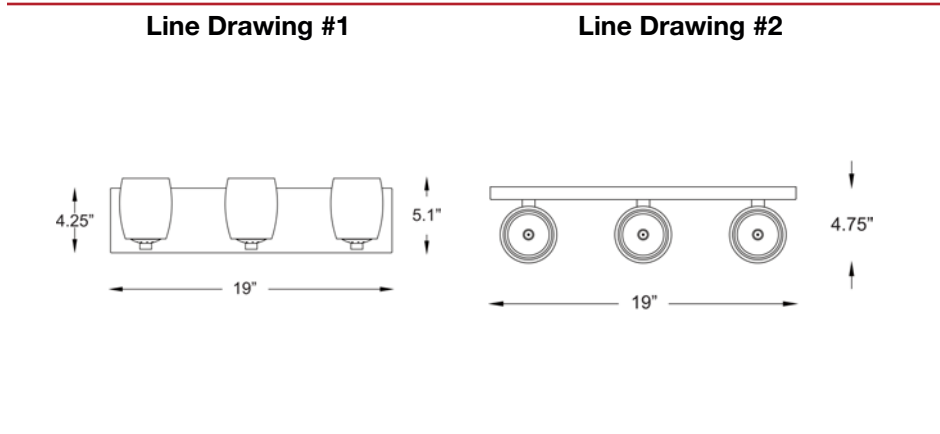
**Product Dimensions**

Fixture	Canopy
Length :: N/A	Length :: N/A
Width :: 19"	Width :: 19"
Diameter :: N/A	Diameter :: N/A
Extension :: 4.75"	Height :: 4.25"
Height :: 5.25"	
Overall Height :: N/A	



**Technical Specifications**

Qualifications	Specifications	Photometrics	Recommended Dimmers
Location Rating :: Damp	Frame Material :: Metal	CCT :: 2900	(TRIAC) Any Standard Dimmer
Certification :: UL Listed (US/Canada)	Diffuser Material :: Glass	CRI :: N/A	
IES File ::	Voltage :: 120v	Wattage :: 120w	
JA8 Compliant :: No	Lamping Type :: Halogen	Nominal Lumens :: 1440Lm	
Energy Star :: No	Lamping Base :: G9	Delivered Lumens :: N/A	
ADA Compliant :: No	Lamp Quantity :: 3	Additional Items :: 0	
Marine Grade :: No	Lamp Wattage :: 40 W		
Emergency Lighting :: No	Total Wattage :: 120w		
Warranty :: 1 Year Limited	Lamps Included :: Yes		
	J-Box Type :: Standard		



**IES File**

Image Not Available

Toll Free 800-828-5483 • [www.AccessLighting.com](http://www.AccessLighting.com)

14410 Myford Road, Irvine, CA 92606  
 The information provided is subject to change without notice. ©2020 Access Lighting Corporation. All Rights Reserved  
 Rev. 202004 Filename:: 62562-MSS\_OPL.pdf

