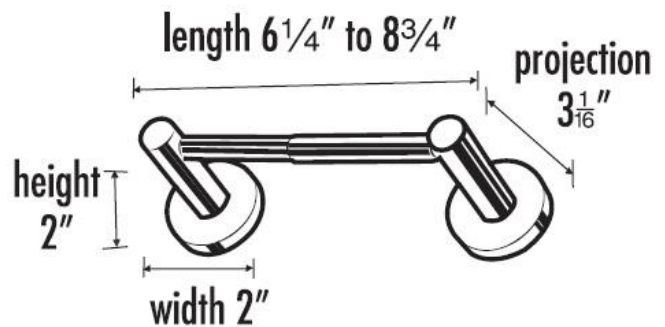


SPECIFICATIONS

**CONTEMPORARY I
TISSUE HOLDER**



FEATURES

Modern styling
Multiple finishes
Concealed installation

WARRANTY

Limited lifetime

FINISHES

Polished Brass/Non-lacquered (PB/NL)
Polished Chrome (PC)
Bronze (BRZ)
Polished Nickel (PN)
Satin Brass (SB)
Satin Nickel (SN)

MATERIAL

Brass

Item#

A8360

NOTE: Dimensions and specifications are subject to change without notice.

T 818.882.6028 F 818.700.1540 www.alnoinc.com