

## ⚠ WARNINGS AND CAUTIONS

- Make sure **POWER** is **COMPLETELY OFF** at the fuse box
  - Have your fixture installed by a qualified licensed electrician
  - Prepare everything in a clear area
  - Wear gloves at all times during this installation
  - Read instructions carefully before you start assembly
  - Keep this installation sheet for future reference
- Please Note:
- 120V input

## NOTICE

- The important safeguards and instructions outlined in this sheet cannot cover all possible conditions and situations that may occur. It must be understood that caution and certain care factors must be followed. These instructions are provided for your safety and we highly recommend that a licensed, trained electrician install this unit.
- This fixture is designed to be mounted on a correctly installed standard round or octagon box OR through a wiring box with a plaster frame. The box must be securely mounted to the structure of the building. The crossbar and hardware supplied should be used, directly mounting the fixture to the outlet box may make it impossible to correctly align the fixture.

## ASSEMBLY INSTRUCTIONS

### Step 1

Remove fixture from its original package.

### Step 2

Separate mounting plate (1c) from backplate (2a) by removing decorative nuts (2c).

### Step 3

Align mounting plate screws (1d) to desired orientation, and then attach mounting plate (1c) to electrical junction box (1a) using junction box screws provided (1e) in hardware package.

### Step 4

Make proper electrical connections (**black to hot "L"**, **white to neutral "N"**, **ground to "GND"**) with wire nuts (1b) provided in hardware package.

### Step 5

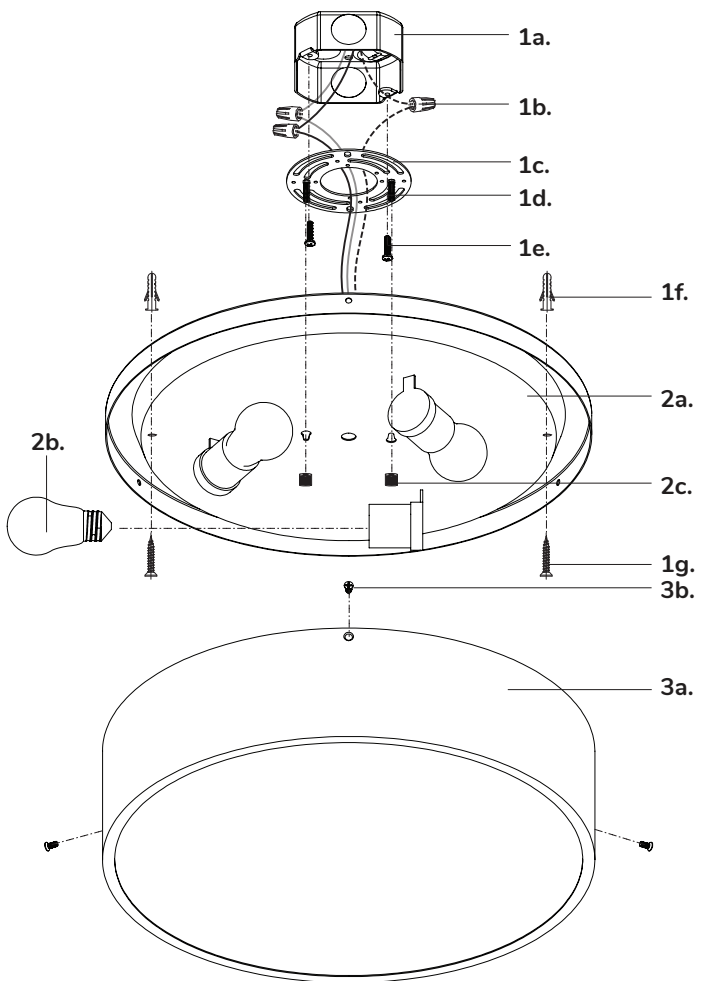
Align and insert mounting plate screws (1d) through holes on backplate (2a), secure with decorative nuts (2c).

### Step 6

Secure backplate (2a) to mounting surface with anchors (1f) and screws (1g)

### Step 7

Install the recommended lamp (2b) (not provided) (referred on the socket label for maximum wattage and type) to fixture socket. Attach fixture (3a) to backplate (2a) with fixture screws (3b).



You are now ready to enjoy your fixture.