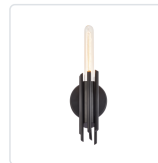


## TORRES WV335409

FIXTURE DIMENSIONS	W2-1/4" x H9-1/4" x E4-3/8"
HEIGHT FROM CENTER	5-3/8"
LAMP TYPE	E26
MAX WATTAGE	60W
BULB QTY	1
BULBS INCLUDED	No
VOLTAGE	120V
MATERIAL	Iron
INSTALL OPTIONS	Up/Down; Wall;
LOCATION	Damp
CANOPY DIMENSIONS	D4-3/4" x E5/8"
BRAND	Alora

[ D - Diameter, L - Length, W - Width, H - Height, E - Extension ]

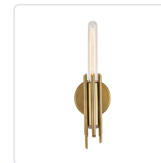
### AVAILABLE FINISHES:



WV335409MB  
Matte Black

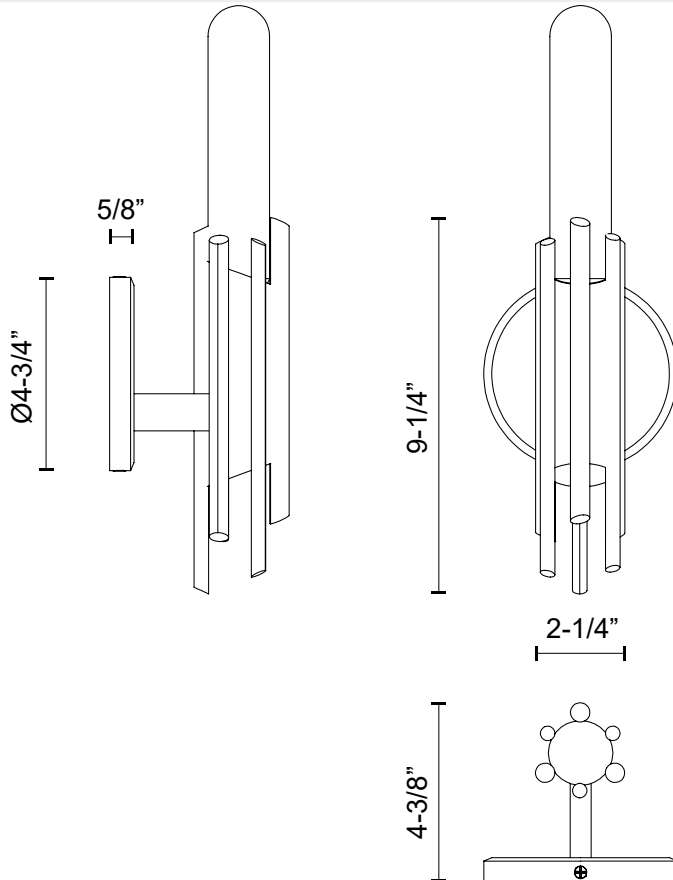


WV335409PN  
Polished Nickel



WV335409VB  
Vintage Brass

\*For complete warranty terms, please visit: [www.aloralighting.com/warranty](http://www.aloralighting.com/warranty)



WWW.ALORALIGHTING.COM