

## TORRES WV335811

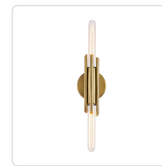
FIXTURE DIMENSIONS	W2-1/4" x H10-3/8" x E4-3/8"
LAMP TYPE	E26
MAX WATTAGE	60W
BULB QTY	2
BULBS INCLUDED	No
VOLTAGE	120V
MATERIAL	Iron
INSTALL OPTIONS	Up/Down; Wall;
LOCATION	Damp
CANOPY DIMENSIONS	D4-3/4" x E5/8"
BRAND	Alora

[ D - Diameter, L - Length, W - Width, H - Height, E - Extension ]

### AVAILABLE FINISHES:



WV335811PN  
Polished Nickel

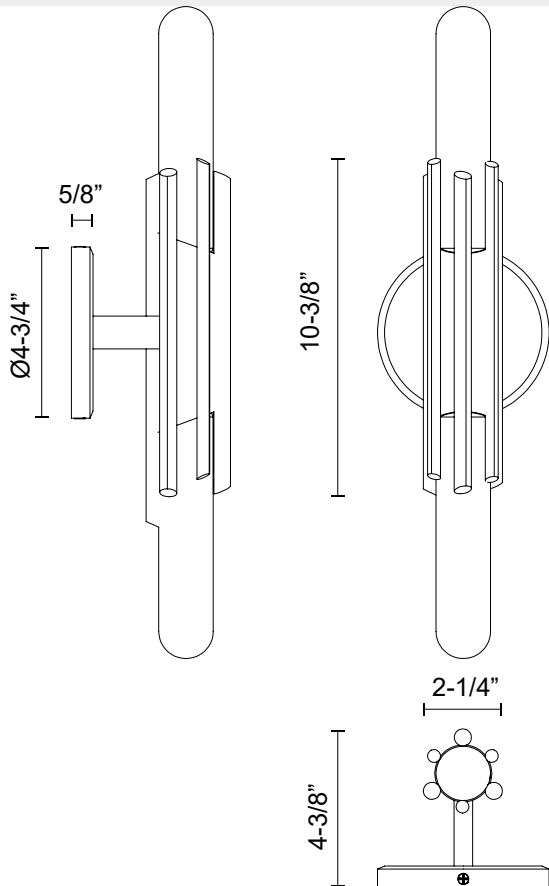


WV335811VB  
Vintage Brass



WV335811MB  
Matte Black

\*For complete warranty terms, please visit: [www.aloralighting.com/warranty](http://www.aloralighting.com/warranty)



WWW.ALORALIGHTING.COM