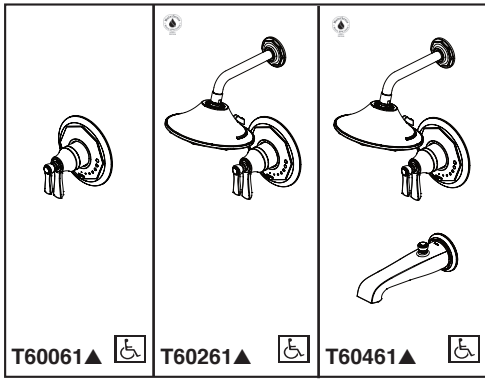


BRIZO®

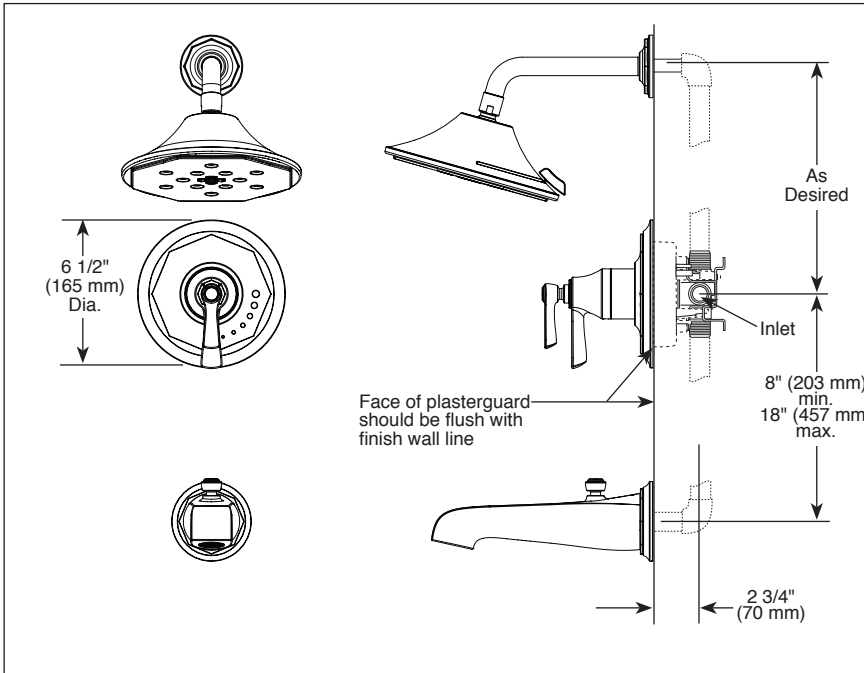
TUB AND SHOWER FAUCET TRIM

- Rook™ Collection
- Valve Only (T60061)
- Shower Only (T60261)
- Tub/Shower (T60461)



Submitted Model No.: _____

Specific Features: _____



FEATURES:

- TempAssure® thermostatic valve cartridge
- Multi-function showerhead featuring H₂Okinetic Technology®

STANDARD SPECIFICATIONS:

- Multi-function showerhead - 1.75 gpm @ 80 psi, 6.6 L/min @ 550 kPa
- Thermostatic wax element maintains the outlet temperature to ±3.6°F
- Must also order MultiChoice® Universal rough valve body (R60000 Series)
- Back-to-back installation capability
- Lever volume control handle; temperature adjustment lever
- Graphics indicate hot/cold temperature adjustment
- Field adjustable to limit handle rotation into hot water zone
- All parts replaceable from the front of the valve
- Adjusts for up to 1" wall thickness. Optional extension kit (RP74785) extends rough installation up to 1 3/4"
- Solid brass showerarm and tub spout with pull-up diverter
- 1/2"-14 threaded tub spout

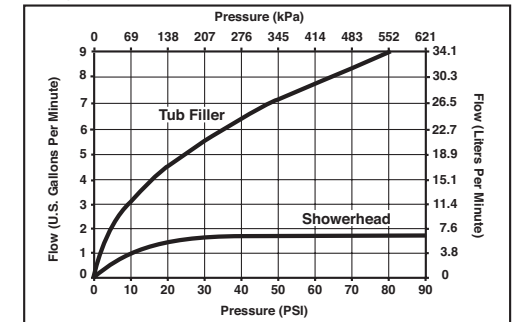
WARRANTY

- Lifetime limited warranty on parts (other than electronic parts and batteries) and finishes: or, for commercial users, for 5 years from date of purchase.
- 5 year limited warranty on electronic parts (other than batteries); or, for commercial users, for 1 year from the date of purchase. No warranty is provided on batteries.

COMPLIES WITH:

- ASME A112.18.1 / CSA B125.1
- ICC/ANSI A117.1 - Valve control only
- EPA WaterSense®

Using R60000-UNBX:



For additional flow rate information reference the Brizo price book.

Brizo Kitchen & Bath Company
 55 E. 111th Street, Indianapolis, Indiana 46280
 350 South Edgeware Road, St. Thomas, ON N5P 4L1
 © 2017 Brizo Kitchen & Bath Company

87461▲ 1.75 GPM Showerhead

Massaging Spray

Pause

H₂Okinetic Technology® Full Body

H₂Okinetic Technology® Invigorating

RP78581▲ (Pull-Up Diverter)

RP78582▲ (Non-Diverter)

RP78583▲ Channel (Non-Diverter)

RP74785 Available Extension Kit

▲ Designate proper finish suffix

Brizo Kitchen & Bath Company reserves the right (1) to make changes in specifications and materials, and (2) to change or discontinue models, both without notice or obligation. Dimensions are for reference only. See current full-line price book or www.brizo.com for finish options and product availability.