

CRYST RAMA



1958

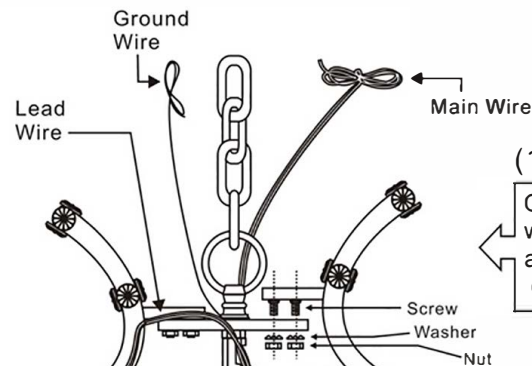
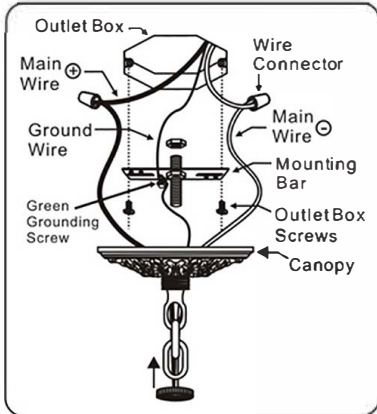
95 Cantiague Rock Road, Westbury NY 11590
 ph:516.931.9090 fax: 516. 931.1254
 info@crystorama.com www.crystorama.com



All electrical components must be installed by a licensed electrician in accordance with the National Electric Code and the appropriate local electrical codes.

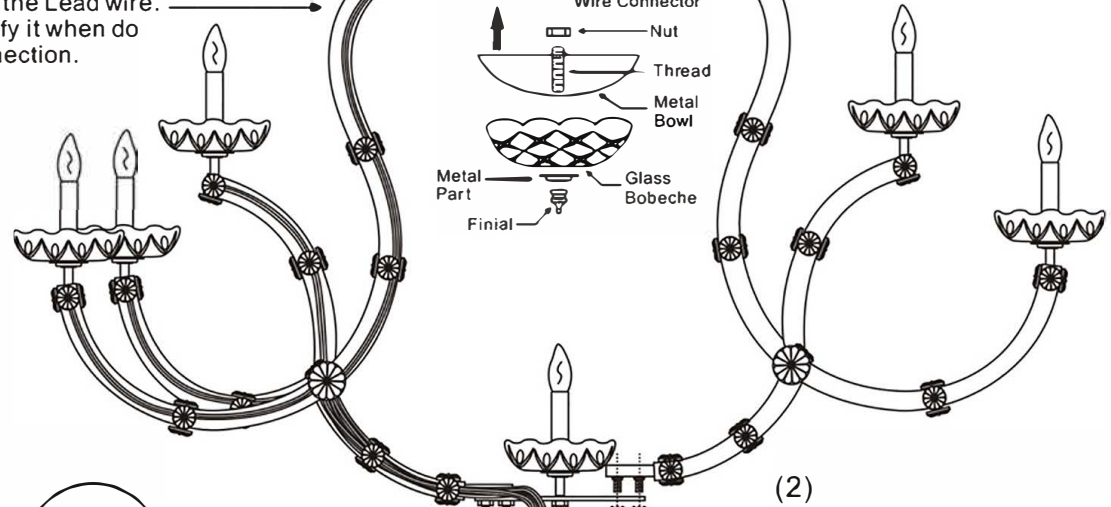


MODEL#:4418 ASSEMBLY AND DRESSING INSTRUCTIONS



(1)
Connect the Main wire with the Lead wire from the arm when the arms are completely assembled.

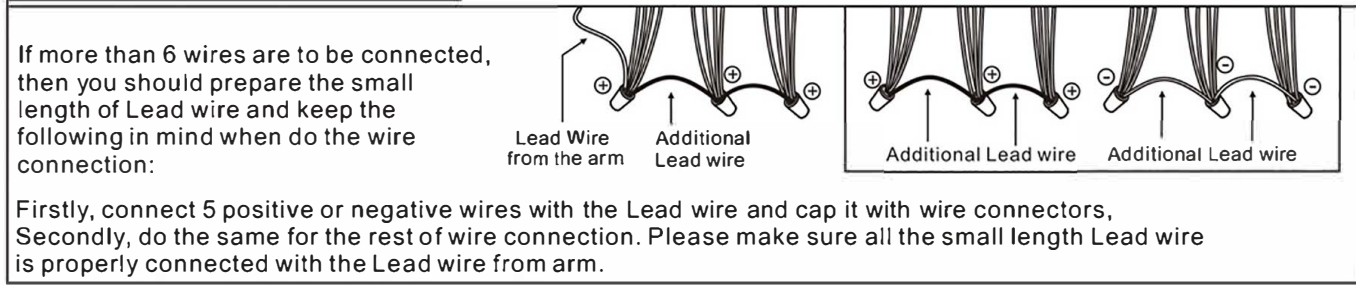
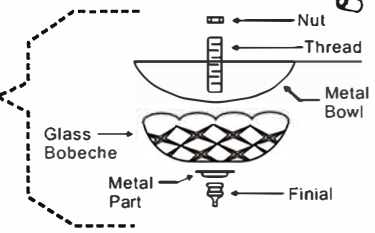
The arm with the Lead wire. Please identify it when do the wire connection.



(2)
Please read the Attention before connect the wires.
 Connect all the positive wire together (including the lead wire form the arm) (The wire with markings is the positive electrode.)
 Connect all the negative wire together (including the lead wire form the arm)

(3)
Install the bottom kits when wires are all correctly connected.

Attention:
One wire connector can connect only 6 wires.



CRYST RAMA



1998
95 Cantiague Rock Road, Westbury NY 11590
ph: 516.931.9090 fax: 516.931.1254
info@crystorama.com www.crystorama.com

MODEL#: 4418-MWP ASSEMBLY AND DRESSING INSTRUCTIONS

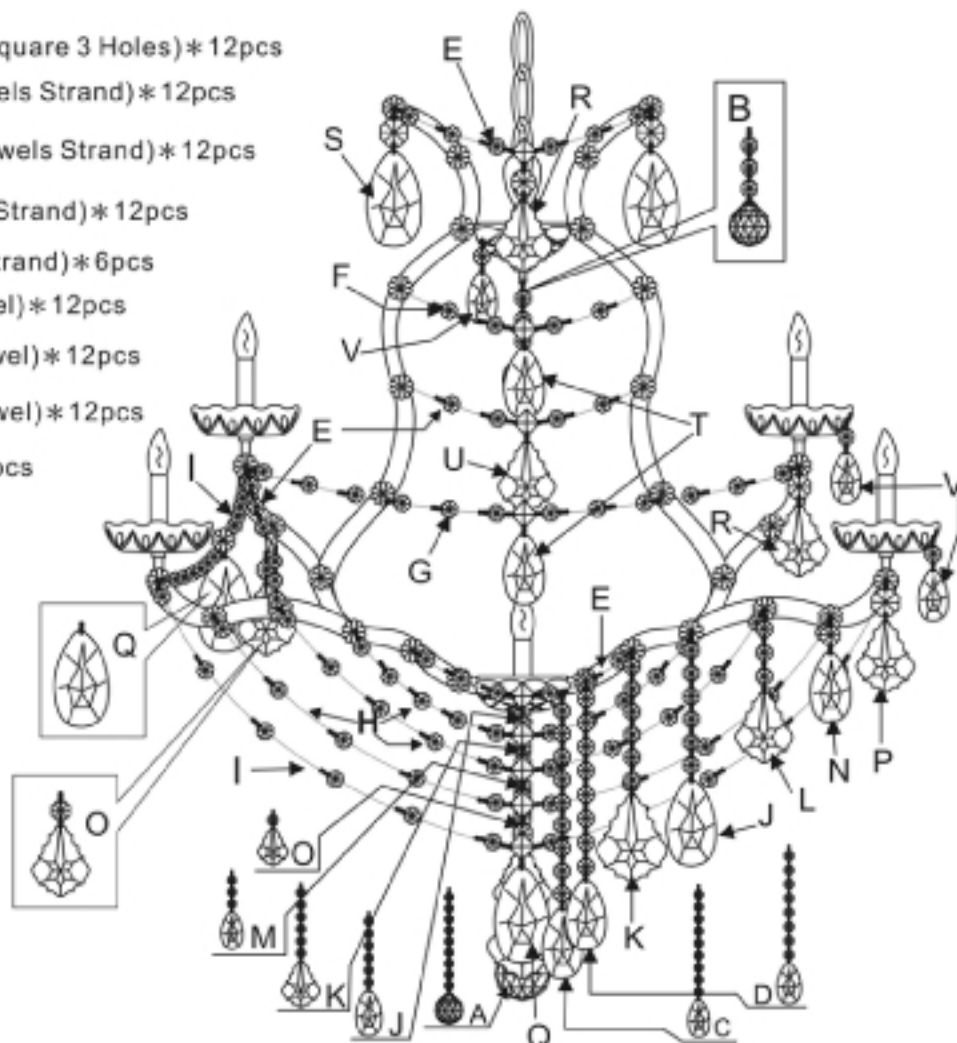


All electrical components must be installed by a licensed electrician in accordance with the National Electric Code and the appropriate local electrical codes.



- A (1x60mm Ball + 9 Jewels) * 1pc
- B (1x40mm Ball + 3 Jewels) * 1pc
- C (9/76-3" + 9 Jewels) * 6pcs
- D (9/76-3" + 8 Jewels) * 6pcs
- E (6 Jewels Strand + 1x16mm Square 3 Holes) * 24pcs
- F (4 Jewels Strand + 1x16mm Square 3 Holes) * 6pcs
- G (12 Jewels Strand + 1x16mm Square 3 Holes) * 6pcs
- H (10 Jewels Strand + 1x16mm Square 3 Holes) * 18pcs
- I (12 Jewels Strand + 1x16mm Square 3 Holes) * 12pcs
- J (9/70-3" + 6 Jewels Strand) * 12pcs
- K (20/75-3" + 6 Jewels Strand) * 12pcs
- L (20/75-3" + 3 Jewels Strand) * 12pcs
- M (9/76-3" + 3 Jewels Strand) * 6pcs
- N (9/76-3" + 1x18mm Jewel) * 12pcs
- O (20/75-3" + 1x18mm Jewel) * 12pcs
- P (20/87-3.5" + 1x28mm Jewel) * 12pcs
- Q (9/76-3" No Jewel) * 12pcs

- R (20/75-3" + 1x20mm Jewel) * 12pcs
- S (9/76-3" + 1x28mm Jewel) * 6pcs
- T (9/76-3" No Jewel) * 12pcs
- U (20/75-3" No Jewel) * 6pcs
- V (9/50-2") * 96pcs



You will need 19 - Cand. Bulb
25 Watts Recommended
40 Watts Max
Bulb not included.