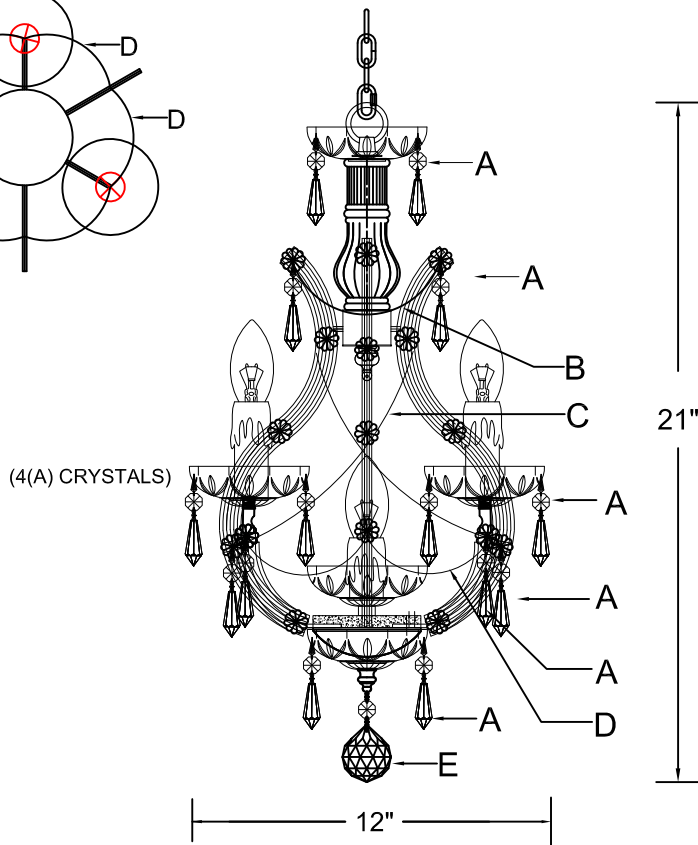
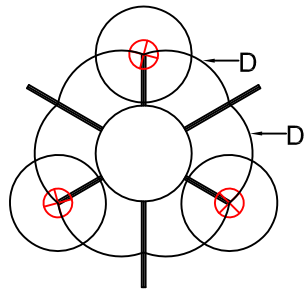
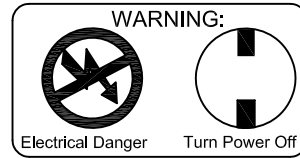


# CRYSTORAMA

LIGHTING THE WAY FOR SIXTY YEARS

ASSEMBLY INSTRUCTION MODEL #4473-GD-CL-MWP



All electrical components must be installed by a licensed electrician in accordance with the National Electric Code and the appropriate local electrical codes.



You will need 4-Candelabra Base Bulb  
40 Watts Recommended 60 Watts Max  
**USE LED BULBS FOR EXTENDED USE**

The fixture is dry rated

## How to Install

1. Do a complete inventory of all parts and components before you start installing.

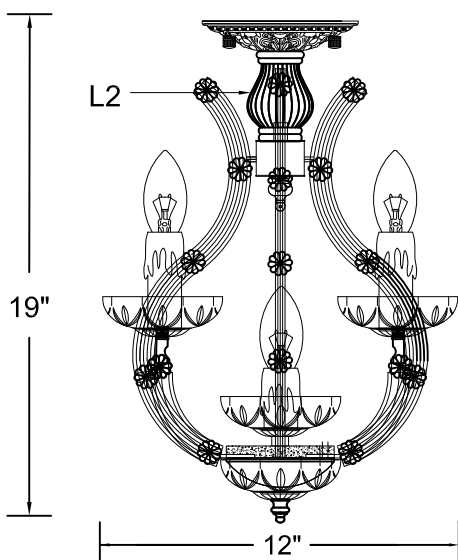
For Hanging.

2. Screw the long threaded pipe onto the top of fixture. Slide the long glass column, check ring and top dish over the glass column and secure with fixture loop.

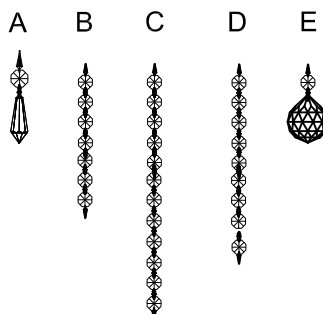
For Ceiling.

- Screw the short threaded pipe onto the top of fixture. Slide the short glass column, check ring and canopy over the glass column and secure with hex nut.
- Put the bottom dish and small metal dish over the bottom metal cover and secure with the finial
- When you begin to dress the fixture, start with packet labeled (A).
- IMPORTANT: Apply crystal sets in alphabetical order.

For Ceiling.



## DETAILED ILLUSTRATION



## Crystal Sets

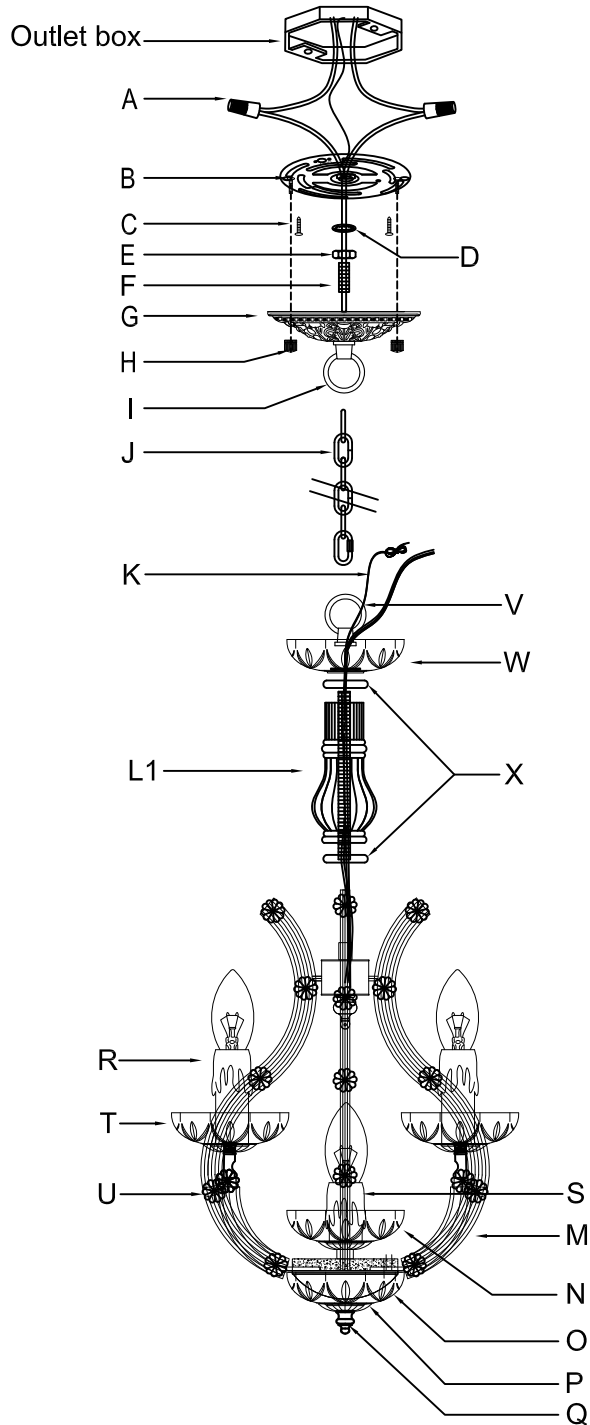
- A. 29Sets. (1)14mm + 38mm
- B. 3Sets. (7)14mm
- C. 6Sets. (12)14mm
- D. 6Sets (8)14mm
- E. 1Piece. (1)14mm + AS8-40mm Ball

**WARNING:** This product can expose you to Lead, which is known to the State of California to cause cancer and/or birth defects or reproductive harm. For more information go to [www.P65Warnings.ca.gov](http://www.P65Warnings.ca.gov)

# CRYSTORAMA

LIGHTING THE WAY FOR SIXTY YEARS

PART NUMBER MODEL #4473-GD-CL-MWP



## Part Number

### Part Numbers

- A. (2)-Wire Connector
- B. (1)-Mounting Plate
- C. (2)-Outlet Box Screws
- D. (1)-Lock washer
- E. (1)-Hex Nut
- F. (1)-Nipple
- G. (1)-Canopy; w5" x h1" (XFB4430GDCAN5IN)
- H. (2)-Ball Nut (XFB4430GDBANUT)
- I. (1)-Collar Loop
- J. (1)-Chain; 72", 4mm (XFB4405GDCHA4MM)
- K. (1)-Ground Wire
- L1. (1)-Column
- L2. (1)-Shorter glass column
- M. (1)-Frame
- N. (1)-Dish; Ø4", 26mm hole (XFB4473DIBOB4IN)
- O. (1)-Bottom Dish; Ø4", 17mm hole, 4pin (XFB4473GDDIBOB4IN)
- P. (1)-Small Metal Dish
- Q. (1)-Finial (XFB4405GDFIN)
- R. (3)-Candle Sleeve; h3" (XFB4405CDL3IN)
- S. (1)-Candle Sleeve; h2" (XFB4409CDL2IN)
- T. (4)-Bobèche; Ø4", 26mm hole, 4pin (XFB4405GDBOB4IN)
- U. ( )-Rosette
- V. (1)-Fixture loop
- W. (1)-Top Dish; Ø4", 13mm hole, 4pin (XFB4473GDDIBOB4IN)
- X. (2)-Check ring

PART BAG I : Includes Parts A, C

PART BAG II : Includes Parts B, D, E, F, G, H, I

For Ceiling.

