

CRYSTORAMA

1958
 95 Cantiague Rock Road, Westbury NY 11590
 ph:516.931.9090 fax:516.931.1254
 info@crystorama.com www.crystorama.com

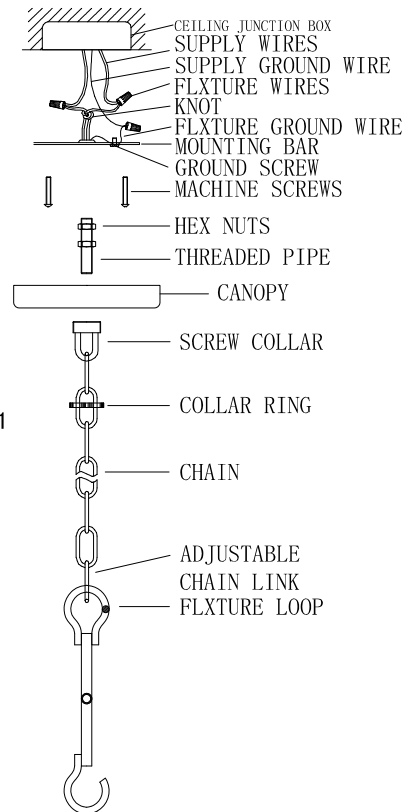
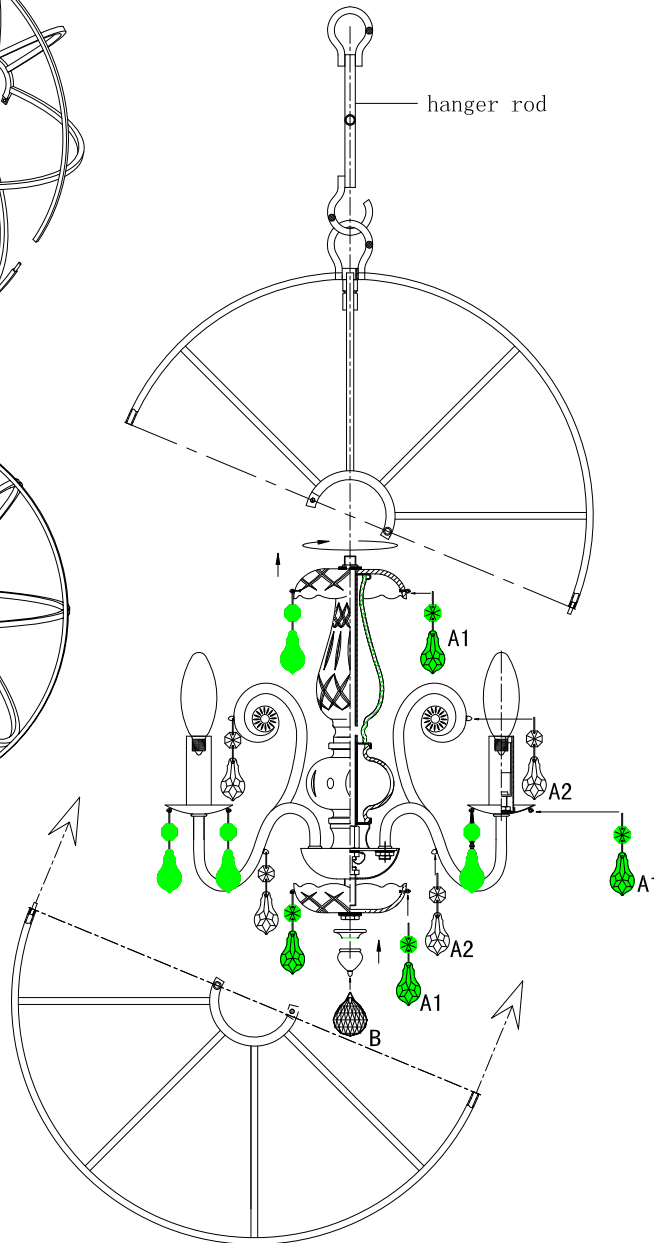
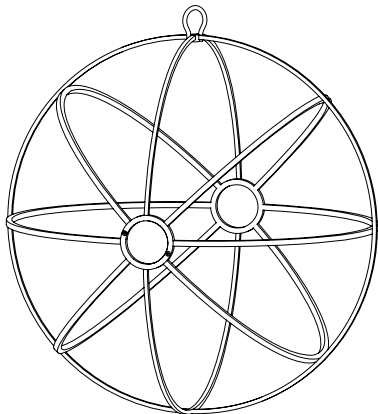
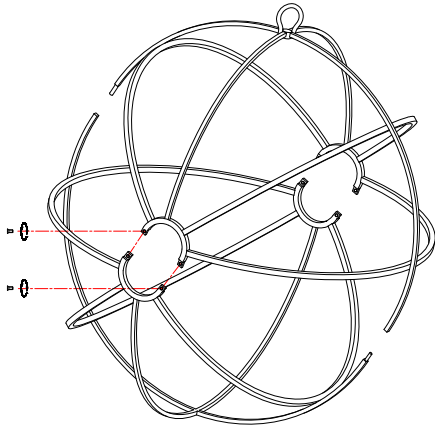
MODEL#:9025-OS-GS-MWP ASSEMBLY AND DRESSING INSTRUCTIONS



All electrical components must be installed by a licensed electrician in accordance with the National Electric Code and the appropriate local electrical codes.



You will need 4 - Cand. Bulb
 40 Watts Recommended
 60Watts Max
 Bulb not included



A1 (GS) = (1X38mm Pendant+1X14mm jewels)*24pcs

A2 (CL) = (1X38mm Pendant+1X14mm jewels)*8pcs

B (CL) = (1X30mm Ball)*1pc

2016-02-24