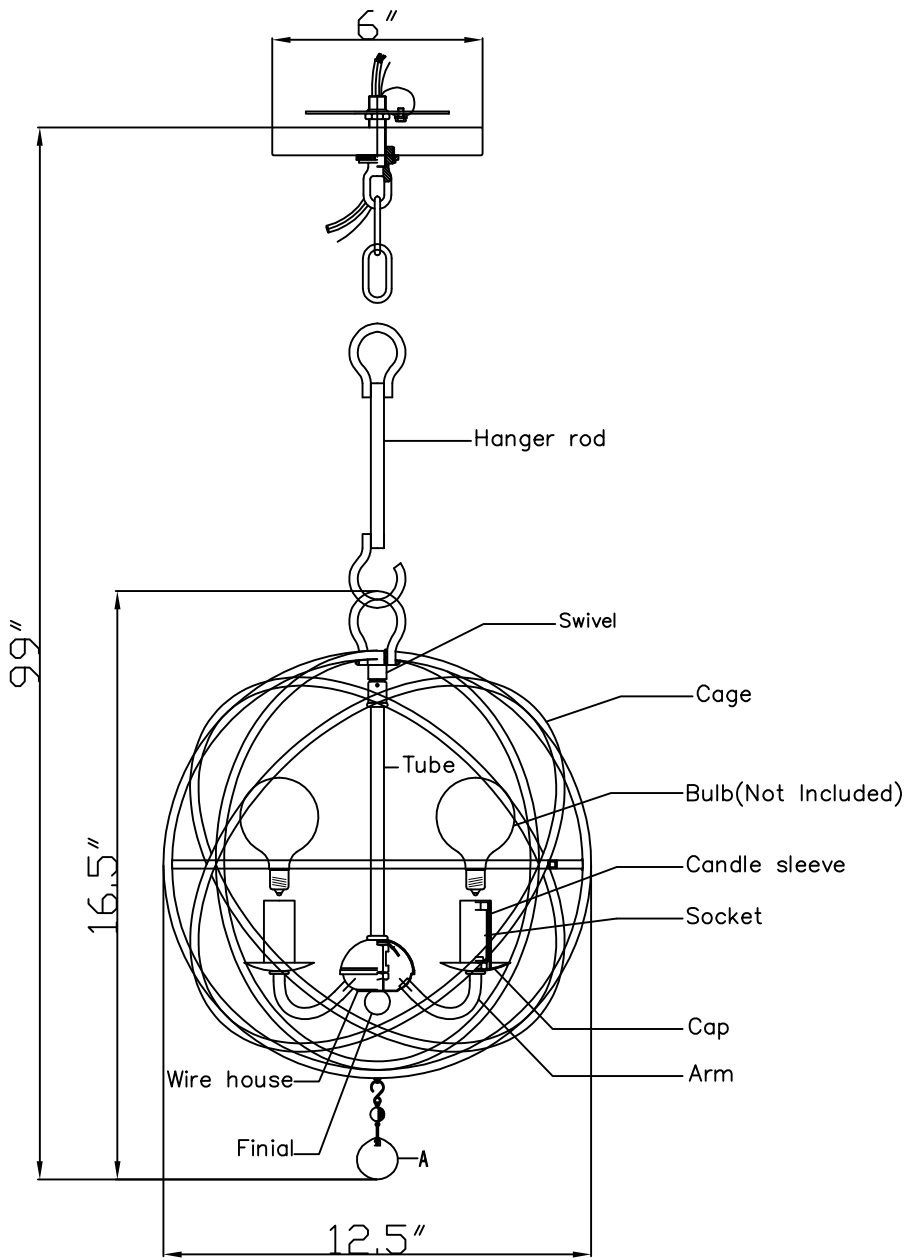


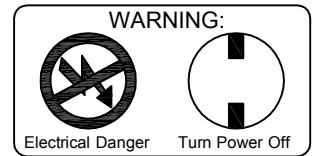
# CRYSTORAMA

LIGHTING THE WAY FOR SIXTY YEARS

ASSEMBLY INSTRUCTION MODEL #9225-BK



A = (1\*30mm Crystal + 1\*10mm ball) \* 1PC

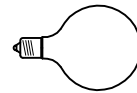


WARNING:

Electrical Danger

Turn Power Off

All electrical components must be installed by a licensed electrician in accordance with the National Electric Code and the appropriate local electrical codes.



You will need 3 - Cand. Bulb

40 Watts Recommended

60 Watts Max

USE LED BULBS FOR EXTENDED USE

This fixture is damp rated

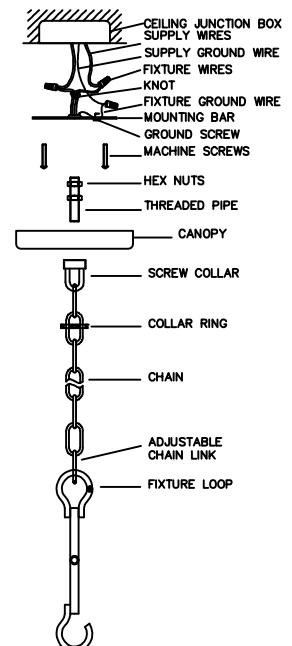
### How to Install

1. Install a bulb in each of the sockets.
2. Attach the crystal ball to the body using the hook at the end of the ball.
3. The canopy of the fixture can be mounted to the ceiling by following instruction Drawing (1).

### Crystal sets

- A. 1 piece. (1)10mm+(1)30mm.

### Drawing (1)

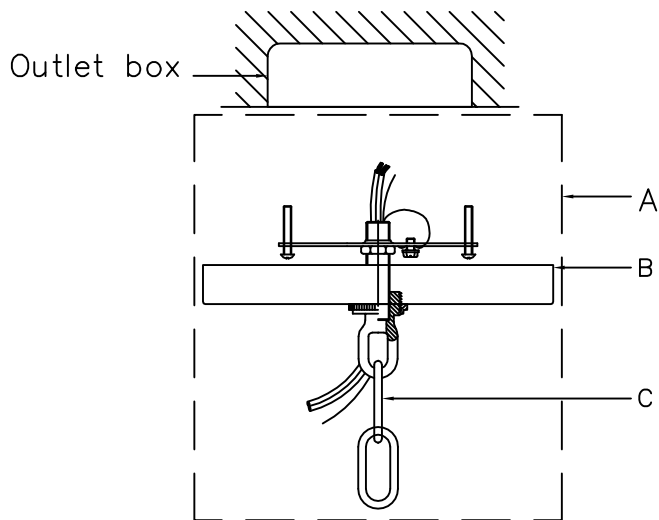


WARNING: This product can expose you to Lead, which is known to the State of California to cause cancer and/or birth defects or reproductive harm. For more information go to [www.P65Warnings.ca.gov](http://www.P65Warnings.ca.gov)

# CRYSTORAMA

LIGHTING THE WAY FOR SIXTY YEARS

PART NUMBER MODEL #9225-BK



## Part Number

### Part Numbers

- A. (1)—Mounting hardware
- B. (1)—Canopy; W6 "XH0.59" (XSU9224BKCAN6IN)
- C. (1)—Chain; 72"; 4.0mm (XSU9224BKCHA4MM)
- D. (1)—Hanger rod; 8" (XSU9224BKROD8IN)
- E. (1)—Swivel (XSU9225BKSWI)
- F. (1)—Cage
- G. (1)—Tube
- H. (3)—Bulb (Not Included)
- I. (3)—Candle sleeve;  $\phi 0.75$ " X 2" (XSU9224BKCDL2IN)
- J. (3)—Socket
- K. (3)—Cap
- L. (3)—Arm
- M. (1)—Wire house
- N. (1)—Finial (XSU9225BKFIN)

