

CRYSTORAMA

LIGHTING THE WAY FOR SIXTY YEARS



Crystorama.com

ASSEMBLY INSTRUCTION MODEL #ASP-8919-MK



All electrical components must be installed by a licensed electrician in accordance with the National Electric Code and the appropriate local electrical codes.

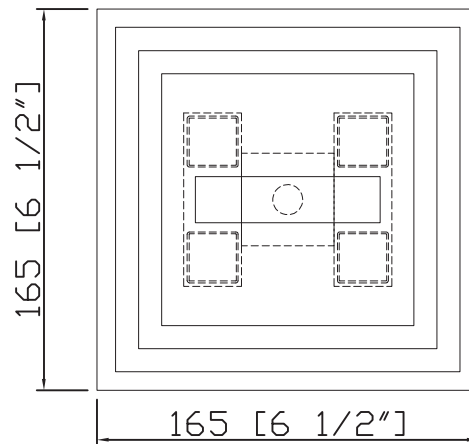
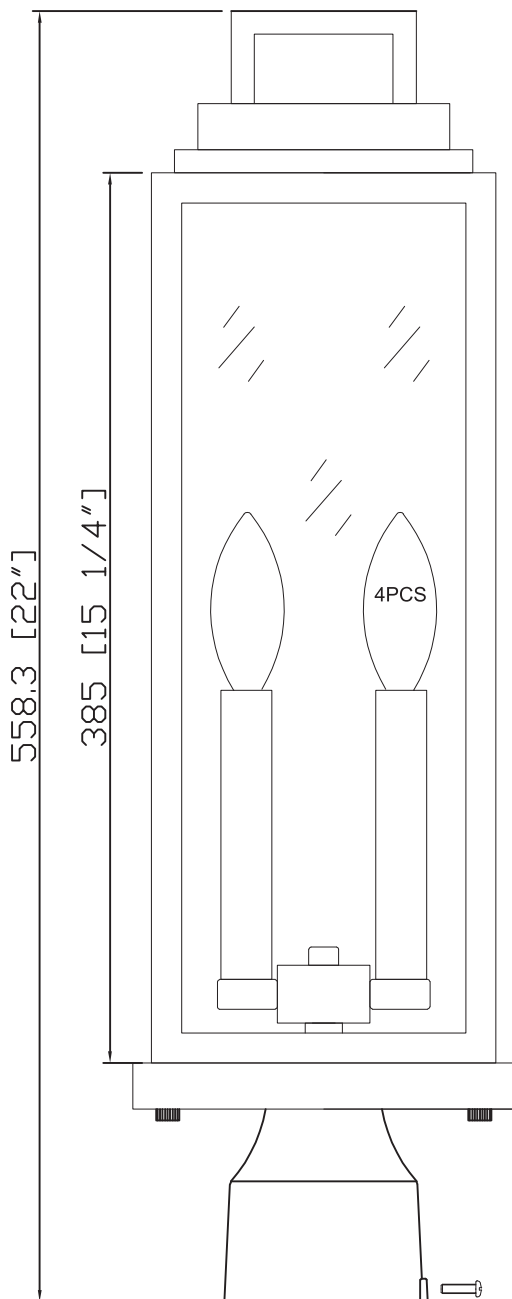


You will need 4 – Cand. Bulb
40 Watts Recommended 60 Watts Max
USE LED BULBS FOR EXTENDED USE

THIS FIXTURE IS WET RATED

How to Install

1. Install the glass panels onto the frame and secure with the clips on the bottom of frame.
2. Insert the metal cover through the bottom of the fixture and push it until the clips on the cover protrude through the holes on the top of the frame. Press firmly to secure the glass.
3. Place the candle sleeve over the socket and install the bulb onto the socket.
4. Place the frame over the light cluster and let it sit on top of the bottom cover by aligning the holes. Secure with the cap nuts.



WARNING: This product can expose you to Lead, which is known to the State of California to cause cancer and/or birth defects or reproductive harm. For more information go to www.P65Warnings.ca.gov

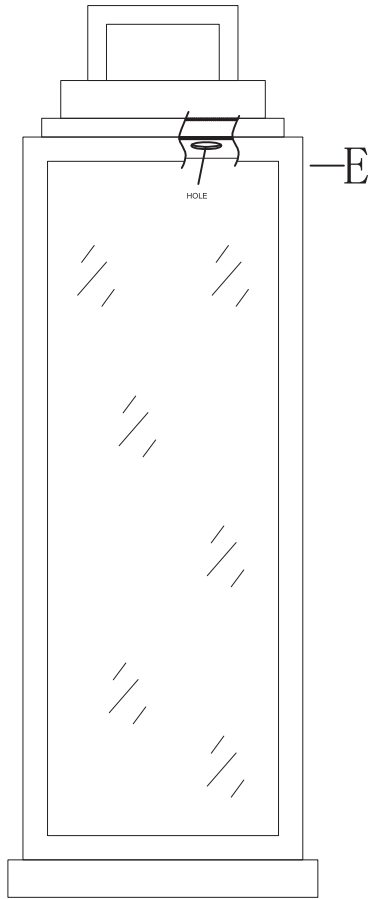
CRYSTORAMA

LIGHTING THE WAY FOR SIXTY YEARS



Crystorama.com

ASSEMBLY INSTRUCTION MODEL #ASP-8919-MK



Part Number

Part Numbers

- A. (3)-Mounting hardware
- B. (1)-Light cluster
- C. (4)-Cap nut
- D. (4)-Candle sleeve 5" White
XAR8912 WHCDL5IN
- (4)-Candle sleeve 5" Gold
XAR8912 LGCDL5IN
- E.(1)-Frame
- F. (4)-Glass panel W5.5"*H15"
XAR8912GLA5.5IN
- G.(1)-Metal Cover
- H.(3)-(Scre)ws

