

**PRODUCT SPECIFICATIONS**

Elkay 8in Centerset Exposed Deck Mount Faucet 44in Flexible Hose with 1.2 GPM Spray Head + 12in Arc Tube Spout 2in Lever Handles. Faucet has a flow rate of 1.5 GPM, and is made of Chrome-plated Brass material, with a Quarter Turn Ceramic Disc valve. Faucet requires 3 faucet holes.

<b>Mounting Type:</b>	Deck Mount
<b>Special Features:</b>	Low Flow Solid Brass Construction
<b>Spray Type:</b>	Pre Rinse
<b>Finish:</b>	Chrome (CR)
<b>Handle Type:</b>	Lever Handle
<b>Spout Reach:</b>	30"
<b>Spout Height:</b>	41-1/8"
<b>Hole Drillings:</b>	3
<b>Material:</b>	Chrome-plated Brass
<b>Valve Type:</b>	Quarter Turn Ceramic Disc
<b>Valve Connection:</b>	1/2"-14 NPT
<b>Flow Rate:</b>	1.5 GPM
<b>Faucet Hole Spread:</b>	8
<b>Spout Swing Rotation:</b>	360°
<b>Spout Type:</b>	Flexible Spout

**Special Note:** 1.2 GPM spray head



Chrome  
(CR)

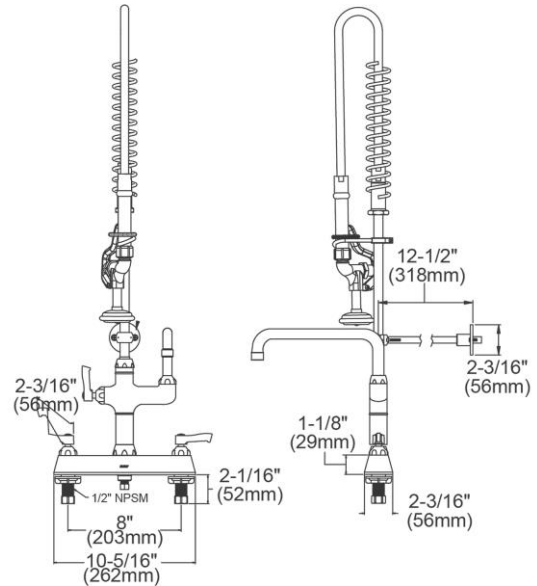


AMERICAN PRIDE. A LIFETIME TRADITION. Like your family, the Elkay family has values and traditions that endure. For almost a century, Elkay has been a family-owned and operated company, providing thousands of jobs that support our families and communities.

**Product Compliance:** ADA & ICC A117.1  
ASME A112.18.1/CSA B125.1  
NSF 61  
NSF 372 (lead free)



[Clean and Care Manual \(PDF\)](#)  
[Installation Instructions \(PDF\)](#)  
[Warranty \(PDF\)](#)



PART: \_\_\_\_\_ QTY: \_\_\_\_\_

PROJECT: \_\_\_\_\_

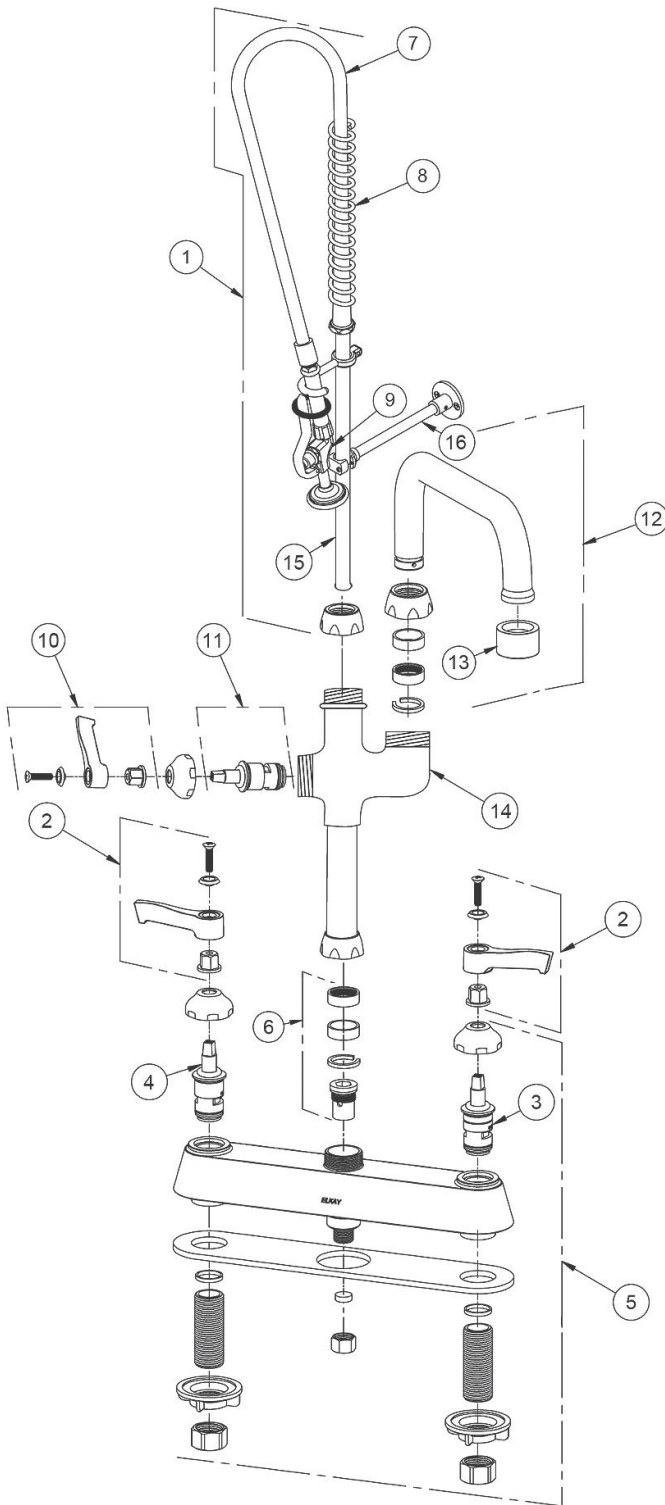
CONTACT: \_\_\_\_\_

DATE: \_\_\_\_\_

NOTES: \_\_\_\_\_

APPROVAL: \_\_\_\_\_

*In keeping with our policy of continuing product improvement, Elkay reserves the right to change product specifications without notice. Please visit [elkay.com](http://elkay.com) for the most current version of Elkay product specification sheets. This specification describes an Elkay product with design, quality, and functional benefits to the user. When making a comparison of other producers' offerings, be certain these features are not overlooked.*



ITEM	IND. PART	DESCRIPTION
1	45938C	Pre-Rinse Assembly
2	45918C	Handle, 2"
3	45923C	Right Cold Cartridge
4	45924C	Left Hot Cartridge
5	45915C	Body
6	98554C	Backflow Kit
7	45943C	44" Hose
8	45944C	Spring
9	45942C	Spray Valve
10	A55385	Handle, 2"
11	P29121NL	Cartridge
12	A55393	Spout, 12"
13	LK734	2.2 GPM VR Aerator
14	45934C	Add On Faucet Body
15	45945C	Tall Riser
16	45946C	Support Rod

*In keeping with our policy of continuing product improvement, Elkay reserves the right to change product specifications without notice. Please visit [elkay.com](http://elkay.com) for the most current version of Elkay product specification sheets. This specification describes an Elkay product with design, quality, and functional benefits to the user. When making a comparison of other producers' offerings, be certain these features are not overlooked.*