

BREWMASTER®

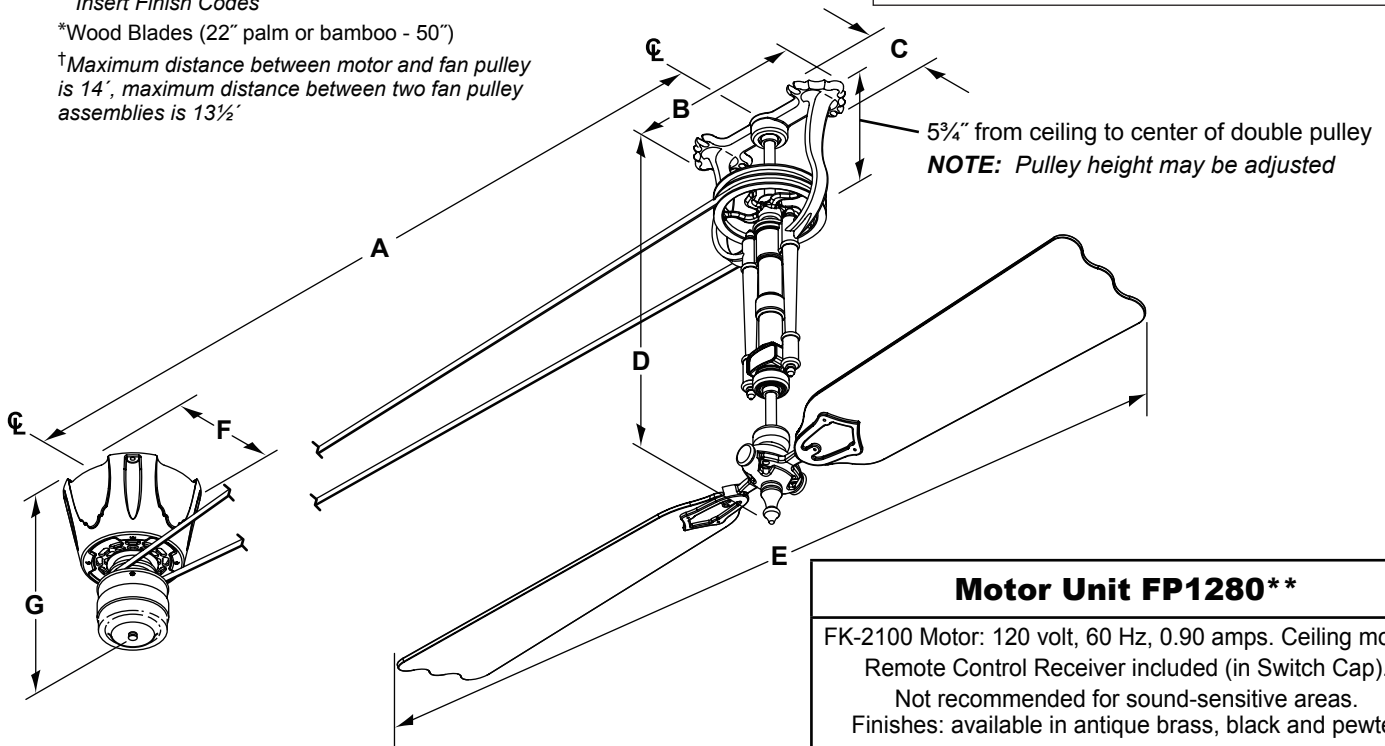
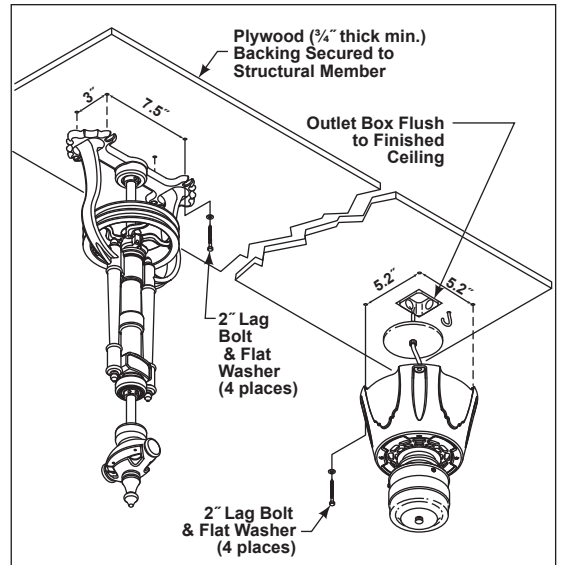
Long Neck Fan Assembly

Long Fan Assembly - FP20**		
A	Overall Length†	14' Max - 4' Min
B	Fan Base Length	12"
C	Fan Base Width	4"
D	Overall Drop	26"
E	Blade Sweep	56"*
F	Motor Base Diameter	8"
G	Motor Assembly Height	10"

**Insert Finish Codes

*Wood Blades (22" palm or bamboo - 50")

†Maximum distance between motor and fan pulley is 14', maximum distance between two fan pulley assemblies is 13½'



Motor Unit FP1280**

FK-2100 Motor: 120 volt, 60 Hz, 0.90 amps. Ceiling mount.
Remote Control Receiver included (in Switch Cap).
Not recommended for sound-sensitive areas.
Finishes: available in antique brass, black and pewter

NOTE: Motor may be mounted at either end or in the middle.

Motor Unit with Long Neck Fan Assembly			
	Fan Speed (RPM)		
	High	Medium	Low
One-FP20**	125	100	80
Two-FP20**	105	70	50
Three-FP20**	90	50	35
Four-FP20**	80	40	28

Ordering Information (Items Sold Separately)

Item	Catalog No.	Description
Long Fan Assembly	FP20**	1-long pulley assembly 30 ft. of 3/8" belt 2-traditional blade holders 2-wood blade holders 4-hardware bags
One Motor Unit	FP1280**	Three-speed, reversible 1-splice/hardware kit TR20WH remote control 1-mounting hardware bag
Blade Sets (Order Separately) See catalog or www.fanimation.com for additional blade options	FP1022	Reversible oak/walnut
	FP1026	Cherrywood
	FP1030	Rosewood (glossy)

NOTE: The RPM's are approximate and may vary by fan and application.

**Insert Finish Codes