

Eddington Outdoor Post

8219301 | 1.0

GENERATION LIGHTING POST

CAUTION - RISK OF FIRE

This product must be installed in accordance with the applicable installation code by a person familiar with the construction and operation of the product and the hazards involved.

Use minimum 90°C supply conductors.

GENERAL PRODUCT INFORMATION:

This product is safety listed for wet locations.

Incandescent version may be dimmed with a standard incandescent dimmer. LED version may be dimmed with a LED dimmer. Consult lamp manufacturer for additional information.

This instruction shows a typical installation.

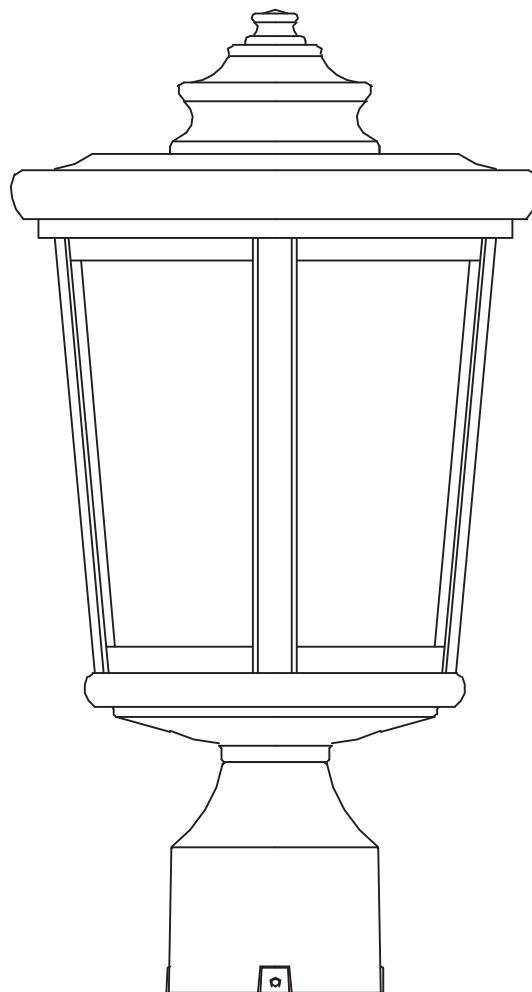
GENERATION LIGHTING

7400 Linder Ave, Skokie, IL 160077

800.969.3347

www.generationlighting.com

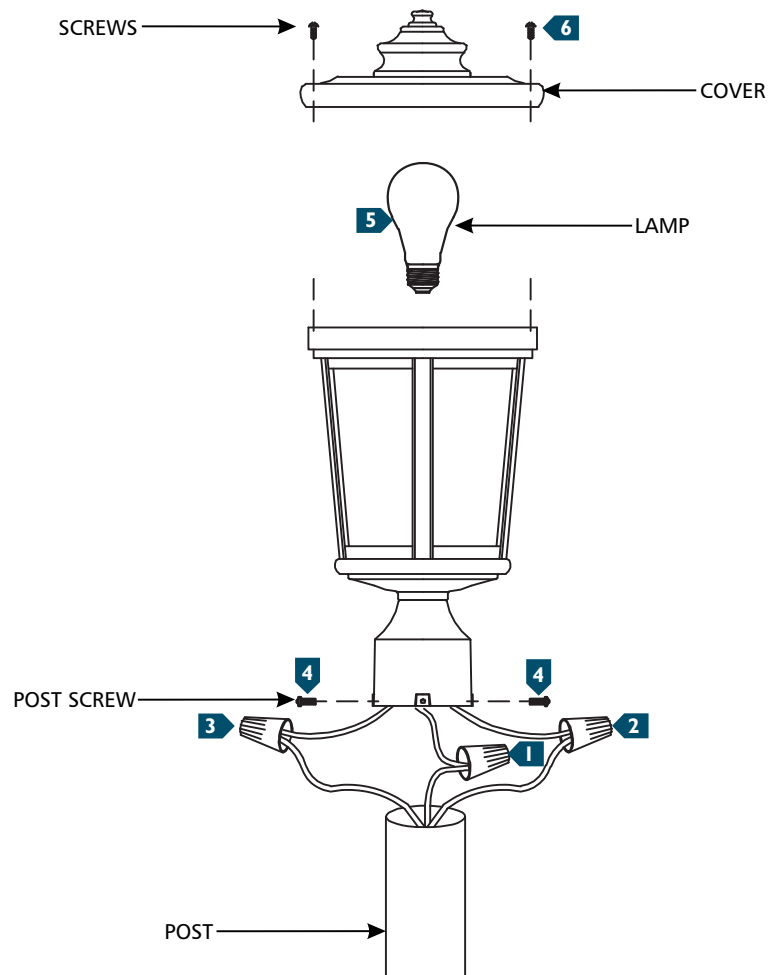
© 2020 Generation Lighting. All rights reserved.
The "Generation Lighting" graphic is a registered trademark of Generation Lighting. Generation Lighting reserves the right to change specifications for product improvements without notification.



SAVE THESE INSTRUCTIONS!

Install the Fixture

IA



- 1** Connect the fixture to a suitable ground in accordance to local electrical codes.
- 2** Connect the white fixture wire (square and/or rigid) to the neutral power line wire with a wire nut.
- 3** Connect the black fixture wire (round and/or smooth) to the hot power line wire with a wire nut.
- 4** Neatly tuck in any wiring and secure the fixture to the post with post screws.
- 5** Screw the lamp into the socket. Refer to the label on the socket for Max Wattage Information.
- 6** Place the cover onto the threaded nipple and secure it in place with the provided screws.