

**Vivenis**  
**Freestanding Tub Filler with 1.75 GPM Handshower**  
 Finishes : **brushed nickel** Part no. : **75445821**



**Description**

**Features**

- Consists of: Freestanding tub filler trim, Baton handshower, Handshower hose, Handshower holder
- spray type mixer: WaterfallStream
- spray type hand shower: Rain, Mono
- flow rate of hand shower at 3 bar: 1.75 GPM (6.6 L/Min)
- Ceramic cartridge
- diverter with automatic resetting
- Integrated double backflow prevention

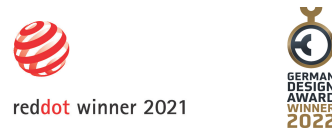
**Item details**

List Price \$ 3,300.00

**Technology**



**Design awards**



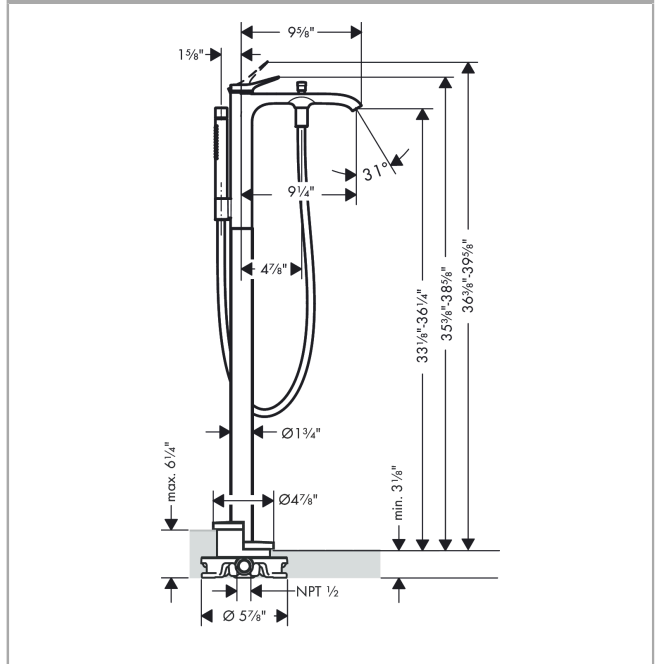
**Compliance**



**Product image**



**Scale drawing**

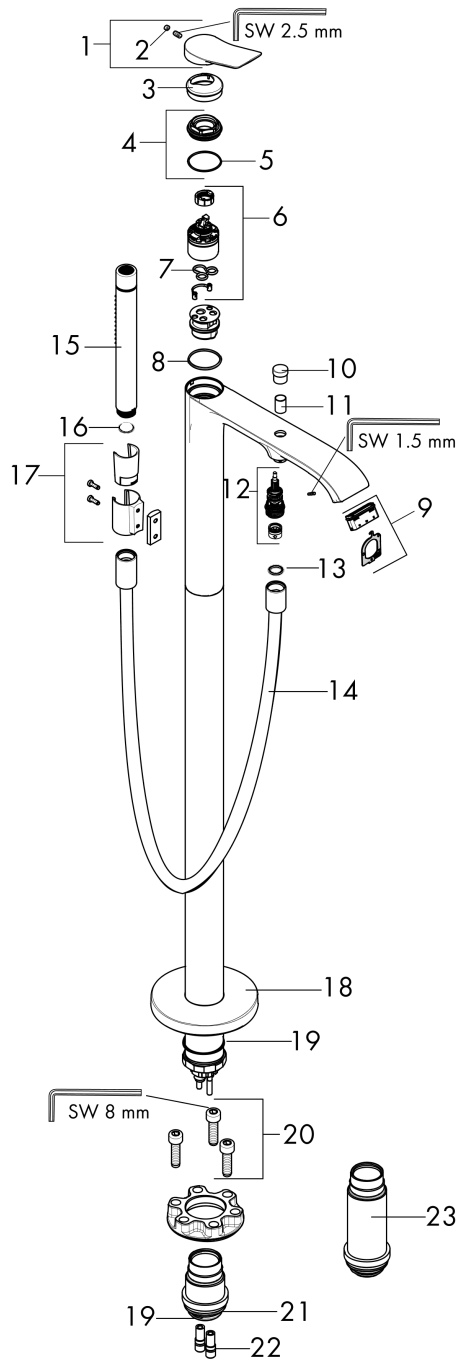


**Vivenis**  
**Freestanding Tub Filler with 1.75 GPM Handshower**  
 Finishes : **brushed nickel**    Part no. : **75445821**



Exploded drawing

Year of production: >11/21



## Vivenis

### Freestanding Tub Filler with 1.75 GPM Handshower

Finishes : **brushed nickel** Part no. : **75445821**



#### Spare parts list

Year of production: >11/21

Pos.	Description	Part no.	Price	PU
2	screw cover	93735460	-	1
4	nut	93995000	-	1
5	O-ring 35x1,5	92114000	-	1
6	cartridge, assy	93895000	-	1
7	seal	95008000	-	1
8	O-Ring 30x2	98186000	-	1
9	aerator cpl.	93916000	-	1
10	diverter knob	97981820	-	1
11	sleeve	97979820	-	1
12	selector	97978000	-	1
13	seal	98058000	-	1
14	shower hose 1,25 m	28282820	-	1
15	handshower	04486820	-	1
16	filter packing	94246000	-	1
17	shower holder, assy	96295820	-	1
19	O-ring 44x2,5	98162000	-	1
20	hexagon socket screw M10x35	97670000	-	1
21	O-ring 29x3	98371000	-	1
22	O-ring 7x2	98419000	-	1
23	extension set 60 mm	93882000	-	1