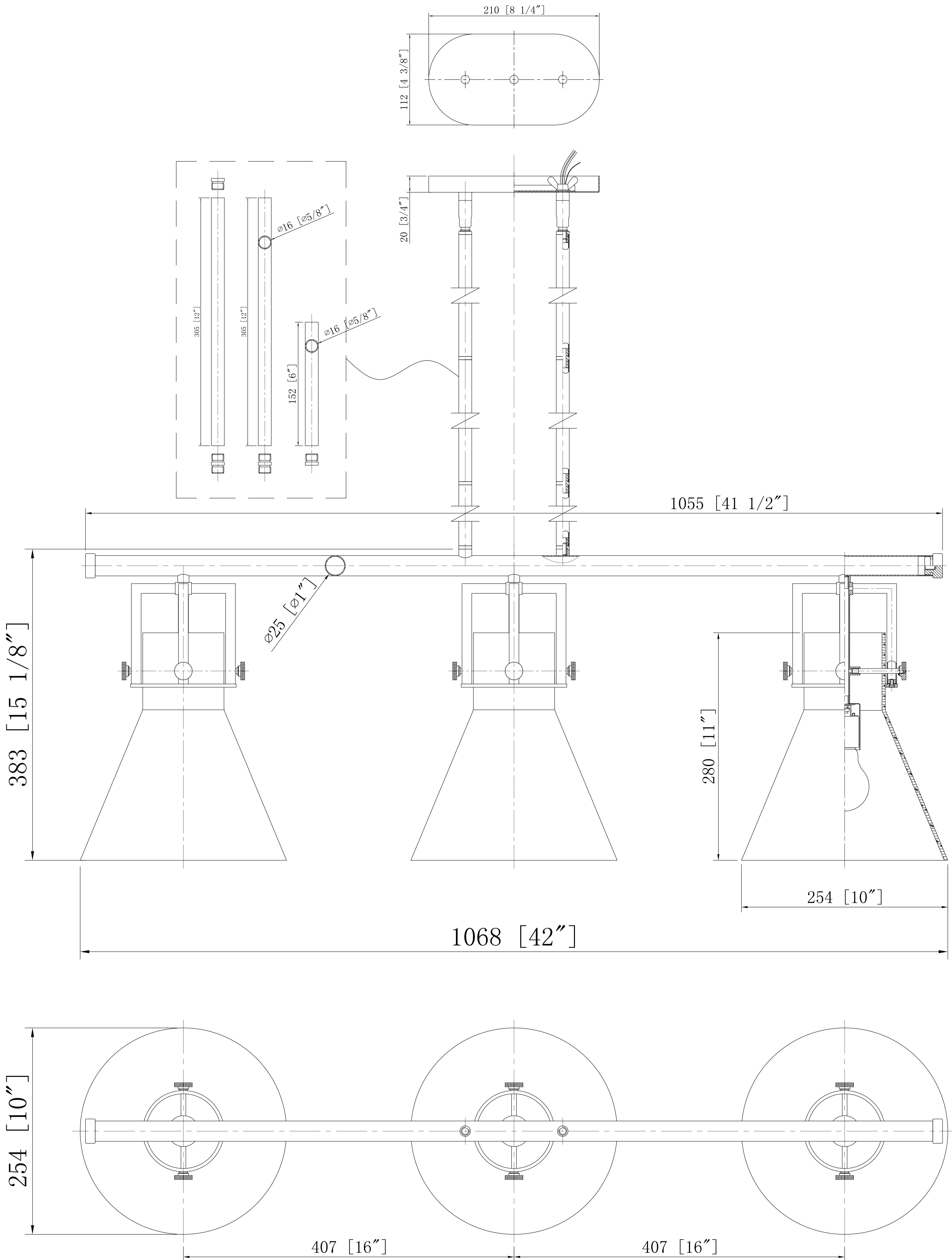


DESIGN COPYRIGHT – 12/21/2022

ALL RIGHTS RESERVED AND MAY  
NOT BE DUPLICATED WITHOUT OUR  
WRITTEN PERMISSION



**ITEM: 411-3I-10**