

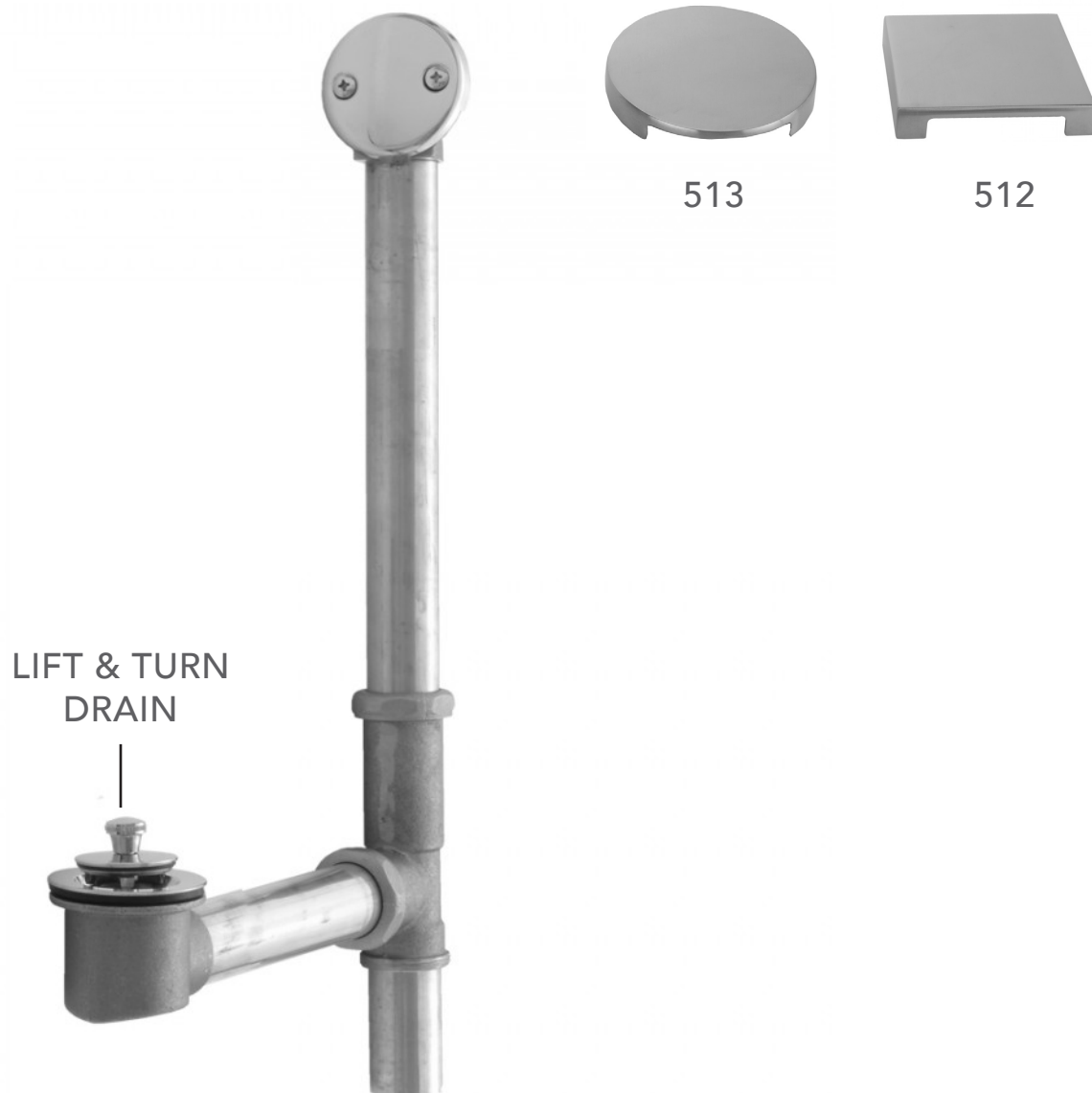
# INSTALLATION INSTRUCTIONS



Confidence from start to finish.®

## Bottom Outlet Lift & Turn Tub Wastes

Part #: 357-, 358-, 359-, 369-, 368-, 357-513, 358-513, 359-513, 369-513, 368-513, 357-512, 358-512, 359-512, 369-512, 368-512



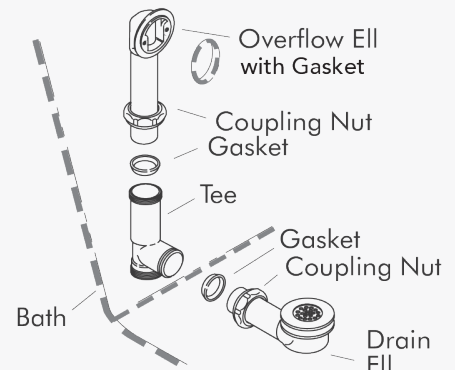
LIFT & TURN  
DRAIN

513

512

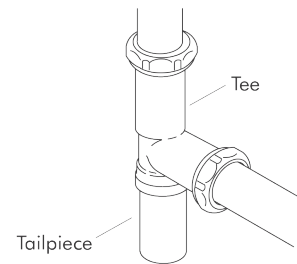
## DRAIN INSTALLATION

1. Test assemble out of tub to ensure complete understanding of placement/parts. **(FIG. 1)**
2. Remove overflow plate and drain from shoe, if pre-installed.
3. Determine lengths of overflow and shoe
  - a. Cutting overflow tube and drain shoe tube is expected (one side is threaded the other side is slip fit into tee).
  - b. Test fit



**FIG. 1**

4. Put tail piece onto tee.
5. Put tee into position. **(FIG. 2)**
6. If exposed, place box pattern escutcheon over tail piece prior to installing tee.



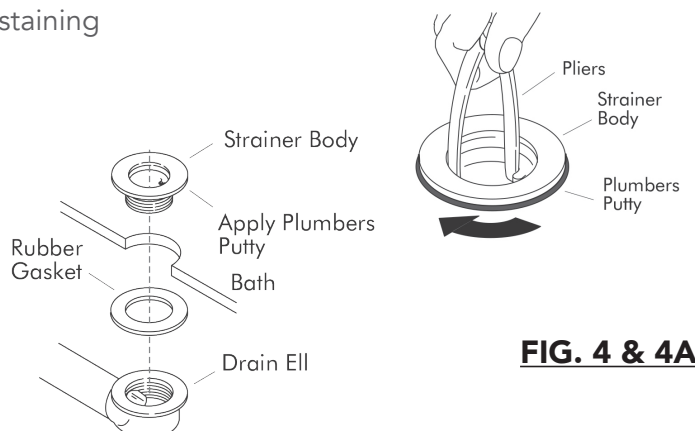
**FIG. 2**

7. Remove lift and turn top from flange by closing, holding flange and unscrewing the stopper. Place in secure area.
8. Using appropriate sealant, secure shoe to drain ell tube.
9. Slide overflow tube into tee, hand tighten and place tapered gasket onto overflow ell. **(FIG. 3)**
10. Slide drain ell tube into tee, hand tighten, then align shoe to tub drain, ensuring drain gasket is under tub.
11. Set tub into position.



**FIG. 3**

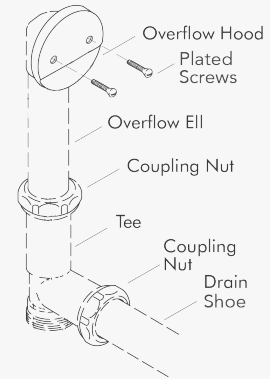
12. Install lift and turn flange onto shoe using non-staining plumbers putty.
13. Re-install lift and turn top into flange **(FIG. 4)**



**FIG. 4 & 4A**

## DRAIN INSTALLATION (CONT.)

14. Install overflow plate onto overflow **(502) (FIG. 5)**

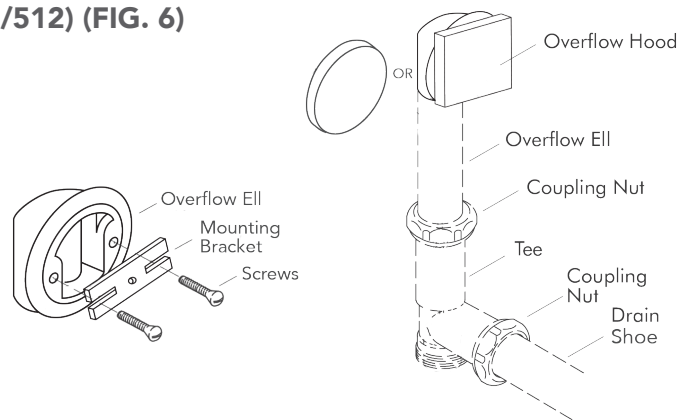


**FIG. 5**

15. Install overflow plate onto overflow **(513/512) (FIG. 6)**

16. Test for water hold and leaks

17. Tighten all connections at tee



**FIG. 6**

# Over Fifty Years of Excellence Proud to be an American Company



## CARE INSTRUCTIONS

In order to maintain the high quality finish of JACLO products, please adhere to the following product care instructions:

**Cleaning JACLO products:** For routine cleaning, simply use a soft damp cloth and common household soap, then rinse and dry. Proper care of your product is important because most water contains calcium that deposits on surfaces, forming unpleasant spots. This can be avoided by routine cleaning and drying after every use. Use only mild soap detergents. JACLO products may be periodically waxed with non abrasive compounds, such as Flitz® faucet wax.

Never use abrasive cleaners, bleach, disinfectants or cleaning products containing alcohol, ammonia, hydrochloric or phosphoric acids as they will damage the product finish.

**Please note:** Your product warranty may not be valid if the above cleaning guidelines are not followed.

## WARRANTY

**Residential Warranty:** Your new plumbing fixture is warranted by JACLO INDUSTRIES, 129 Dermody Street, Cranford, NJ 07016. This warranty is extended to original consumer purchasers only. This warranty gives you specific legal rights, and you may also have other rights which vary from state to state.

The product (including the finish on the product but excluding any custom finishes and any installation hardware not supplied by JACLO) is warranted to be free from defects in material or workmanship under normal use and service for the lifetime\* of the fixture, so long as the original consumer purchaser owns it. JACLO's sole obligation under this or any other warranty is limited to repairing or replacing at JACLO's option, without labor, any part or parts of the fixture which fail to conform to such warranty.

### JACLO WILL NOT BE LIABLE FOR ANY CONSEQUENTIAL OR INCIDENTAL DAMAGES CAUSED BY A BREACH OF THIS OR ANY OTHER WARRANTY.

Some states do not allow the exclusion of limitation of incidental or consequential damages, so the above limitation may not apply to you.

To secure warranty performance, the original consumer purchaser must have the fixture properly and professionally installed in accordance with all codes and installation instructions.

Items and actions that will void the JACLO warranty are:

- Abuse, misuse, neglect and accidental damage
- Improper cleaning, care and maintenance of the fixture
- Alteration of the fixture in any way including removal of a flow regulator/restrictor

All warranty claims must be made in accordance with the JACLO return policy (see below).

JACLO does not authorize any distributor, retailer or other person to modify this warranty or assume any liability on its behalf with respect to it. Any question regarding the operation of warranty should be addressed to JACLO's warranty department.

\*Due to the unpredictable environment, all kitchen drains, strainers and garbage disposal flanges are warranted for the period of one year from date of purchase from an authorized JACLO dealer.

Un-lacquered Brass (ULB) is a living finish and is excluded from any finish warranty.

**Commercial Warranty:** JACLO offers the above warranty for a period of one year from date of purchase to purchasers of products for industrial, commercial, business and all non-private residential uses.

