

# Multi Turn Angle Pattern 5/8" O.D. Compression (Fits 1/2" Copper) x 3/8" O.D. Faucet Supply Kit with Oval Handle, 20" Supply Tubes, Escutcheons



**Model #: 5812-62-**



## FEATURES:

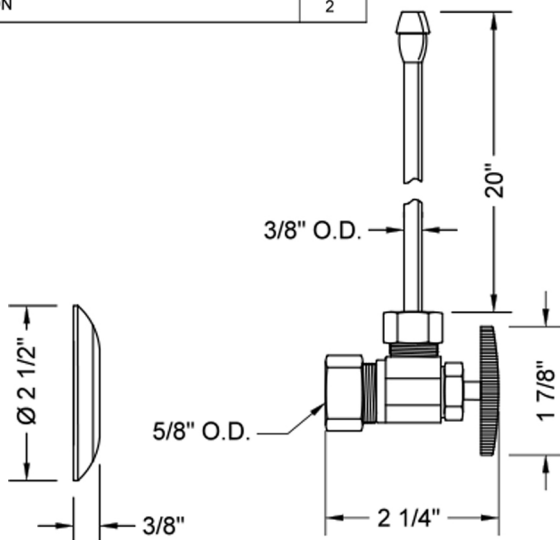
- Complete Faucet Supply Kit
- Kit contains:
  - (2) Multi Turn Angle Pattern 5/8" O.D. Compression (Fits 1/2" Copper) x 3/8" O.D. Supply Valve with Oval Handle P/N 5812
  - (2) 20" Copper Supply Tubes P/N 662
  - (2) Escutcheons P/N 7463

## AVAILABLE FINISHES:

Polished Chrome (PCH)	Satin Chrome (SC)	Satin Nickel (SN)
Polished Nickel (PN)	Antique Brass (AB)	Oil-Rubbed Bronze (ORB)
Polished Brass (PB)	Vintage Bronze (VB)	

## SPECIFICATION DRAWING:

COMPONENTS	
DESCRIPTION	QTY:
ANGLE VALVE - OVAL HANDLE	2
20" X 3/8" O.D. SUPPLY TUBE	2
ESCUTCHEON	2



## AVAILABLE HANDLES:

