

# KICHLER®

62" LED SPYRA

Product images may vary slightly from actual product.



INSTRUCTION MANUAL

# TABLE OF CONTENTS

<b>SAFETY RULES</b> .....	4	<b>INSTALLING THE GLASS SHADE</b> .....	14
<b>TOOLS AND MATERIALS REQUIRED</b> .....	5	<b>WALL CONTROL INSTALLATION</b> .....	15
<b>PACKAGE CONTENTS</b> .....	5	<b>PAIRING PROCEDURES</b> .....	16
<b>MOUNTING OPTIONS</b> .....	6	<b>USING YOUR CEILING FAN</b> .....	17
<b>HANGING THE FAN</b> .....	7	<b>TROUBLESHOOTING</b> .....	18
<b>INSTALLATION OF SAFETY SUPPORT</b> .....	9	<b>FCC WARNING</b> .....	19
<b>ATTACHING THE FAN BLADES</b> .....	12	<b>SPECIFICATIONS</b> .....	20
<b>INSTALLING THE SWITCH HOUSING</b> .....	13		
<b>INSTALLING THE LED ASSEMBLY</b> .....	13		

## SAFETY RULES

1. To reduce the risk of electric shock, insure electricity has been turned off at the circuit breaker or fuse box before beginning.
2. All wiring must be in accordance with the National Electrical Code and local electrical codes. Electrical installation should be performed by a qualified licensed electrician.
3. WARNING: Suitable for use with solid-state speed controls.
4. WARNING: To reduce the risk of personal injury, use only the two steel screws (and lock washers) provided with the outlet box for mounting to the outlet box. Most outlet boxes commonly used for the support of lighting fixtures are not acceptable for fan support and may need to be replaced, consult a qualified electrician if in doubt.

### WARNING: TO REDUCE THE RISK OF FIRE, ELECTRIC SHOCK OR PERSONAL INJURY, MOUNT FAN TO OUTLET BOX MARKED "ACCEPTABLE FOR FAN SUPPORT".

5. The outlet box and support structure must be securely mounted and capable of reliably supporting a minimum of 50 pounds. Use only CUL Listed outlet boxes marked "FOR FAN SUPPORT".
6. The fan must be mounted with a minimum of 7 feet clearance from the trailing edge of the blades to the floor.
7. Do not operate reversing switch while fan blades are in motion. Fan must be turned off and blades stopped before reversing blade direction.
8. Avoid placing objects in the path of the blades.
9. To avoid personal injury or damage to the fan and other items, be cautious when working around or cleaning the fan.

10. Do not use water or detergents when cleaning the fan or fan blades. A dry dust cloth or lightly dampened cloth will be suitable for most cleaning.
11. After making the electrical connections, spliced conductors should be turned upward and pushed carefully up into outlet box. The wires should be spread apart with the ground wire and white
12. (common) wire to one side with the black (load) wire to the other side of the outlet box.
13. Electrical diagrams are reference only. Light kits that are not packed with the fan must be CUL Listed and marked suitable for use with the model fan you are installing. Switches must be CUL General Use Switches. Refer to the Instructions packaged with the light kits and switches for proper assembly.

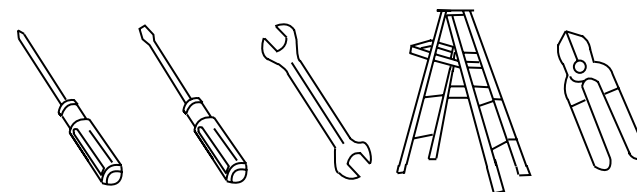
### WARNING: TO REDUCE THE RISK OF PERSONAL INJURY, DO NOT BEND THE BLADE BRACKETS (ALSO REFERRED TO AS FLANGES) DURING ASSEMBLY OR AFTER INSTALLATION. DO NOT INSERT OBJECTS IN THE PATH OF THE BLADES.

**SPECIAL NOTICE:** This appliance is equipped with a "Wattage Limiting Device" required by the United States Department of Energy. The device has been installed at the factory and can not be removed.

Installing Lamps in excess of 190 total watts will disable the unit's light fixture. If this should happen, you will need to reset the lighting fixture by turning the power off to the ceiling fan and/or light fixture, reinstalling lamps totaling less than 190 watts and then turning the power back on.

## TOOLS REQUIRED

Philips screw driver  
Blade screw driver  
11 mm wrench  
Step ladder  
Wire cutters

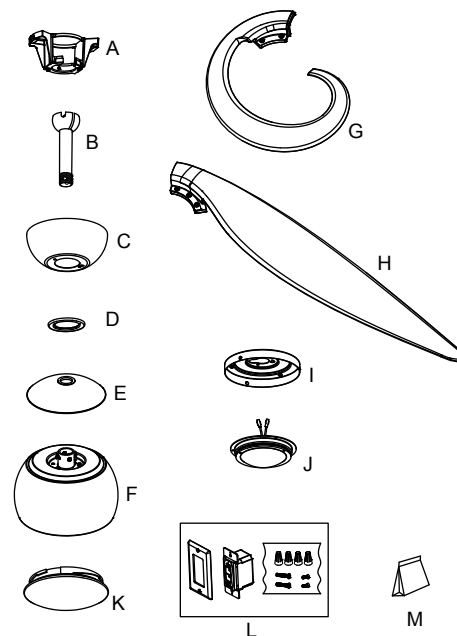


## PACKAGE CONTENTS

Unpack your fan and check the contents. You should have the following items:

- A. Mounting bracket
- B. Ball / downrod assembly (1)
- C. Canopy
- D. Canopy Hole Cover
- E. Coupling cover
- F. Motor Body
- G. Blade Trim (3)
- H. Blade (3)
- I. Switch Housing
- J. LED Assembly
- K. Glass Shade
- L. Power Kit
- M. Package hardware

- 1) Mounting hardware: Wood screws (2), flat washers (2), screws (2), Spring washers (2), wire nuts (3)
- 2) Blade attachment hardware: Screws (2)
- 3) Balance kit
- 4) Screw hardware: Screw (3)
- 5) Safety Cable Hardware: wood screw (1), Spring washer (1), Flat washer (1)



## MOUNTING OPTIONS

If there isn't an existing UL (cUL for Canadian Installation) listed mounting box, then read the following instructions. Disconnect the power by removing fuses or turning off circuit breakers.

Secure the outlet box directly to the building structure. Use appropriate fasteners and building materials. The outlet box and its support must be able to fully support the moving weight of the fan (at least 50 lbs). Do not use plastic outlet boxes.

Figures 1, 2 and 3 are examples of different ways to mount the outlet box.

**NOTE:** If you are installing the ceiling fan on a sloped (vaulted) ceiling, you may need a longer downrod to maintain proper clearance between the tip of the blade and the ceiling. A minimum clearance of 12" is suggested for optimal operation.

**NOTE:** Depending on the location you have selected for installation, you may need to purchase and install a "Joist Hanger" for the support of the outlet box. Make sure the joist hanger you purchase has been designed for use with ceiling fans. (Fig. 4)

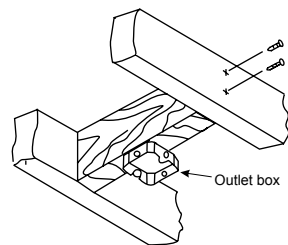


Fig. 1

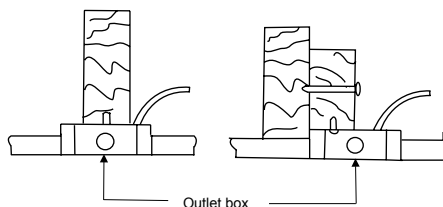


Fig. 2

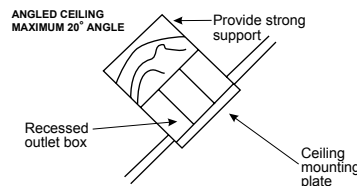


Fig. 3

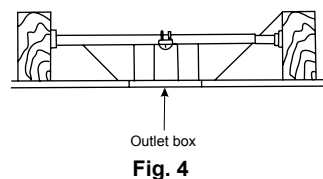


Fig. 4

## HANGING THE FAN

**REMEMBER** to turn off the power before you begin installation. This is necessary for your safety and also the proper programming of the control system.

To properly install your ceiling fan, follow the steps below.

**Step 1.** Before attaching fan to outlet box (not included), ensure the outlet box is securely fastened to at least two points to a structural ceiling member (a loose box will cause the fan to wobble). Pass the 120 volt supply wires from the ceiling outlet box through the center of the ceiling mounting bracket. Install mounting bracket to outlet box in ceiling using the screws and washers included with the outlet box or screws and washers in the hardware bag. (Fig. 5)

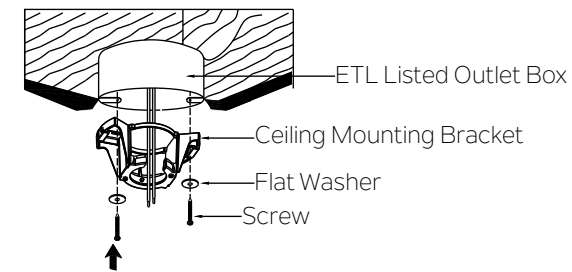


Fig. 5

**Step 2.** Remove the hanger ball from downrod assembly by loosening set screws, removing the cross pin, and sliding ball off the rod. ( Fig. 6)

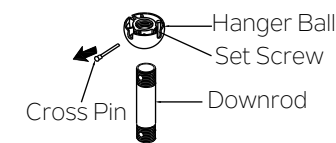


Fig. 6

## HANGING THE FAN

**Step 3.** Loosen the two set screws and remove the clip and cross pin from the top coupling of the motor body.

Carefully feed the fan wires up through the downrod. Thread the downrod onto the motor coupling until the cross pin holes are aligned. Next, replace the cross pin and clip, and tighten both set screws. (Fig. 7)

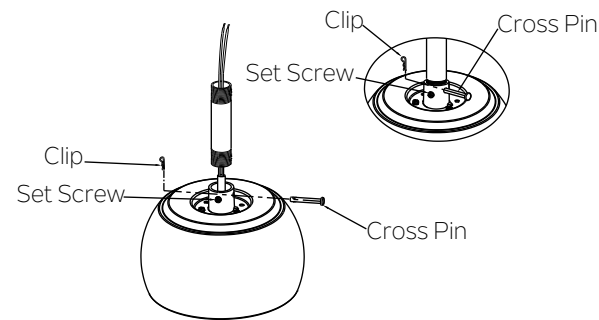


Fig. 7

**Step 4.** Slip the coupling cover, canopy hole cover and canopy onto the downrod. Carefully reinstall the hanger ball onto the downrod. Make sure the cross pin is in the correct position and the set screws are tight and the wires are not twisted. ( Fig. 8)

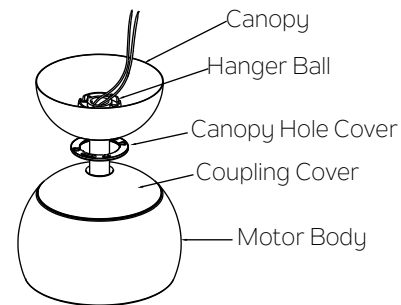


Fig. 8

## HANGING THE FAN

**Step 5.** Now lift the motor body into position and place the hanger ball into the hanger bracket. Rotate until the "Check Tab" has dropped into the "Registration Slot" and seats firmly. ( Fig. 9) The entire motor body should not rotate if this is done correctly.

**WARNING:** Failure to properly seat the "Check Tab" can damage the ceiling fan during operation.

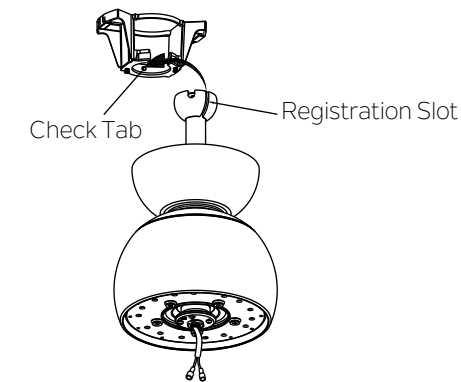


Fig. 9

## INSTALLATION OF SAFETY SUPPORT

(required for Canadian installation ONLY)

A safety support cable is provided to help prevent the ceiling fan from failing, please install it as follows.

**Step 1.** Drive a wood screw and washers into the side of the brace that holds the outlet box. Leave 3mm (1/8") of space between the support brace and the washer. (Fig. 10)

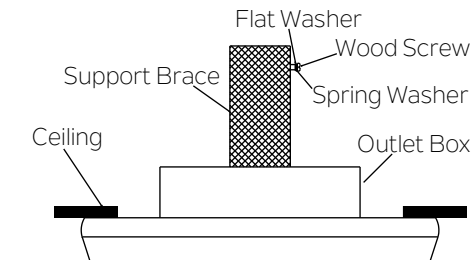


Fig. 10

## INSTALLATION OF SAFETY SUPPORT

(required for Canadian installation ONLY)

**Step 2.** Insert the safety cable through the mounting bracket and one of the holes in the outlet box into the ceiling. Adjust the length of the safety cable to reach the screw and washers by pulling the extra cable through the cable clamp until the overall length is correct, put the end of the cable back through the cable clamp, forming a loop at the end of the cable. Tighten the cable clamp securely. Now, put the loop in the end of the safety cable over the wood screw and under the washer. Tighten the wood screw securely. (Fig. 11)

**NOTE:** Although the safety support cable is required for Canadian installations only, it's a good idea to make the attachment with any installation.

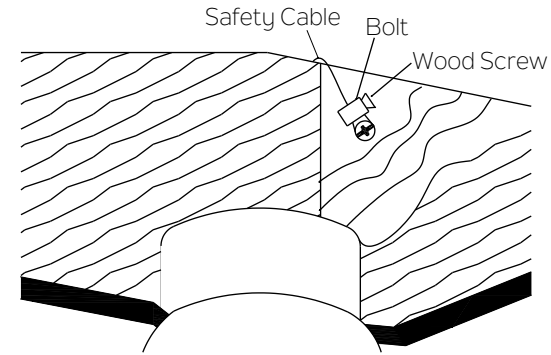


Fig. 11

## FINISHING THE INSTALLATION

**NOTE:** Before continuing, make sure the power is disconnected by turning off the circuit breaker or removing the fuse at the circuit box.

**Step 1.** Remove one of the two shoulder screws in the mounting bracket. Loosen the second shoulder screw without fully removing it. (Fig. 12)

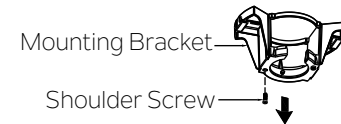


Fig. 12

## FINISHING THE INSTALLATION

**Step 2.** Assemble canopy by rotating key slot in canopy over shoulder screw in mounting bracket. Tighten shoulder screw. Fully assemble and tighten second shoulder screw that was previously removed. (Fig. 13)

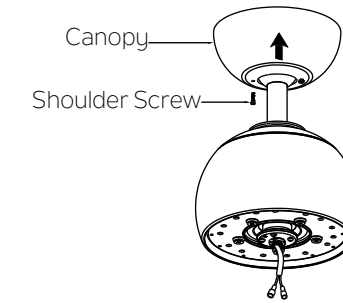


Fig. 13

**Step 3.** Securely attach and tighten the canopy hole cover over the shoulder screws in the mounting bracket utilizing the keyslot twist-lock feature. (Fig. 14)

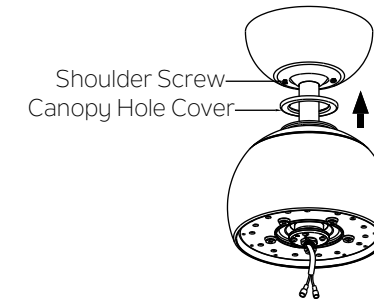


Fig. 14

## ATTACHED THE FAN BLADES

**Step 1.** Remove and discard the shipping block by removing the screw. Line up the holes in the blade trim with the holes in the bottom of the motor body (marked A-A). And tighten them with two pre-installed screws provided. Repeat steps for the remaining blade trim. (Fig. 15)

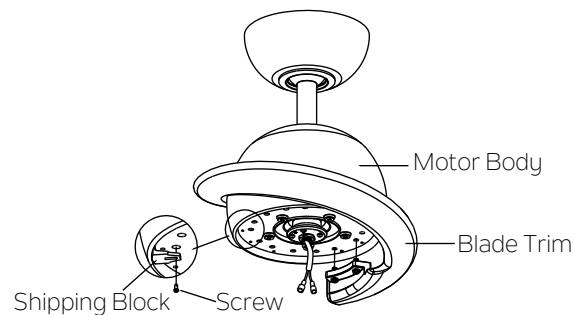


Fig. 15

**Step 2.** Line up the holes in the blade with the holes in the bottom of the motor body (marked B-B). Faster blade to the bottom of the motor body with two "preinstalled" screws provided. Repeat steps for the remaining blades. (Fig. 16)

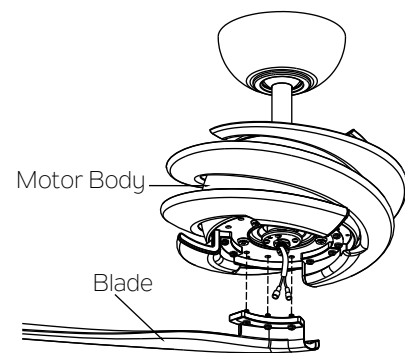


Fig. 16

## INSTALLING THE SWITCH HOUSING

**Step 1.** Remove one screw on the mounting plate, which near the red dot label and loosen the other two (do not remove). Place the two slot holes on the switch housing over the 2 screws previously loosened from the mounting plate. Rotate the switch housing until it locks in place at the narrow end of the key holes. Securely by tightening the 2 screws previously loosened and the one previously removed. (Fig. 17)

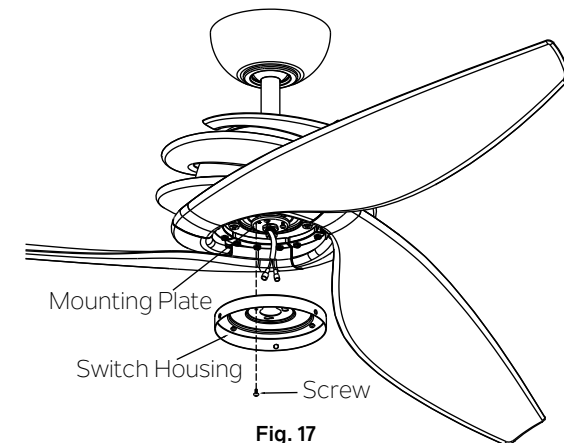


Fig. 17

## INSTALLING THE LED ASSEMBLY

**NOTE:** Before continuing, make sure the power is disconnected by turning off the circuit breaker or removing the fuse at the circuit box.

**Step 1.** Remove the three screws in the switch housing. (Fig. 18)

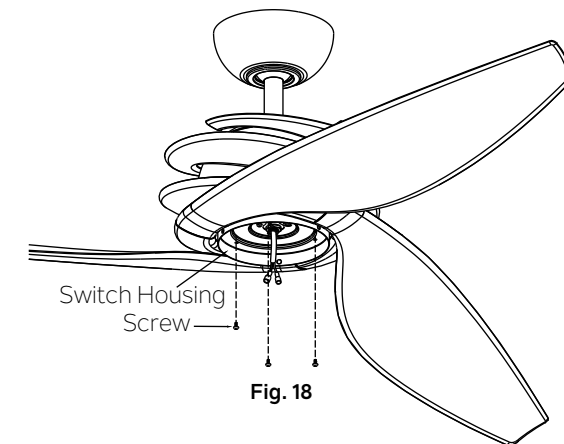


Fig. 18

## INSTALLING THE LED ASSEMBLY

**Step 2.** Connect the 2 single pin connectors from the LED assembly to the 2 single pin connectors from motor body, BLACK to BLACK, WHITE to WHITE. Assemble the LED assembly to the switch housing and tighten them by the three screws removed previously. (Fig. 19)

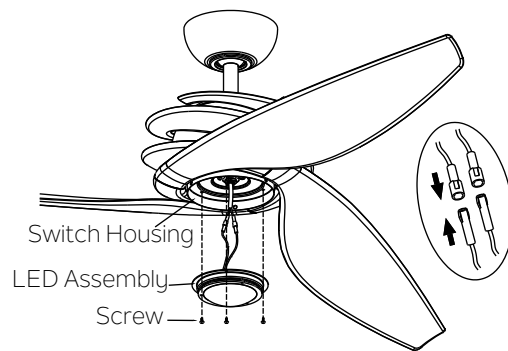


Fig. 19

## INSTALLING THE GLASS SHADE

**Step 1.** Secure the glass shade to switch housing by twisting in a clockwise direction. Do not over-tighten. (Fig. 20)

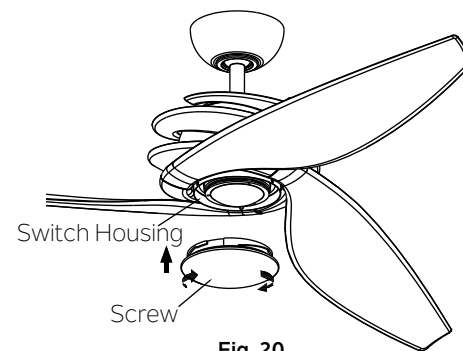


Fig. 20

## WALL CONTROL INSTALLATION

**Caution:** To reduce the risk of electrical shock, disconnect the electrical supply circuit before installing the fan, light kit or receiver.

**NOTE:** Make all wiring connections using wire connectors (supplied). Make sure that all connections are tight, including ground, and that no bare wire is visible at the wire connectors, except for the ground wire.

**Step 1.** Remove faceplate and screws from existing wall control (if present). Pull control out from the wall box. Determine the "hot" wire and "load" wire and disconnect these wires from control (Fig. 24). Do not attempt to disconnect any wires not already connected to existing control.

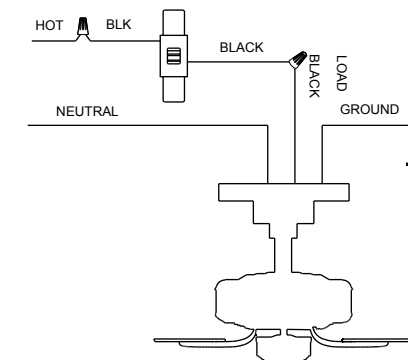


Fig. 21

**Step 2.** Before installing the wall control, place it in "OFF" mode by press the button. (higher than faceplate).

**Step 3.** Connect one black wire of wall control to the "hot" wire (house source). Securely connect wires with wire connectors supplied. (Fig. 25)

**Step 4.** Connect another black wire of wall control to the "load" (black) wire in the wall box. Securely connect wires with wire connector supplied.

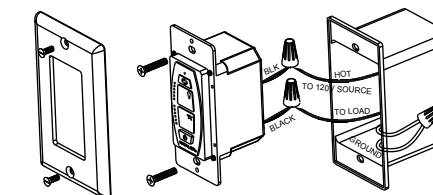


Fig. 22



## PAIRING PROCEDURES

**IMPORTANT:** Ceiling fan blades **MUST** be installed before pairing procedure can begin.

**Step 1.** Turn the wall control to "OFF" position. Restore electricity to the ceiling fan branch circuit at the circuit breaker or fuse box.

**Step 2.** Within 60 seconds of press the "⏻" switch to "ON" and then hold the "🌀" button for 3 to 5 seconds, light will blink twice. The remote will now be programmed to your fan and ready for use.

**IMPORTANT:** Do not interrupt the conditioning until the fan comes to a complete stop in approximately 5 minutes. All functions of the control will be rejected during conditioning.

**Step 3.** Try different speed setting on wall control to ensure the fan is now fully functional. If programming is unsuccessful, retry the process starting from step 1 again.

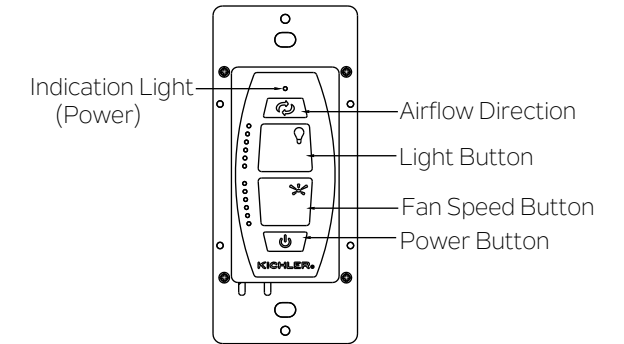
## USING YOUR CEILING FAN

Press the "⏻" button once to turn ON (or OFF) the fan. (Fig. 26)

To set the desired fan speed, press and hold the "🌀" button to decrease and increase the speed. (Fig. 26)

To turn the light on and off, press and release the light "💡" button. To set the light intensity, press and hold the light button. The light will turn on at the light intensity previously selected. (Fig. 26)

If airflow is desired in the opposite direction, press the "🌀" button. The fan must be operating at any speed for the reverse button to function. The blades will turn in the opposite direction and reverse the airflow. (Fig. 26)



**Fig. 23**

## TROUBLESHOOTING

Problem	Solution
Fan will not start.	<ol style="list-style-type: none"><li>1. Check circuit fuses or breakers.</li><li>2. Check all electrical connections to insure proper contact. CAUTION: Make sure the main power is OFF when checking any electrical connection.</li><li>3. Make sure the transmitter batteries are installed properly. Positive (+) side facing out.</li><li>4. Insure the batteries have a good charge.</li></ol>
Fan sounds noisy.	<ol style="list-style-type: none"><li>1. Make sure all motor housing screws are snug.</li><li>2. Make sure the screws that attach the fan blade brackets to the motor are tight.</li><li>3. Make sure wire nut connections are not rubbing against each other or the interior wall of the switch housing. CAUTION: Make sure main power is off.</li><li>4. Allow a 24-hour "breaking-in" period. Most noise associated with a new fan disappear during this time.</li><li>5. If using an optional light kit, make sure the screws securing the glassware are tight. Make sure the light bulbs are not touching any other component.</li><li>6. Do not connect this fan to a wall mounted variable speed control(s). They are not compatible with ceiling fan motors or remote controls.</li><li>7. Make sure the upper canopy is a short distance from the ceiling. It should not touch the ceiling.</li></ol>
Fan wobble.	<ol style="list-style-type: none"><li>1. Check that all blade and blade arm screws are secure.</li><li>2. Most fan wobbling problems are caused when blade levels are unequal. Check this level by selecting a point on the ceiling above the tip of one of the blades. Measure this distance. Rotate the fan until the next blade is positioned for measurement. Repeat for each blade. The distance deviation should be equal within 1/8".</li><li>3. Use the enclosed Blade Balancing Kit if the blade wobble is still noticeable.</li><li>4. If the blade wobble is still noticeable, interchanging two adjacent (side by side) blades can redistribute the weight and possibly result in smoother operation.</li></ol>
Remote control malfunction.	<ol style="list-style-type: none"><li>1. Ceiling Fans with remote control systems CAN NOT be operated in conjunction with any other CONTROL system EXCEPT a basic On/Off wall switch, if desired.</li></ol>

## FCC WARNING

This device complies with part 15 of the FCC Rules. Operation is subject to the following two conditions:

(1) This device may not cause harmful interference, and (2) this device must accept any interference received, including interference that may cause undesired operation.

Changes or modifications not expressly approved by the party responsible for compliance could void the user's authority to operate the equipment.

**NOTE:** This equipment has been tested and found to comply with the limits for a Class B digital device, pursuant to part 15 of the FCC Rules. These limits are designed to provide reasonable protection against harmful interference in a residential installatio. This equipment generates, uses and can radiate radio frequency energy and, if not installed and used in accordance with the instructions, may cause harmful interference to radio communications. However, there is no guarantee that interference will not occur in a particular installation. If this equipment does cause harmful interference to radio or television reception, which can be determined by turning the equipment off and on, the user is encouraged to try to correct the interference by one or more of the following measures:

Reorient or relocate teh receiving antenna, increase the separation between the equipment and receiver, and connect the equipment into an outlet on a circuit different from that no which the fan is connected.

## SPECIFITIONS

Fan Size	Speed	Volts	Amps	Watts	RPM	CFM	CFM/W	N.W.	G.W.	C.F.
<b>62"</b> <b>(300700)</b>	High	120	0.45	32.12	115	7,200	224	10.5kgs	11.9kgs	2.98
	Med		0.22	14.97	90	5,687	380			
	Low		0.07	3.22	50	3,021	938			

These are approximate measures. They do not included data for any lamps or fixtures attached to the ceiling fan.

# KICHLER®

[www.kichler.com](http://www.kichler.com)

**KICHLER® LIGHTING**

**7711 EAST PLEASANT VALLEY ROAD P.O. BOX 318010**

**CLEVELAND, OHIO 44131-8010**

**CUSTOMER SERVICE 866.558.5706**

**8:30 AM TO 5:00 PM EST, MONDAY - FRIDAY**