

LED Vanity Lamp

VL10323
INSTALLATION SHEET

START FROM HERE

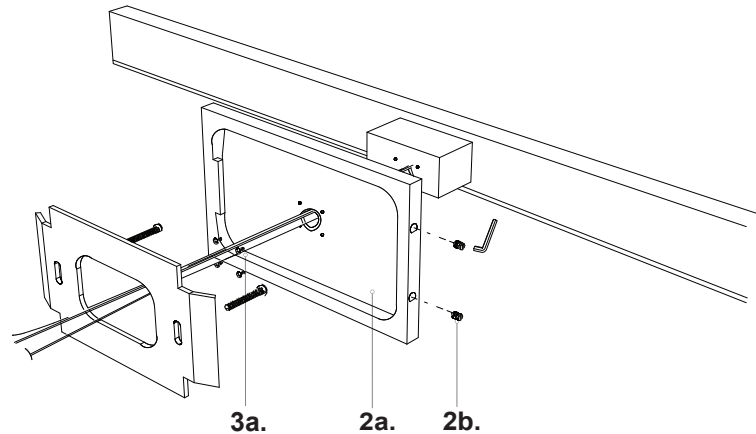
- Make sure power is completely off at the fuse box.
- Have your fixture installed by a qualified licensed electrician
- Prepare everything in a clear area.
- Wear gloves at all times during this installation.
- Read instructions carefully before you start assembly.
- Keep this instruction sheet for future reference.

Technical Support: 1-855-855-8926

Please Note:

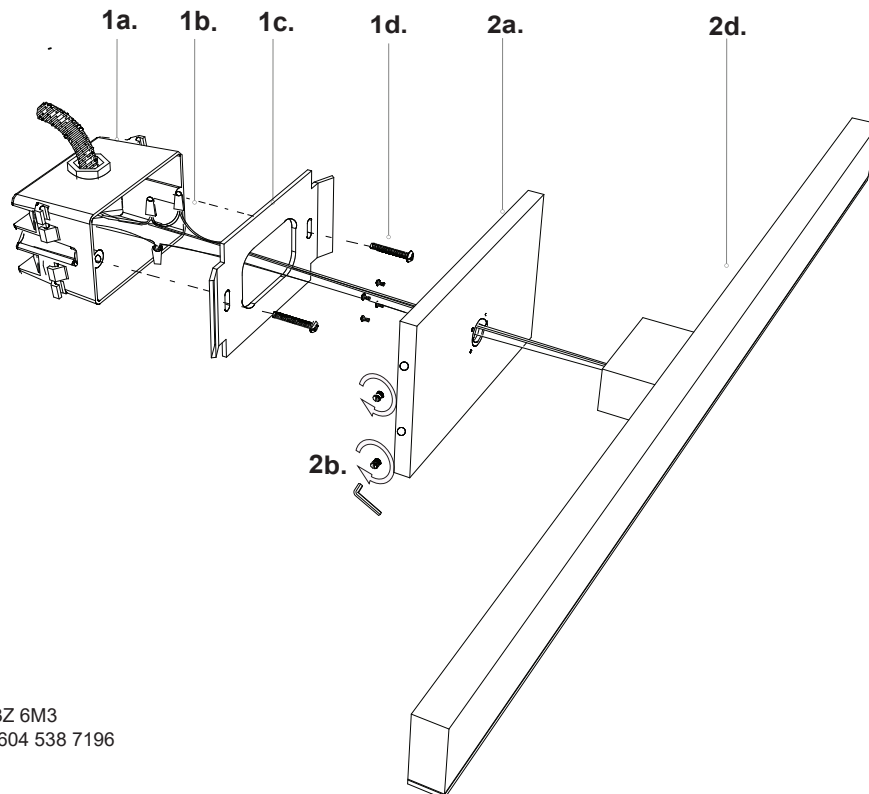
- All Kuzco LED fixtures come with pre-wired LED module(s).
- Unless instructed to do so, please do not touch any part of the LED module(s) as any unnecessary contact with the module could cause permanent damage.
- For dimming, an ELV (Electronic Low Voltage) type of dimmer is required.

- 1.** With the fixture removed from its original packaging (see reverse side of this sheet), secure the canopy (**2a**) to the fixture (**2d**) using the four screws (**3a**). See **Illustration_01**.
- 2.** Attach the mounting plate (**1c**) to the gang box (**1a**) using screws (**1d**). Connect all wiring with the provided wire nuts (**1b**) (white to white "N", black to black "L", ground to ground "G"). Using the set screws (**2b**) secure the canopy backplate (**2a**) to the anchor plate turning clockwise until secure.
- 3.** You have now completed the installation of your fixture, please enjoy.



illustration_01

- Backplate for Single Gang Box is Optional (SOLD SEPARATELY)



KUZCO

19054 28th Avenue Surrey, BC Canada V3Z 6M3
T: 604 538 7162 TF: 1-855 85 KUZCO F: 604 538 7196
W: kuzcolighting.com
20181127

LED Vanity Lamp

VL10323
INSTALLATION SHEET

START FROM HERE

- Make sure power is completely off at the fuse box.
- Have your fixture installed by a qualified licensed electrician
- Prepare everything in a clear area.
- Wear gloves at all times during this installation.
- Read instructions carefully before you start assembly.
- Keep this instruction sheet for future reference.

Technical Support: 1-855-855-8926

Please Note:

- All Kuzco LED fixtures come with pre-wired LED module(s).
- Unless instructed to do so, please do not touch any part of the LED module(s) as any unnecessary contact with the module could cause permanent damage.
- For dimming, an ELV (Electronic Low Voltage) type of dimmer is required.

- 1.** Remove the fixture from its original packaging. Remove the mounting plate (1c) and anchor plate (2a) from within the canopy (2c) and attach the mounting plate (1c) to the electrical junction box (1a), using the two screws (1d) provided in the hardware package.
- 2.** Connect all wiring with the provided wire nuts (1b) (white to white "N", black to black "L", ground to ground "G"). Now connect the anchor plate (2a) to the mounting plate (1c) using the screws (2b) provided. Now push the canopy backplate (2c) onto the anchor plate (2a). Using the set screws (2d) thread the canopy backplate to the anchor plate turning clockwise until secure.
- 3.** You have now completed the installation of your fixture, please enjoy.

NOTE: if you plan using the narrow profile mounting plate for a single gang box remove the four screws (3a) from the canopy (2c) and follow instructions on the backside of this sheet (see Illustration 01).

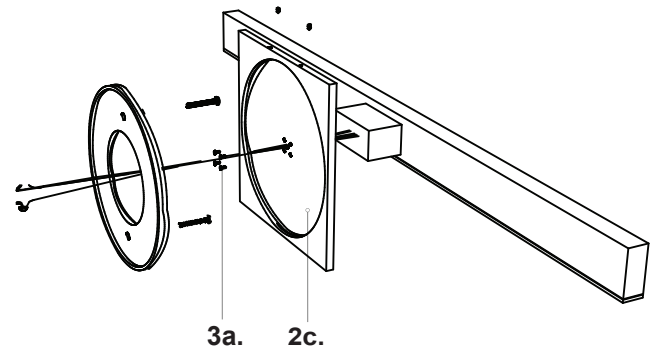
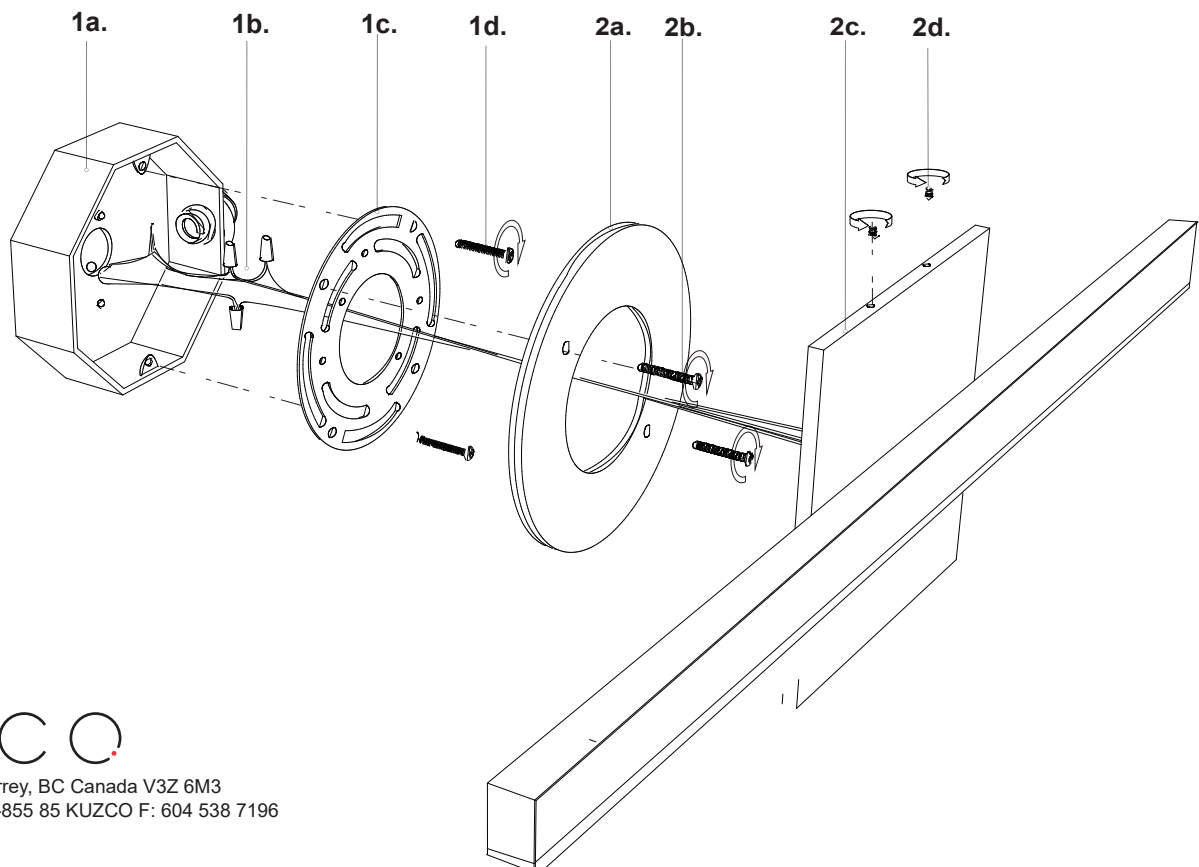


Illustration 01



KUZCO

19054 28th Avenue Surrey, BC Canada V3Z 6M3
T: 604 538 7162 TF: 1-855 85 KUZCO F: 604 538 7196
W: kuzcolighting.com
20181127