



ASSEMBLING & INSTALLATION INSTRUCTIONS

The drawing shown may not exactly match the product enclosed. However, the installation instructions do apply to this product.

45918

- ◆ **WARNING! SHUT POWER OFF AT FUSE OR CIRCUIT BREAKER.**
- ◆ **ATTENTION! COUPER LE COURANT AU FUSIBLE OU UN DISJONCTEUR.**

ASSEMBLING THE FIXTURE (Fig.1)

1. Shut off the power at the circuit breaker box. Remove old fixture and all hardware from Junction Box.
2. Carefully unpack your new fixture and lay out all the parts on a clear area. Take care not to lose any small parts necessary for installation.
3. Determine the desired hanging height. Slide the electrical wires through the pipe(C)/(B)/(A). Raise the pipe(C) to top pipe thread of lamp body(D), by turning it clockwise until tight. Raise the pipe(A)/(B) onto the end of pipe(C), by turning it clockwise until tight.
4. Attach the canopy onto the pipe thread, lock it securely with the lock washer and hex nuts.
5. Thread the two mounting screws into the pre-drilled holes in the Mounting plate spaced the same distance apart as the holes in the canopy.
6. By measuring, determine correct distance hole in mounting plate, then drilled two holes(by measuring distance hole) in the ceiling at junction box of side; raise the plastic anchor insert the hole. Attach the mounting plate to the junction box with two junction box screws and two wood screws, tighten screws securely with screwdriver. The side of the mounting plate marked "GND" must face out. **The junction box is not included.**
7. While holding the fixture body towards the ceiling, connect the electrical wires as Shown in Fig.2, making sure that all wire nuts are secured. You may have to wrap the connections with electrical tape. If your outlet has a ground wire (green or bare copper), connect the fixture ground wire to it. Otherwise connect fixture's ground wire directly to the Mounting plate with the green screw provided. After wires are connected, tuck them carefully inside the Junction Box.
8. Raise the canopy onto the Junction box, aligning the mounting screws with mounting hole in canopy and lock it securely with the column nut until tight.
9. Install the light bulbs(Not included) in accordance with the fixture's specifications. **NOTE: DO NOT EXCEED THE SPECIFIED WATTAGE!**

Your installation is now complete. Return power to the junction box and test the fixture.

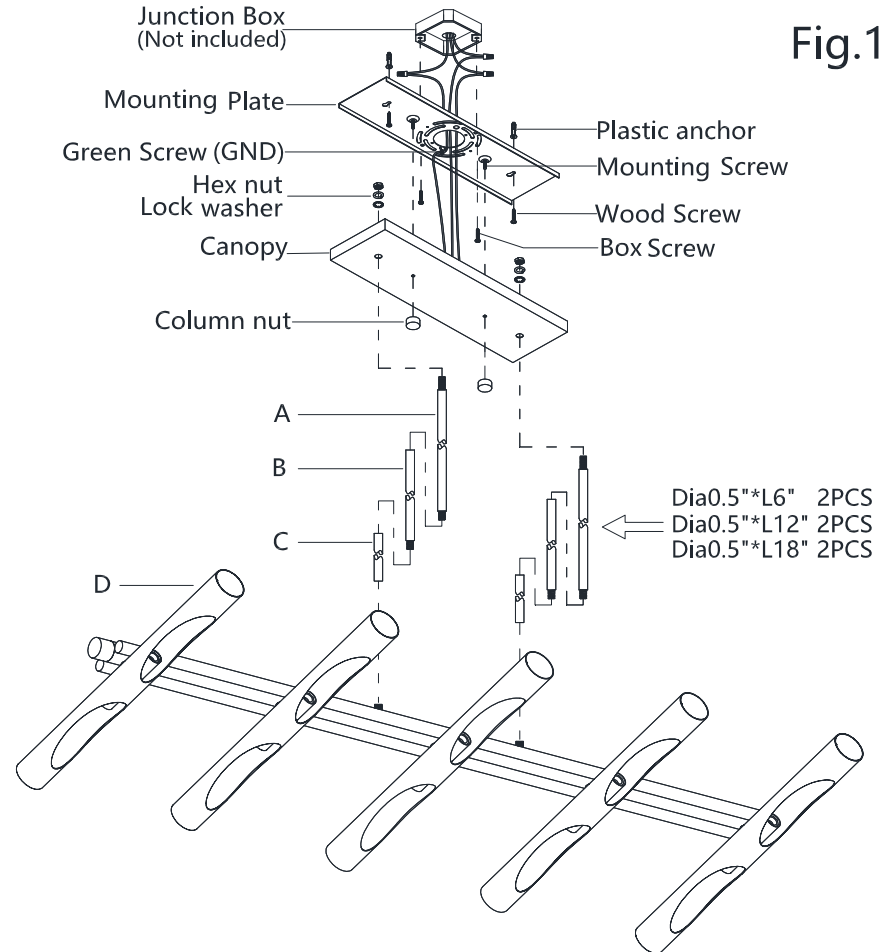
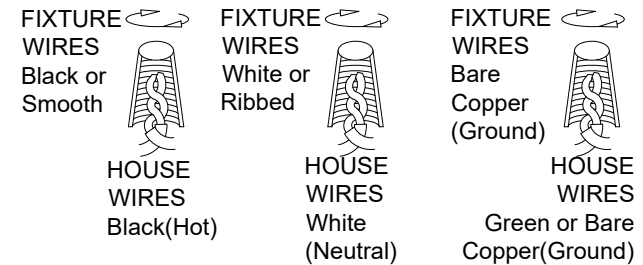


Fig.1

FIG.2



Thank you for purchasing a **LIVEX** product.
 Need assistance with parts or assembly? Please call customer service at: **800-761-8056**
 Or visit us online at: WWW.LIVEXLIGHTING.COM