



ASSEMBLING & INSTALLATION INSTRUCTIONS

The drawing shown may not exactly match the product enclosed.
However, the installation instructions do apply to this product.

49214 49216

- ◆ **WARNING! SHUT POWER OFF AT FUSE OR CIRCUIT BREAKER.**
- ◆ **ATTENTION! COUPER LE COURANT AU FUSIBLE OU UN DISJONCTEUR.**

ASSEMBLING THE FIXTURE (Fig.1)

1. Shut off the power at the circuit breaker box. Remove old fixture and all hardware from Junction Box.
2. Carefully unpack your new fixture and lay out all the parts on a clear area. Take care not to lose any small parts necessary for installation.
3. Raise the end of pipe thread (C) into the coupling, lock it with the hex nut until tight. Raise the other end of pipe thread (C) into single bar (D), place lock washer (B) over the end of thread protruding through single bar and lock it securely with the hex nut (A).
4. Determine the desired hanging height. Slide the electrical wires through the pipe thread (L)/tube (K)/tube (J)/(I)/(G)/ring (H)/canopy (F) and assembled single bar (D).
5. Raise the pipe thread (L) to the center coupling of the lamp body (M), lock it with hex nut. Raise the tube (K) onto the lamp body, lock it with the tube (J), raise the tube (I)/(G) and assembled single bar (D) to the screw pipe thread in order, then by turning it clockwise until tight.
6. Install the light bulbs (Not included) in accordance with the fixture specifications. **NOTE: DO NOT EXCEED THE SPECIFIED WATTAGE!**
7. While holding the assembled single bar (D) of fixture body to the ceiling junction box with junction box screws (E) as shown, tighten screws securely with screwdriver. The side of the single bar marked "GND" must face out. **The junction box is not included.**
8. Connect the electrical wires as shown in Fig.2, making sure that all wire nuts are secured. You may have to wrap the connections with electrical tape. If your outlet has a ground wire (green or bare copper), connect the fixture ground wire to it. Otherwise connect fixture's ground wire directly to the single bar with the green screw provided. After wires are connected, tuck them carefully inside the Junction Box.
9. Slide the canopy onto the Junction box, lock it securely with the ring (H) until tight.

Your installation is now complete. Return power to the junction box and test the fixture.

FIG.1

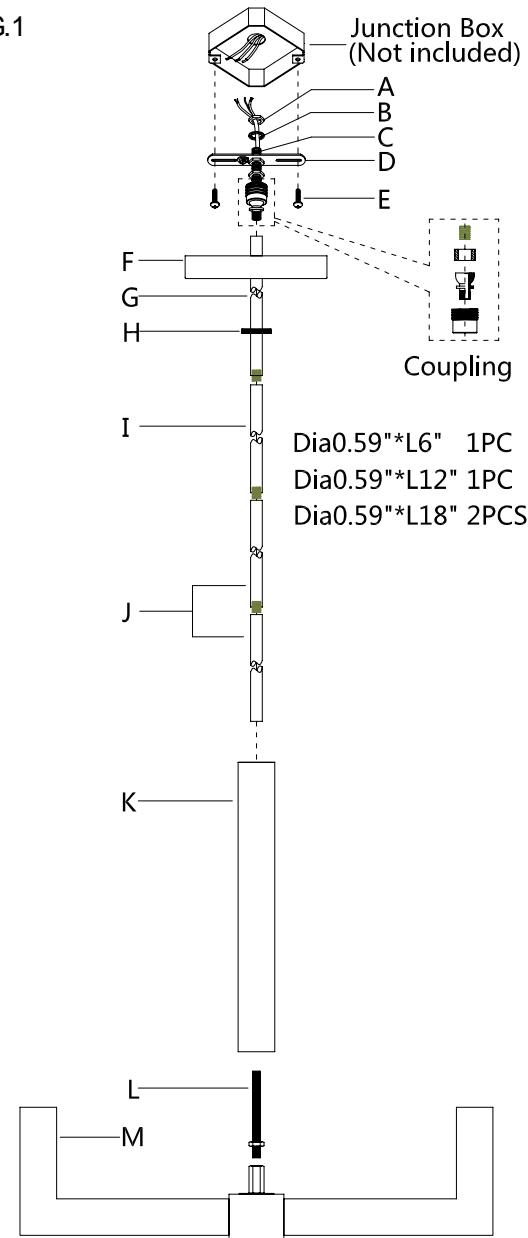
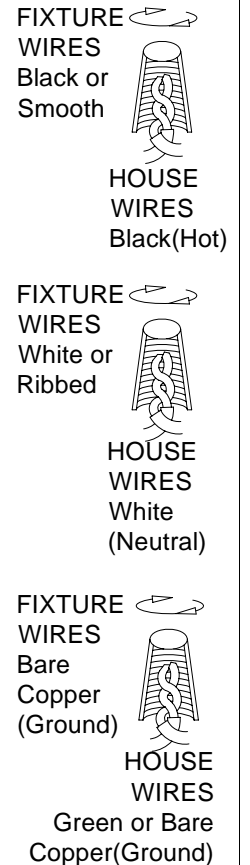


FIG.2



Thank you for purchasing a **LIVEX** product.
Need assistance with parts or assembly? Please call customer service at: **800-761-8056**
Or visit us online at: WWW.LIVEXLIGHTING.COM