



## ASSEMBLING & INSTALLATION INSTRUCTIONS

The drawing shown may not exactly match the product enclosed.  
However, the installation instructions do apply to this product.  
65501 65502 65503 7390 7391 7392 7393

- ◆ **WARNING! SHUT POWER OFF AT FUSE OR CIRCUIT BREAKER.**
- ◆ **ATTENTION! COUPER LE COURANT AU FUSIBLE OU UN DISJONCTEUR.**

### ASSEMBLING THE FIXTURE (Fig.1)

1. Shut off the power at the fuse box or circuit breaker box. Remove the old fixture from ceiling, including the single bar.
2. Carefully unpack your new fixture and lay out all the parts on a clear area. Take care not to lose any small parts necessary for installation.
3. Thread the two mounting screws into the pre-drilled holes in the single bar spaced the same distance apart as the holes in the lamp body (A).
4. Attach the single bar to the Junction Box using the two screws from the Junction Box as shown. The side of the single bar marked "GND" must face out. **The junction box is not included.**
5. Hold the lamp body(A) towards the single bar and connect the electrical wires as follows (See Fig.2). Connect the black wire from the fixture to the black house (hot) wire; connect the white wire from the fixture to the white house (neutral) wire. Make sure all wire nuts are secured. You may wrap the connections with electrical tape. If your Junction box has a ground wire (green or bare copper) connects fixture's ground wire to it. Otherwise attach the bare copper fixture wire to the green ground screw on the single bar. Tuck the wire connections neatly into the ceiling junction box as you are holding the fixture assembly toward the ceiling.
6. Finish mounting the lamp body (A) by placing it over both mounting screws so that the screws protrude from the holes in the bottom of the pan (A), lock it securely with the ball nut(B)
7. Install the light bulbs (Not included) in accordance with the fixture's specifications. **DO NOT EXCEED THE MAXIMUM WATTAGE RATING!**
8. Attach the glass shade (C) to the pan (A), aligning the salient of pan with glass shade's dint, rotate the glass shade until tighten.

**Your installation is now complete. Return power to the junction box and test the fixture.**

FIG.1

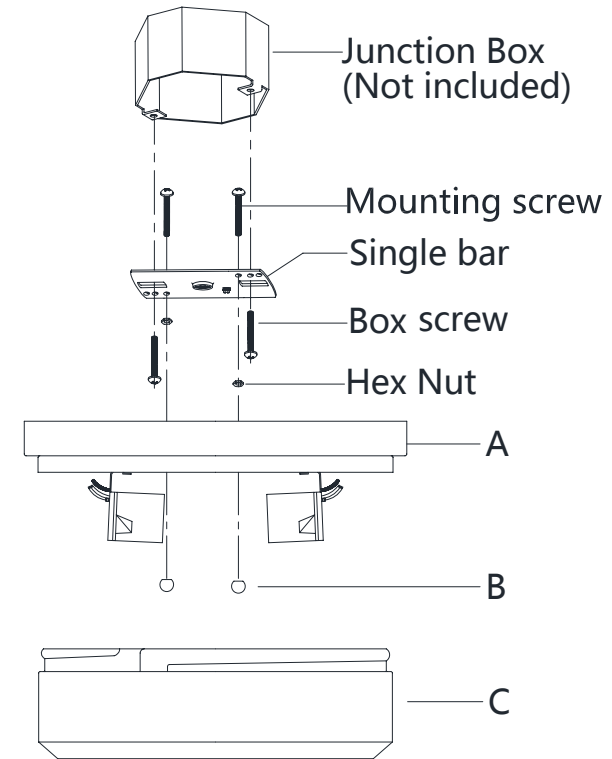
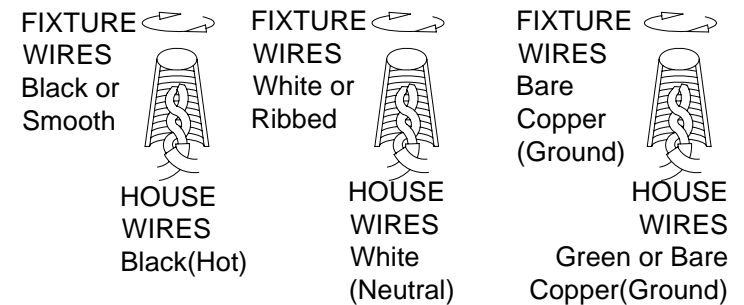


FIG.2



Thank you for purchasing a **LIVEX** product.  
Need assistance with parts or assembly? Please call customer service at: **800-761-8056**  
Or visit us on-line at: [WWW.LIVEXLIGHTING.COM](http://WWW.LIVEXLIGHTING.COM)