



## ASSEMBLING & INSTALLATION INSTRUCTIONS

The drawing shown may not exactly match the product enclosed.  
However, the installation instructions do apply to this product.

7651 7653 7657 7650 7652 7656

7851 7853 7857 7850 7852 7856

- ◆ **WARNING! SHUT POWER OFF AT FUSE OR CIRCUIT BREAKER.**
- ◆ **ATTENTION! COUPER LE COURANT AU FUSIBLE OU UN DISJONCTEUR.**

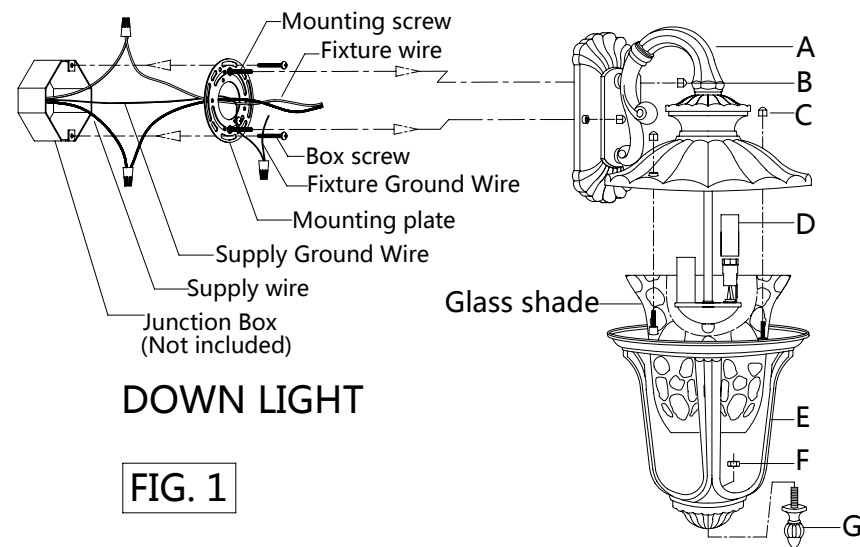
### ASSEMBLING THE FIXTURE (Fig.1)

1. Shut off the power at the circuit breaker box. Remove old fixture and all hardware from Junction Box. Carefully unpack your new fixture and lay out all the parts on a clear area. Take care not to lose any small parts necessary for installation.
2. Thread the two mounting screws about 1/4" into the pre-drilled holes in the mounting plate, spaced about the same distance apart as the holes in the fixture back plate. Attach the mounting plate to the junction box using two junction box screws. The side of the mounting plate marked "GND" must face out. **The junction box is not included.**
3. Follow wiring instructions carefully. (see fig.2)
4. Attach the back plate of the lamp body(A) onto the junction box, aligning screws on mounting plate with mounting holes and lock it securely with the ball nuts(B). Put the candle sleeve(D) over the lamp holder (Note: the up light no candle sleeve).
5. Install the light bulbs (Not included) in accordance with the fixture's specifications. **NOTE: DO NOT EXCEED THE MAXIMUM WATTAGE RATING!**
6. Raise the finial(G) to the bottom hole of glass frame(E) and lock it securely with the hex nut(F) until tight. Removing the cover sheet sponge on the glass shade, raise the glass shade into the glass frame and lock it securely with the clip. Attached glass frame(E) to the bottom of lamp body(A), lock it securely with the hex nut(C).
7. **With silicone caulking compound, caulk completely around where back of cover meets with the wall surface to prevent water from seeping into outlet box.**

### CONNECTING THE WIRES (Fig.2)

1. Connect the electrical wires as follows. Connect the Black wire from the fixture to the black house (hot) Wire. Connect the white wire from the fixture to the white (neutral) house wire. Make sure all wire nuts are secured. You may wrap the connections with electrical tape. If your outlet box has a ground wires (green or bare copper) connect fixture's ground wire to it. Otherwise attach the bare copper fixture wire to the green ground screw on the mounting plate.
2. Tuck the wire connections neatly into the wall junction box.

**Your installation is now complete. Return power to the junction box and test the fixture.**



DOWN LIGHT

FIG. 1

UP LIGHT

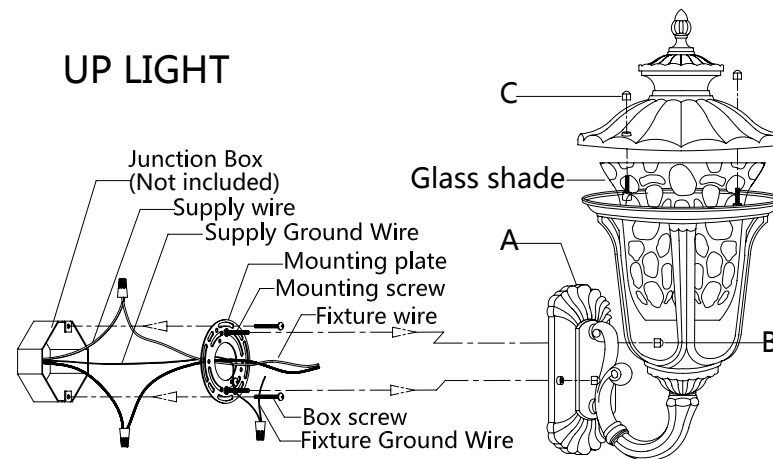


FIG.2

<p>FIXTURE WIRES Black or Smooth</p> <p>HOUSE WIRES Black(Hot)</p>	<p>FIXTURE WIRES White or Ribbed</p> <p>HOUSE WIRES White(Neutral)</p>	<p>FIXTURE WIRES Bare Copper (Ground)</p> <p>HOUSE WIRES Green or Bare Copper(Ground)</p>
--	--	---

Thank you for purchasing a **LIVEX** product.

Need assistance with parts or assembly? Please call customer service at: **800-761-8056**

Or visit us on-line at: [WWW.LIVEXLIGHTING.COM](http://WWW.LIVEXLIGHTING.COM)