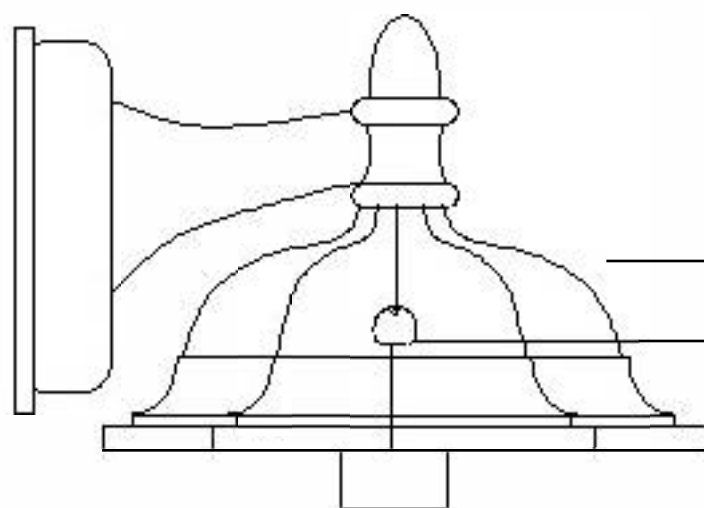


# Assembly Instructions

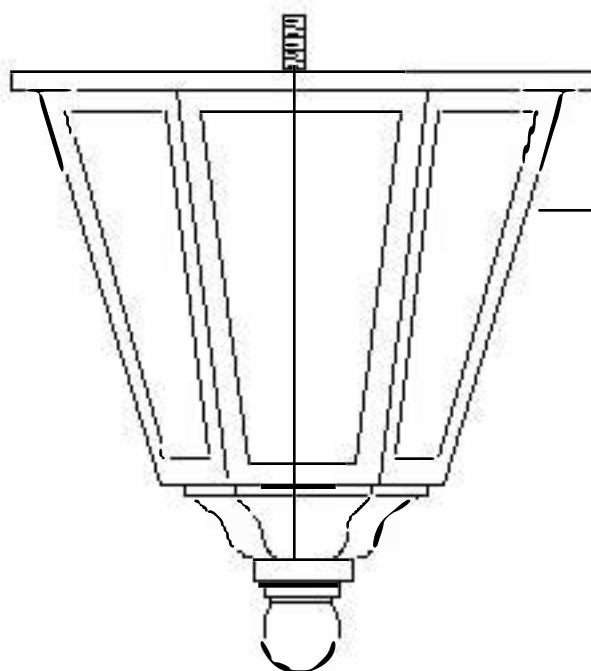
1000/55100

- 1、 first please fix the back plate on the wall with the cross bar
- 2、 then place the glass on the cage
- 3、 link the top cover and the cage with the bail knobs



The Top Cover

The Bail Knobs



The Cage