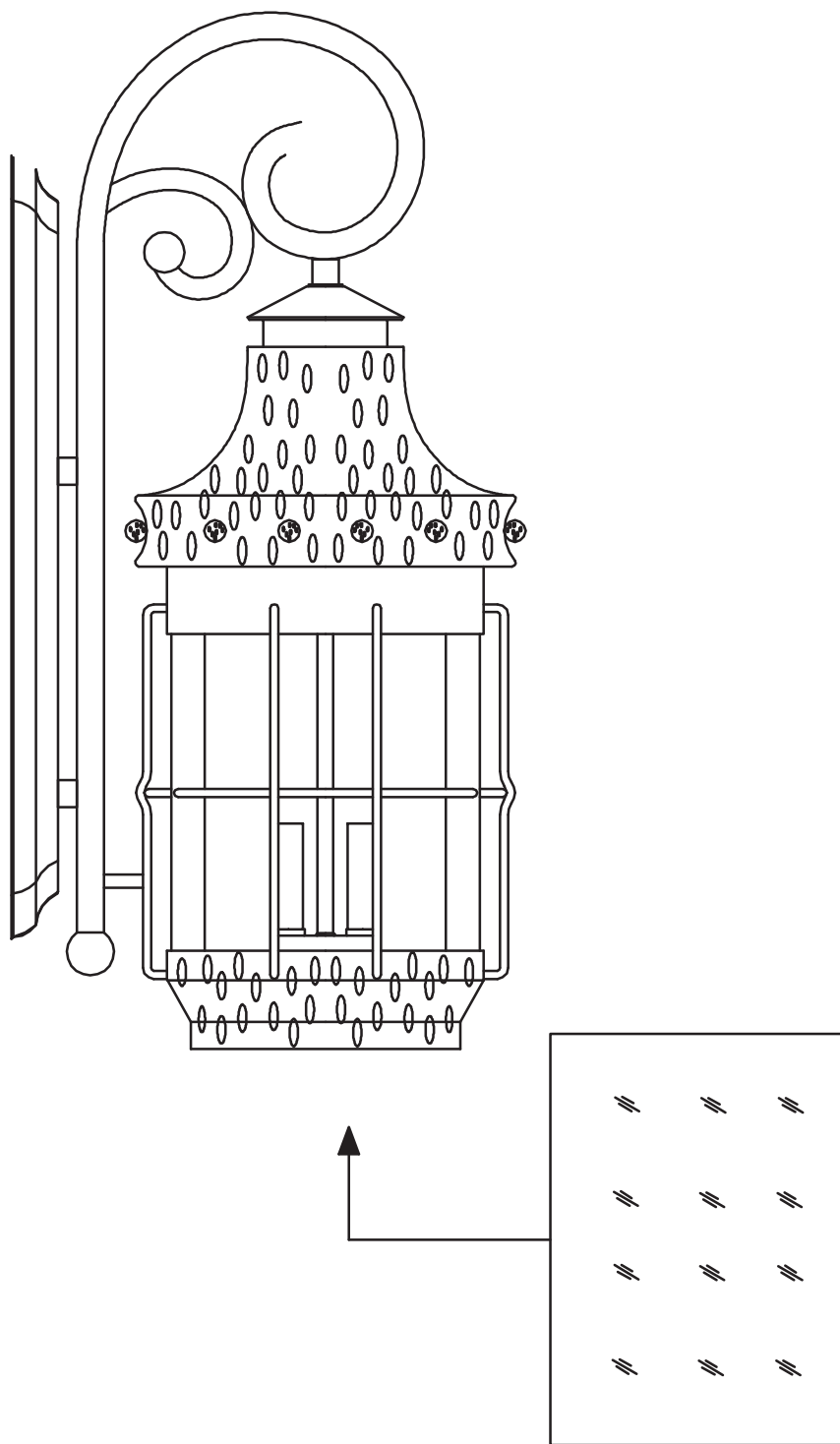




Assembly Instruction For
Replace Glass
30085





CEILING FLUSH INSTALLATION INSTRUCTIONS

READ AND SAVE THESE INSTRUCTIONS

TOOLS AND MATERIALS REQUIRED

Adjustable wrench Wire cutters
Flat blade screwdriver Step ladder
Wiring supplies as required by electrical codes.

CAUTION: Refer to the section titled ELECTRICAL CONNECTIONS before assembling your lighting fixture. If you feel you do not have electrical wiring experience, refer to a do it yourself wiring handbook or have your fixture installed by a licensed electrician.

GENERAL

1. To ensure the success of the installation, be sure to read these instructions and review the diagrams thoroughly before beginning.
2. All electrical connections must be in accordance with local codes, ordinances or the National Electrical Code. If you are unfamiliar with methods of installing electrical wiring, secure the services of a qualified licensed electrician.
3. These fixtures are intended to be mounted to a 4 x 2 1/8 deep metal octagon outlet box. The box must be directly supported by the building structure.
4. Before starting the installation, disconnect the power by turning off the circuit breaker or by removing the fuse at the fuse box. Turning the power off using the light switch is not sufficient to prevent electrical shock.

NOTE: The important safeguards and instructions appearing in this manual are not meant to cover all possible conditions and situations that may occur. It must be understood that common sense, caution, and care are factors which cannot be built into any product. These factors must be supplied by the person(s) caring for and operating the fixture.

UNPACK THE FIXTURE

Check the content of the box. You should receive:

Mounting hardware package Fixture assembly(s)
Glass shade or shade assembly

NOTE: FIRST TURN OFF ELECTRICITY

Refer to figures for illustration of typical fixture parts for assembly

1. If you are replacing an existing fixture, disconnect and remove the old fixture. Expose the wiring in the outlet box
2. Some models require the installation of two mounting screw on the crossbar as shown in the illustration. If not already installed, install them on the cross bar as shown. Fasten the cross bar to outlet box using the two screws supplied with outlet box. On some models, a nipple may need to be installed.
3. Attach grounding wire (green or bare copper) from the supply circuit to the mounting bracket with the green grounding attachment screw provided. Some models have a grounding wire attached to the fixture. For models that employ a green or bare copper grounding wires. It will necessary to connect the green or bare copper grounding wire to the grounding conductor of the supply circuit.
4. Make electrical connections SEE BELOW.

ELECTRICAL CONNECTIONS

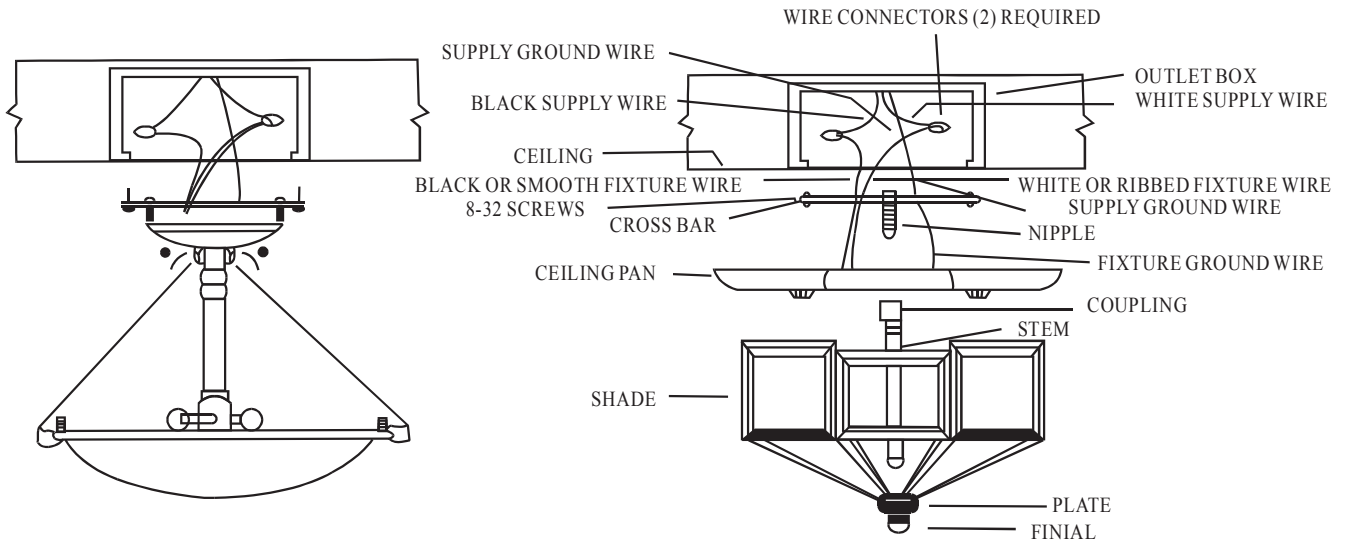
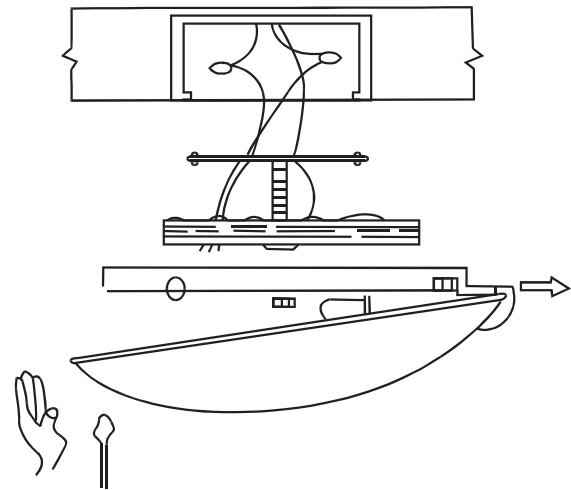
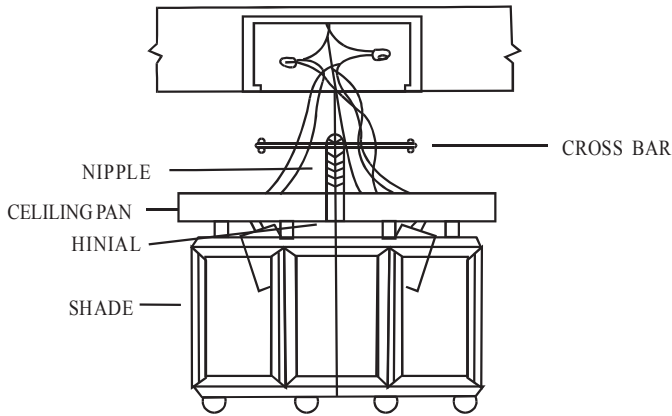
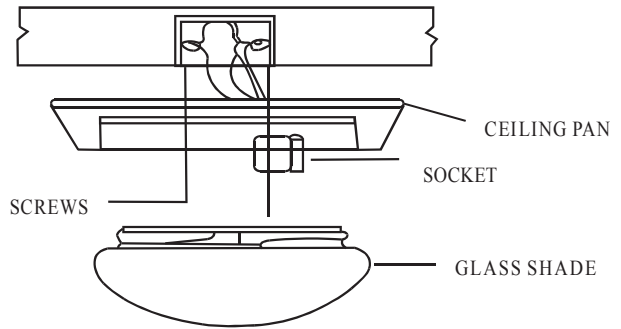
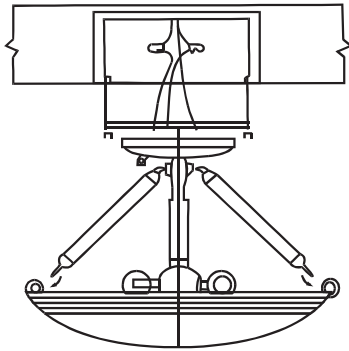
To make electrical connections:

Fixtures will have a black and white wire or a two wire power supply cord. Split the power supply cord wires into separate leads. Connect the half of the cord that is ribbed or the white wire to the white wire of the supply circuit. Connect the smooth half of the wire (the half with markings) or the black wire to the black wire of the supply circuit. Connect the green or bare copper wire to the CROSSBAR grounding screw and the grounding conductor of the supply circuit. On fixtures that do not use a crossbar connect fixture ground wire to supply ground wire with wire connectors. Use U.L. Listed wire connectors suitable for the size, type and number of conductors. No loose strands or loose connectors should be present. Secure wire connections with U.L. listed electrical tape.

FINAL ASSEMBLY

1. Spread the electrical splices so that the black wires are on the one side of the outlet box and the white wires are on the other side.
2. Raise fixture to outlet box and secure with screws, acorn nuts or finial. On models that have a ceiling pan with keyhole slots, the head of the screw will pass through the larger end of the keyhole slot. The pan must then be turned slightly so that the screw head is over the smaller part of the opening of the keyhole slot. Tighten screws once pan is in place.
3. Install light bulbs (not provided) **CAUTION:** Refer to the lamping label located near the lamp holder, for recommended maximum wattage - **DO NOT EXCEED RECOMMENDED WATTAGE!**
4. On models with disassembled shade, install shade and secure with screws or finial. Please refer to illustrations. On some models the shade is installed without hardware. On these models, line up vertical slot on shade with raised areas on the ceiling pan. Raise shade into ceiling pan and then turn glass shade on clockwise direction about 1/4 turn until it tightens.
5. Restore electricity and check the operation of your lighting fixture.

CEILING FLUSH INSTALLATION INSTRUCTIONS



READ & SAVE THESE INSTRUCTIONS



INSTALLATION & OPERATION INSTRUCTIONS

TOOLS & MATERIALS REQUIRED

- Blade screw driver
- Wire cutters
- Adjustable wrench
- Wiring supplies as required by electrical code
- Stepladder.

CAUTION: Before assembling your Lighting fixture, refer to the section titled ELECTRICAL CONNECTIONS. If you feel you do not have electrical wiring experience, refer to a do-it-yourself wiring handbook or have your fixture installed by a qualified licensed electrician.

GENERAL

1. To ensure the success of the installation, be sure to read these instructions and review the diagrams thoroughly before beginning.
2. All electrical connections must be in accordance with local codes, ordinances or the National Electrical Code. If you are unfamiliar with methods of installing electrical wiring, secure the services of a qualified licensed electrician.
3. These fixtures are intended to be mounted to a 4" X 2 7/8" deep metal octagon outlet box. The box must be directly supported by the building structure.
4. Before starting the installation, disconnect the power by turning off the circuit breaker or by removing the fuse at the fuse box. Turning the power off using the light switch is not sufficient to prevent electrical shock.

NOTE: The important safeguards and instructions appearing in this manual are not meant to cover all possible conditions and situations that may occur. It must be understood that common sense, caution, and care are factors which cannot be built into any product. These factors must be supplied by the person caring for and operating the fixture.

UNPACK THE FIXTURE

Check the content of the box. You should receive:

- Mounting hardware Package
- Glass diffusers (not supplied on all models)
- Plastic tip covers (one for each diffuser, not supplied on all models)
- Fixture assembly

PREPARE THE FIXTURE

NOTE: FIRST TURN OFF ELECTRICITY ADJUST THE CROSS BAR

Refer to figure 1 for illustration of fixture parts and assembly

1. If you are replacing an existing fixture, disconnect and remove the old fixture. Expose the supply wiring from the out box.
2. Fasten the cross bar to the outlet box using the two screw supplied with outlet box, if the nipple stem is not attached to the cross bar secure the nipple with the lock washer and nut provided.

3. Screw chain loop to the top of the part fixture. Turn the loop at least complete turns to ensure proper Securement.
4. Determine the length of chain required to hang the fixture at desired height. Using pliers to open one end link of chain, attach to chain loop and open another chain to attach to screw collar loop. Lace fixture wire and ground wire up through every other link of chain.
5. Raise the fixture to the ceiling and weave the lead wire up through screw collar loop, nut and nipple and into outlet box. Secure the Screw collar loop at least 3 complete turns to ensure proper mounting. Now you are ready to make electrical connections.
6. Make electrical connections-SEE BELOW

ELECTRICAL CONNECTIONS

To make electrical connections:

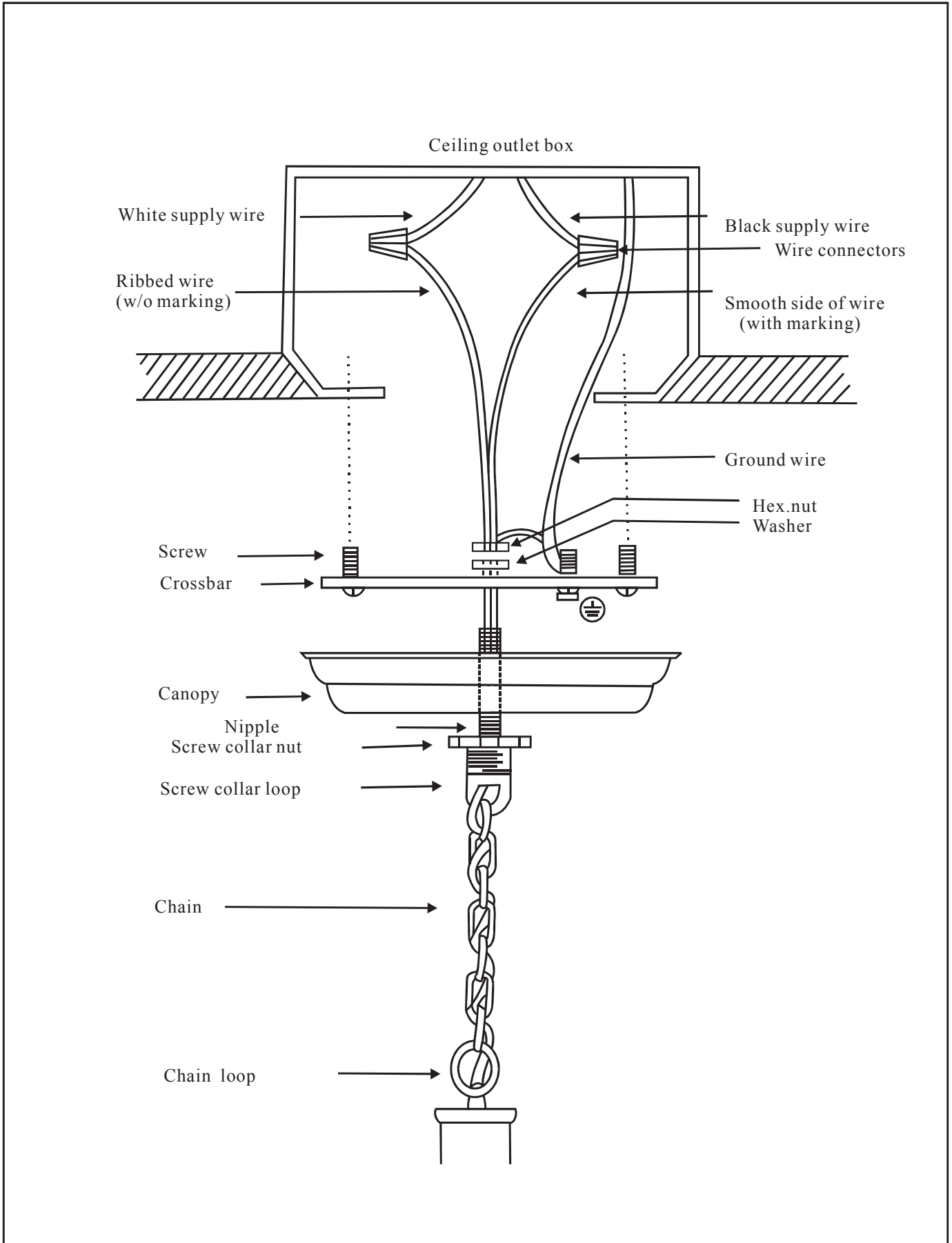
Cut excess wire leaving six inches for electrical connections Split the wires into two separate leads. Connect the half of the SPT cord that is ribbed surface to the white wire of the supply circuit. Connect the smooth half of the wire (the half with marking) to the black wire of the supply circuit. Connect the bare copper wire to the grounding conductor of the supply circuit. Use U.L. Listed wire connectors suitable for the sizes, type and number of conductors. No loose strands or loose connectors should be present. Secure wire connections with U.L. listed electrical tape.

FINAL ASSEMBLY

1. Spread the electrical splices so that the black wires are on the one side of the outlet box and the white wires are on the other side.
2. Raise canopy and screw collar nut up to ceiling and secure to screw collar loop.
3. Make sure the weight of the chandelier is supported by the chain and not the electrical cord. If you install hooks for a wag, they must be engaged the chain only.
4. Install light bulbs (not provided)
CAUTION: Refer to the warning label located near the lampholder, for recommended wattage - do not exceed recommended wattage.
5. Hang glass diffusers, place plastic tips on ends of diffuser hooks (Not on all models)
6. Restore electricity and check the operation of you new lighting fixture.



Installation Instructions for Hanging System, Ceiling





Assembly Instruction for the fixture with safety colbe

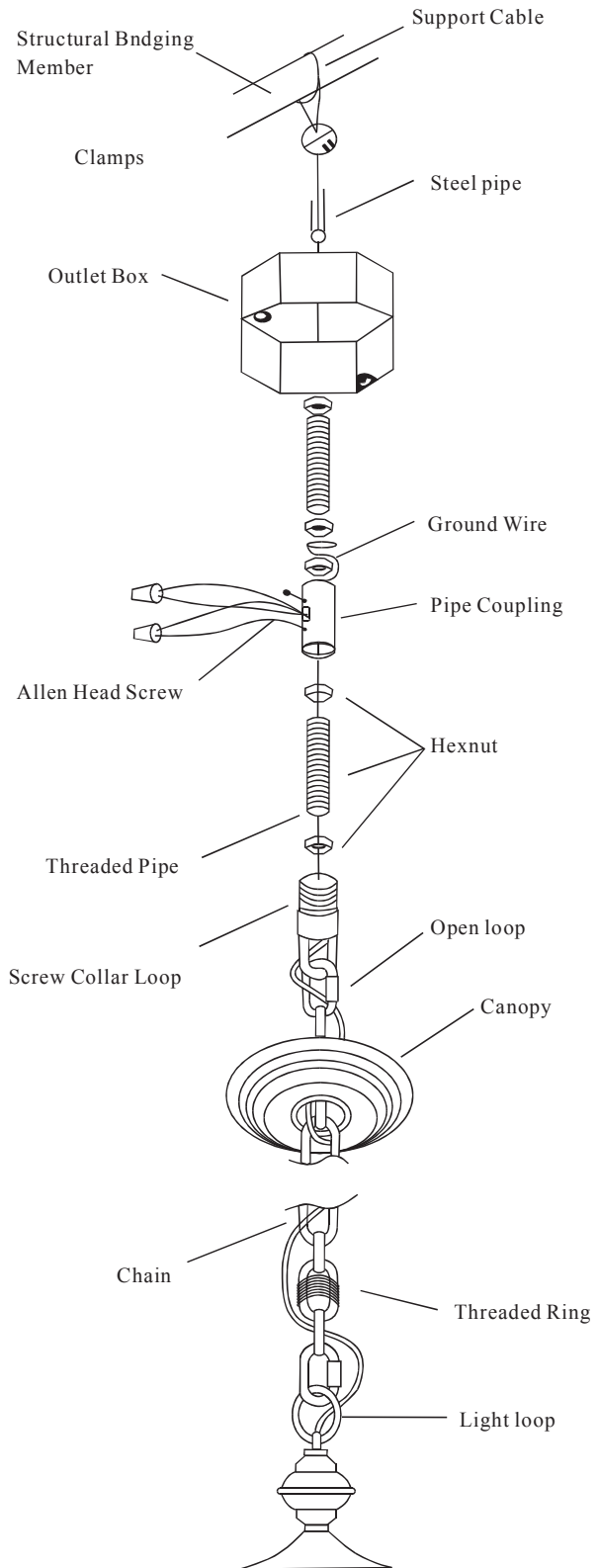
NOTE: Fixtures weighing over 25lbs, must be supported independently of the outlet box.

- 1) Turn off power
- 2) Supply wires shall enter the outlet box through any knocknot except the top enter knockout.
- 3) Fixture is to be mounted by a steel pipe approximately 3/4" of 3/8-18NPSN thread at the bottom (Not Supplied) Position pipe so that approximately 1/2" f thread protrudes into outlet box. Attach pipe to a structural bridging member of sufficient strength to support at least 4 times the fixture weigh.
- 4) Thread pipe coupling onto protruding inside outlet box.
- 5) Thread hex nut onto threaded pipe. Screw threaded pipe into pipe coupling. Secure in place by tightening hex nut against pipe coupling and tightening allen head screw.
- 6) Thread hex nut Slip on ground wire and thread a second hex nut onto threaded pipe.
- 7) Connect screw collar loop (without threaded ring) to threaded pipe.
- 8) Pass canopy over screw collar loop. Approximately one-half of the screw collar loop exterior thread should be exposed. Adjust loop as required. Remove canopy and tighten hex nut against screw collar loop. Tigheten second hex nut against first to hold ground wire in plate.
- 9) Attach chain to fixture (not shown).
- 10) Slip threaded ring then canopy onto chain.
- 11) Attach chain (with fixture connected) to bottom of screw collar loop
- 12) Weave silver support cable up chain and exit through top hole in side of pipe coupling. Slip cable through top existing opening or drill 3/16" dia. Hole near center of outlet box. Wrap cable around structural member described in step #3. Cable must be pulled taunt to evenly distribute fixture weight between cable and chain. Secure cable with (2) clamps provided.
- 13) Weave both fixture wires and copper ground wire up chain and exit through top hole inside of pipe coupling.
- 14) Connect fixture ground wire and ground wire attached to threaded pipe to outlet box ground wire with wire connector (not provided). Never connect ground wire to black or power supply wires. Make wire connections (connectors not provided). Reference chart below for correct connections and wire accordingly.

Connect Black or Red Supply Wire to:	Connect Black or White Supply Wire to:
Black	White
Parallel cord (round & smooth)	Parallel cord (square & ridged)
Clear, Brown, Gold or Black without tracer	Clear, Brown, Gold or Black without tracer
Insulated wire (other than green) with copper conductor	Insulated wire (other than green) with silver conductor

Notes: When parallel wires (SPTI & SPTLII) are used. The Neutral wire is square shaped or ridged and the other wire will be round in shape or smooth (see us).

Warning:
 Consult a qualified
 Electrician for
 installation

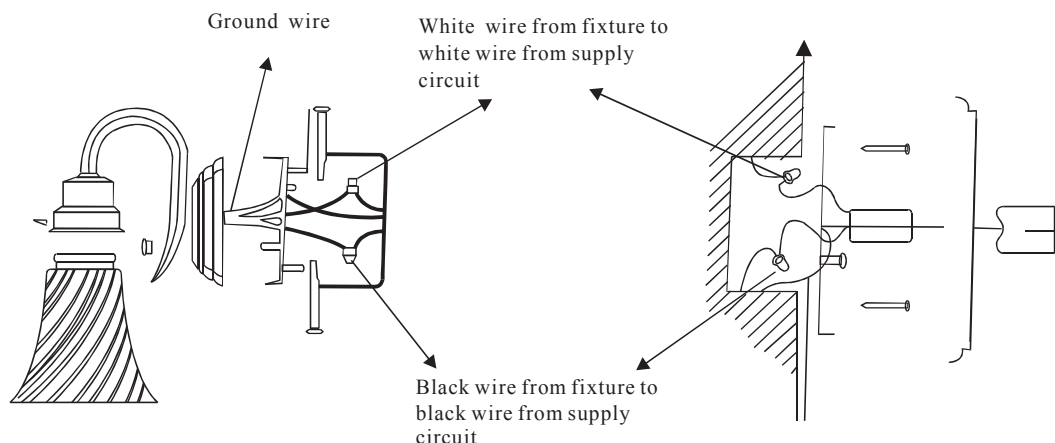


INSTALLATION & OPERATION INSTRUCTIONS

TOOLS & METEIRALS REQUIRED

1, Blade Screwdriver 2, Adjustable Wrench 3, Step Ladder 4, Wire Cutters 5, Wiring supplies as required by electrical code

CAUTION: Before assembling your lighting fixture, refer to the section titled ELECTRICAL CONNECTIONS. If you feel you do not have electrical wiring experience refer to a do-it yourself wiring handbook or have your fixture installed by a licensed electrician.



GENERAL

1. To ensure the success of the installation, be sure to read these instructions and review the diagram thoroughly before beginning.
2. All electrical connections must be in accordance with local codes, ordinances, or the National Electrical Code. If you are unfamiliar With methods of installing electrical wiring, secure the services of a qualified licensed electrician.
3. These fixtures are intended to me mounted to a 4" X2-1/8" deep metal octagon outlet box. These boxes must be directly supported by the building structure.
4. Before starting the installation, disconnect the power by turning off the circuit breaker or by removing the fuse at the fuse box. Turning the power off using the light switch is not sufficient to prevent electrical shock.

NOTE: The important safeguards and instructions appearing in this manual are not meant to cover all possible conditions and situations that may occur. It must be understood that common sense, caution and care are factors which cannot by built into any product. These factors must be supply by person(s) caring for and operating the fixture.

UNPACK THE FIXTURE

Check the contents of the box. You should received:

1. Mounting hardware package 2. Mounting Bracket or mounting plate 3. Bathbar.

PREPARE THE FIXTURE

NOTE: FIRST TURN OFF ALL ELECTRICITY AND REMOVE SOCKET COVER OF THE FIXTURE

1. If you replacing an existing fixture, disconnect and remove the old fixture. Expose the supply wiring from the outlet box.
2. Separate and remove the backplate from the front plate of the bath bar.
3. Mount the backplate to the outlet box using the 2 screws provided with the outlet box. (Please note that the backplate may be mounted with the screw hole for the front panel either on the top or the bottom determines the installation required)
4. Make Electrical Connections-SEE BELOW.
5. Place front of the bath bar on backplate and secure with the one (1) screw provided.
6. Secure the Glass Shade with the screws provided.

ELELTRICAL CONNECTIONS

To make electrical connections:

Connect the white wire(s) from the fixture to the white wire of the supply circuit. Connect the black wire(s) from the fixture to the black wire of the supply circuit. Connect the green (or bare copper) colored wire of the supply circuit in the backplate using the green (ground) screw provided. Use UL Listed wire connectors suitable for the size, type and number of conductors. No loose strands or loose wires should be present. Secure wore connectors with UL Listed electrical type.

FINAL ASSEMBLY

1. Spread the electrical splices so that the black wires are on one side of the outlet box and the white wires are on the other side
CAUTION: Refer to the relamping label located near lampholder for the recommended maximum wattage, do not exceed recommended wattage.
2. Restore electrical and check the operation of your new lighting fixture.