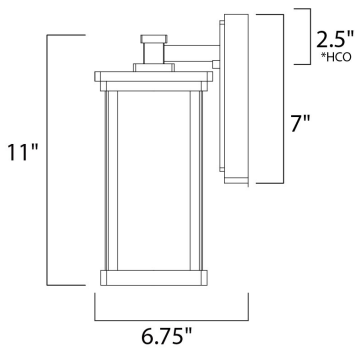




## PRODUCT DESCRIPTION



\*height from center of outlet to the top of the fixture

### MEASUREMENTS

DIMENSION : 5.25" W x 11" H x 6.75" Ext  
 BACK PLATE : 4.5" W x 7" H x 2.5" HCO  
 HANGING WEIGHT : 2.86 lb

### LAMPING

INPUT VOLTAGE : 120V  
 LUMENS : 800 Rated  
 BULB : 1 x 9W LED E26 Medium , 9W Total  
 BULB INCLUDED : (Included)  
 DIMMABLE : Triac CL  
 CRI : 90+ CRI  
 COLOR\_TEMP : 3000K

## FINISHES OPTION

 Bronze

## GLASS

Frosted Seedy FS

## MATERIAL

Die Cast Aluminum

## RATINGS

cETLus  
 Wet Location  
 Energy Star  
 JA8 Bulb In



## ADDITIONAL

INCANDESCENT WATTS:  
 RATED LIFE 25000 Hours  
 OPERATING TEMPERATURE:  
 -20°C (-4°F), 40°C (104°F)

Always consult a qualified electrician before installing any lighting product.



### WESTERN DISTRIBUTION CENTER (HEADQUARTER)

253 NORTH VINELAND AVE | CITY OF INDUSTRY, CA 91746

### EASTERN DISTRIBUTION CENTER

4200 SHIRLEY DR. | ATLANTA, GA 30336

P. 626.956.4200 | F. 626.956.4225 | maximlighting.com