

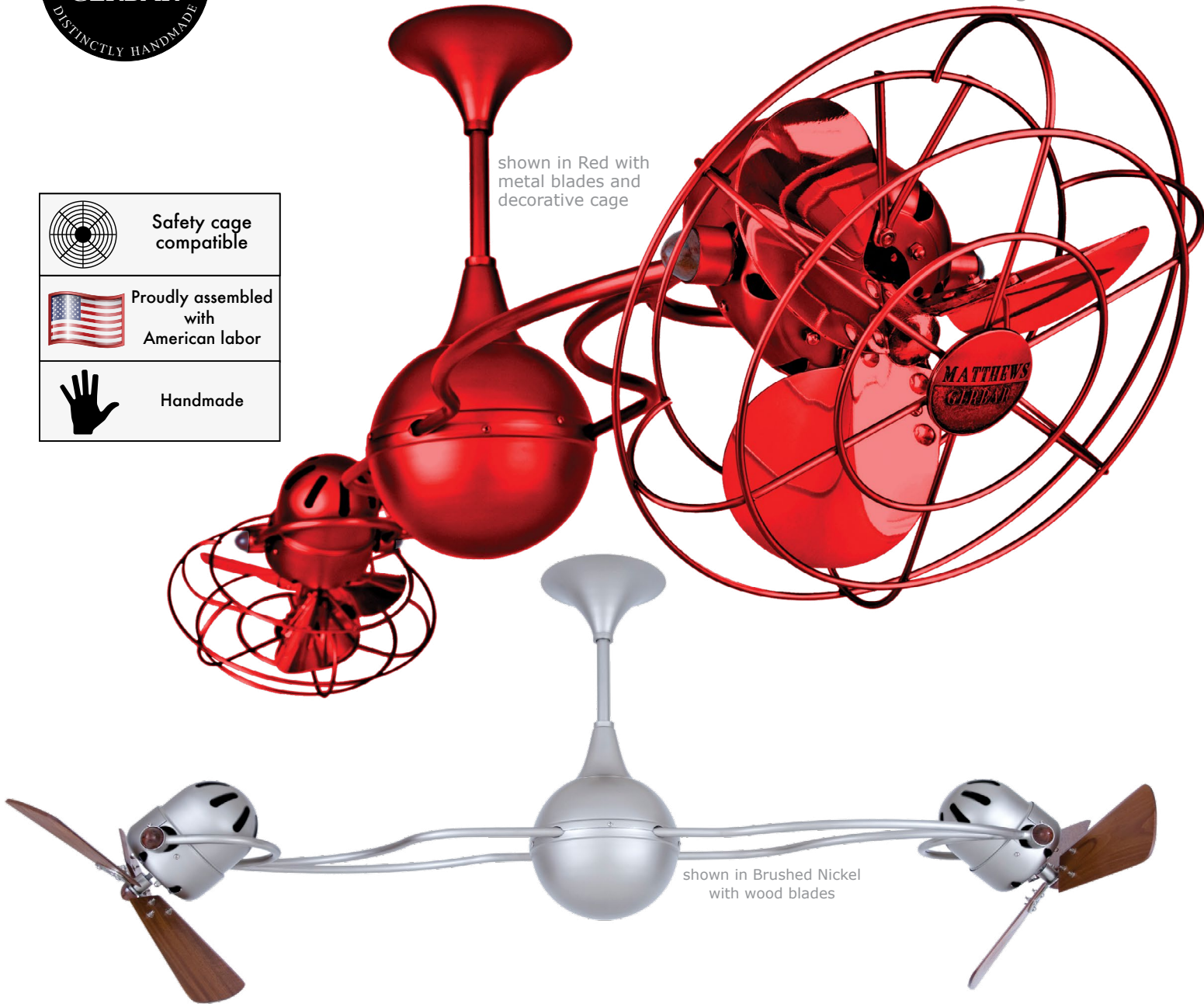


# Italo Ventania

Designed in 2007

|   |                                       |
|---|---------------------------------------|
|  | Safety cage compatible                |
|  | Proudly assembled with American labor |
|  | Handmade                              |

shown in Red with metal blades and decorative cage



shown in Brushed Nickel with wood blades

The Italo Ventania is the largest 360° rotational fan in the Matthews Fan Co collection. Its vortex sculpted arms grasp also remarkable, side-mounted fan heads in gentle, equatorial rotation. The fan heads can be infinitely positioned in 180-degree arcs for optimum air movement; the greater the angle of the motor to the horizontal support rods (up or down), the faster the axial rotation. A slow, controlled axial rotation is achieved by both fan head position and fan blade speed. Matthews 360° rotational fans circulate heat and air conditioning more efficiently than traditional paddle fans. Constructed of cast aluminum, heavy spun and stamped steel, the Ar Ruthiane carries a limited lifetime warranty.

Current specification sheets can be found at [MatthewsFanCo.com](http://MatthewsFanCo.com). (08\_2019)

|                |                 |                        |
|----------------|-----------------|------------------------|
| Matte Black    | Bronze (Plate)  | Bronzette (Powdercoat) |
| Brushed Nickel | Polished Chrome | Polished Copper        |

Standard Finishes

|                     |                      |              |           |          |              |
|---------------------|----------------------|--------------|-----------|----------|--------------|
| Brushed Brass       | Polished Brass       | Agua Marinha | Safira    | Ametista | Ouro         |
| Brushed Copper      | Polished Chrome Damp | Jade         | Esmeralda | Rubi     | Black Nickel |
| Brushed Nickel Damp | Gloss White          |              |           |          |              |

Special Order Finishes

### FAN SPECIFICATIONS

|   |  |
|---|--|
| Fan Weight  | 24 lbs   |
| Voltage   | 110 or 220   |
| Motor Type  | AC   |
| Downrods Lengths<br>Field cuttable.<br>Non-threaded | inches: 5, 10, 20, 30, 48, 72<br>centimeters: 13, 25, 51, 76, 122, 183                                       |
| Downrod Diameter                                    | .75 inch   |
| Overall Drop  | 14 inches / 36 cm + downrod length   |
| Environment   | Damp location with protective powder or clear coat only. Neither coastal, saltwater nor chlorine compatible. |
| Ambience  | Soothing White Noise   |
| Safety Certification                                | UL / CUL   |
| Warranty  | Limited Lifetime   |

### NEW JAN 21, 2020 DOE MOTOR EFFICIENCY DATA

| Fan Head Options   | Solid Mahogany Wood <sup>1</sup> | Metal with Guard   |
|--------------------|----------------------------------|--|
| Fan Diameter       | 62 inches / 157 cm               | 60 inches / 152 cm   |
| Fan Blade Diameter | 16 inches / 41 cm                | 13 inches / 33 cm  |
| Guard Options      | No Cage Option                   | Decorative Cage or Safety Cage with tight tines <sup>2</sup> |
| Blade Pitch        | 19°                              | 31°  |
| CFM (Low / High)   | 2644 / 4519                      | 1372 / 2278  |
| RPM (Low / High)   | 715 / 1209                       | 685 / 1139   |
| Watts (High)       | 91.63                            | 94.76  |
| CFM / Watt (High)  | 49.32                            | 24.04  |

### SKU NAMING CONVENTION

| SKU#              | IV-XX-XXX<br>(Model+Finish+Fan Blade) |            |
|-------------------|---------------------------------------|------------|
| Standard Finishes | Black                                 | — BK       |
|                   | Bronze                                | — BZ       |
|                   | Bronzette                             | — BZZT     |
|                   | Brushed Nickel                        | — BN       |
|                   | Polished Chrome                       | — CR       |
|                   | Polished Copper                       | — CP       |
| Special Order     | Brushed Brass                         | — BRBR     |
|                   | Polished Brass                        | — PB       |
|                   | Brushed Copper                        | — BRCP     |
|                   | Polished Chrome Damp                  | - CRDAMP   |
|                   | Brushed Nickel Damp                   | - BNDAMP   |
|                   | Gloss White                           | — WH       |
|                   | Agua Marinha                          | — LTBLUE   |
|                   | Safira                                | — BLUE     |
|                   | Ametista                              | — LTPURPLE |
|                   | Ouro                                  | — GOLD     |
|                   | Jade                                  | — LTGREEN  |
| Esmeralda         | — GREEN                               |            |
| Rubi              | — RED                                 |            |
| Black Nickel      | — BKN                                 |            |
| Fan Blade         | Wood Blade                            | — WD       |
|                   | Metal Blade                           | — MTL      |

<sup>1</sup> Matthews' Brazilian mahogany is ecologically harvested.

<sup>2</sup> Safety cages with tight tines are for use in low ceiling applications: 7 ft in USA and 8.2 ft in Canada

### STANDARD EQUIPMENT

One downrod of 10 inches / 13 cm

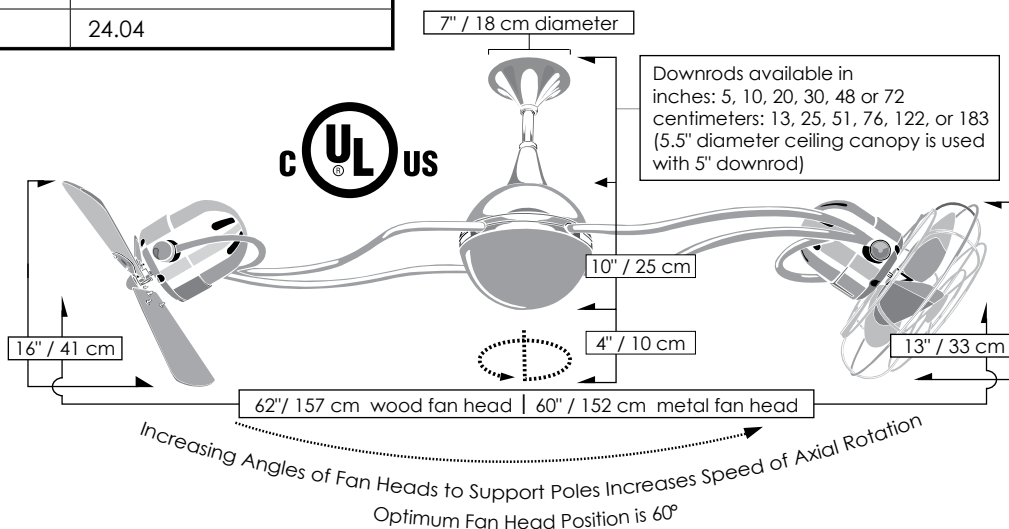
Flat ceiling canopy

Decora-style,  
3-speed wall  
control in white



### OPTIONAL EQUIPMENT

29° vaulted ceiling mount and canopy



### CEILING PITCH TABLE

| Downrod Length | Angle         |
|----------------|---------------|
| 0/12           | 0 degrees     |
| 1/12           | 4.76 degrees  |
| 2/12           | 9.46 degrees  |
| 3/12           | 14.04 degrees |
| 4/12           | 18.43 degrees |
| 5/12           | 22.62 degrees |
| 6/12           | 26.57 degrees |
| 7/12           | 30.26 degrees |
| 8/12           | 33.69 degrees |
| 9/12           | 36.87 degrees |
| 10/12          | 39.81 degrees |
| 11/12          | 42.51 degrees |

### CEILING HEIGHT / DOWNROD TABLE

| Ceiling Height | Downrod Lengths<br>Field cuttable<br>Non-threaded        |
|----------------|--|
| 10 ft or less  | 5 inches / 13 cm<br><i>Use safety cage if applicable</i> |
| 10 -12 feet    | 10 inches / 25 cm  |
| 13 feet        | 20 inches / 51 cm  |
| 14 feet        | 30 inches / 76 cm  |
| 15 feet        | 48 inches / 122 cm                                       |
| 16 feet +      | 72 inches / 183 cm                                       |



### Matthews Fan Company

1881 Industrial Drive  
Libertyville, IL 60048  
Tele: 847.680.9043  
Fax: 847.680.8140

www.matthewsfanco.com

© 2019 Matthews Fan Company. All rights reserved.