



Vent-Bettina

Designed in 2002

shown in Brushed Nickel
with wood blades



	Safety cage compatible
	Proudly assembled with American labor
	Handmade



shown in Polished Chrome
with metal blades and
safety cage

The Vent-Bettina 360° rotational fan is thoughtfully designed with its arms gently upward curving. The fan offers fluid lines and quiet axial rotation with motor heads which can be infinitely positioned in 180-degree arcs for optimum air movement; the greater the angles of the motors to the horizontal support rods (up or down), the faster the axial rotation. A slow, controlled axial rotation is achieved by both fan head position and fan blade speed. Matthews 360° rotational fans circulate heat and air conditioning more efficiently than traditional paddle fans. Constructed of cast aluminum, heavy spun and stamped steel, the Vent-Bettina carries a limited lifetime warranty.

Current specification sheets can be found at MatthewsFanCo.com. (08_2019)

Matte Black	Bronze (Plate)	Bronzette (Powdercoat)
Brushed Nickel	Polished Chrome	Polished Copper

Standard Finishes

Brushed Brass	Polished Brass	Agua Marinha	Safira	Ametista	Ouro
Brushed Copper	Polished Chrome Damp	Jade	Esmeralda	Rubi	Black Nickel
Brushed Nickel Damp	Gloss White				

Special Order Finishes

Vent-Bettina

TECHNICAL SPECIFICATIONS

FAN SPECIFICATIONS

Fan Weight	19 lbs
Voltage	110 or 220
Motor Type	AC
Downrods Lengths Field cuttable. Non-threaded	inches: 10, 20, 30, 48, 72 centimeters: 25, 51, 76, 122, 183
Downrod Diameter	.75 inch
Overall Drop	7 inches / 18 cm + downrod length
Environment	Damp location with protective powder or clear coat only. Neither coastal, saltwater nor chlorine compatible.
Ambience	Soothing White Noise
Safety Certification	UL / CUL
Warranty	Limited Lifetime

NEW JAN 21, 2020 DOE MOTOR EFFICIENCY DATA

Fan Head Options	Solid Mahogany Wood ¹	Metal with Guard
Fan Diameter	44 inches / 112 cm	42 inches / 107 cm
Fan Blade Diameter	16 inches / 41 cm	13 inches / 33 cm
Guard Options	No Cage Option	Decorative Cage or Safety Cage with tight fines ²
Blade Pitch	19°	31°
CFM (Low / High)	2070 / 3293	1346 / 2077
RPM (Low / High)	796 / 1252	699 / 1101
Watts (High)	87.32	89.63
CFM / Watt (High)	37.71	23.17

SKU NAMING CONVENTION

SKU#	VB-XX-XXX (Model+Finish+Fan Blade)	
Standard Finishes	Black	— BK
	Bronze	— BZ
	Bronzette	— BZZT
	Brushed Nickel	— BN
	Polished Chrome	— CR
Special Order	Polished Copper	— CP
	Brushed Brass	— BRBR
	Polished Brass	— PB
	Brushed Copper	— BRCP
	Polished Chrome Damp	— CRDAMP
	Brushed Nickel Damp	— BNDAMP
	Gloss White	— WH
	Agua Marinha	— LTBLUE
	Safira	— BLUE
	Ametista	— LTPURPLE
	Ouro	— GOLD
	Jade	— LTGREEN
	Esmeralda	— GREEN
Rubi	— RED	
Black Nickel	— BKN	
Fan Blade	Wood Blade	— WD
	Metal Blade	— MTL

¹ Matthews' Brazilian mahogany is ecologically harvested.


² Safety cages with tight fines are for use in low ceiling applications: 7 ft in USA and 8.2 ft in Canada

STANDARD EQUIPMENT

One downrod of 10 inches / 13 cm

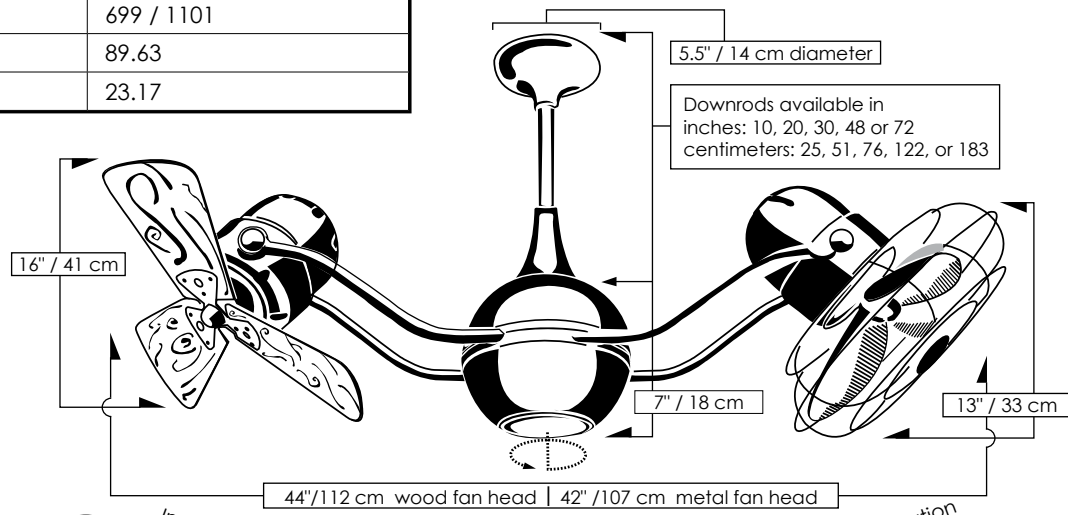
Flat ceiling canopy

Decora-style, 3-speed wall control in white



OPTIONAL EQUIPMENT

29° vaulted ceiling mount and canopy



CEILING PITCH TABLE

Downrod Length	Angle
0/12	0 degrees
1/12	4.76 degrees
2/12	9.46 degrees
3/12	14.04 degrees
4/12	18.43 degrees
5/12	22.62 degrees
6/12	26.57 degrees
7/12	30.26 degrees
8/12	33.69 degrees
9/12	36.87 degrees
10/12	39.81 degrees
11/12	42.51 degrees



CEILING HEIGHT / DOWNROD TABLE

Ceiling Height	Downrod Lengths Field cuttable Non-threaded
10 ft or less	10 inches / 25 cm <i>Use safety cage if applicable</i>
10-12 feet	10 inches / 25 cm
13 feet	20 inches / 51 cm
14 feet	30 inches / 76 cm
15 feet	48 inches / 122 cm
16 feet +	72 inches / 183 cm

Increasing Angles of Fan Heads to Support Poles Increases Speed of Axial Rotation
Optimum Fan Head Position is 60°



Matthews Fan Company

1881 Industrial Drive
Libertyville, IL 60048
Tele: 847.680.9043
Fax: 847.680.8140
www.matthewsfanco.com

© 2019 Matthews Fan Company. All rights reserved.