

MOEN®

Specifications

DESCRIPTION

- Metal construction with various finishes identified by suffix
- Compatible with M•pact™ valve system

OPERATION

- Lever style handles
- Maximum handle rotation angle is 90° to full on for either handle
- Rotate hot side handle counterclockwise to open (clockwise to close)
- Rotate cold side handle clockwise to open and (counterclockwise to close)

FLOW

- Water usage is limited to these maximum flow rates as indicated by the corresponding product markings.
- 1.2gpm max (4.5L/min)

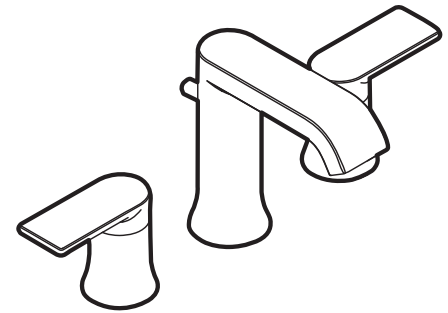
STANDARDS

- Third party certified to meet ASME A112.18.1/CSA B125.1 and all applicable requirements referenced therein
- ADA ♿ for lever handles
- Certified to NSF 61/9 + 372

WARRANTY

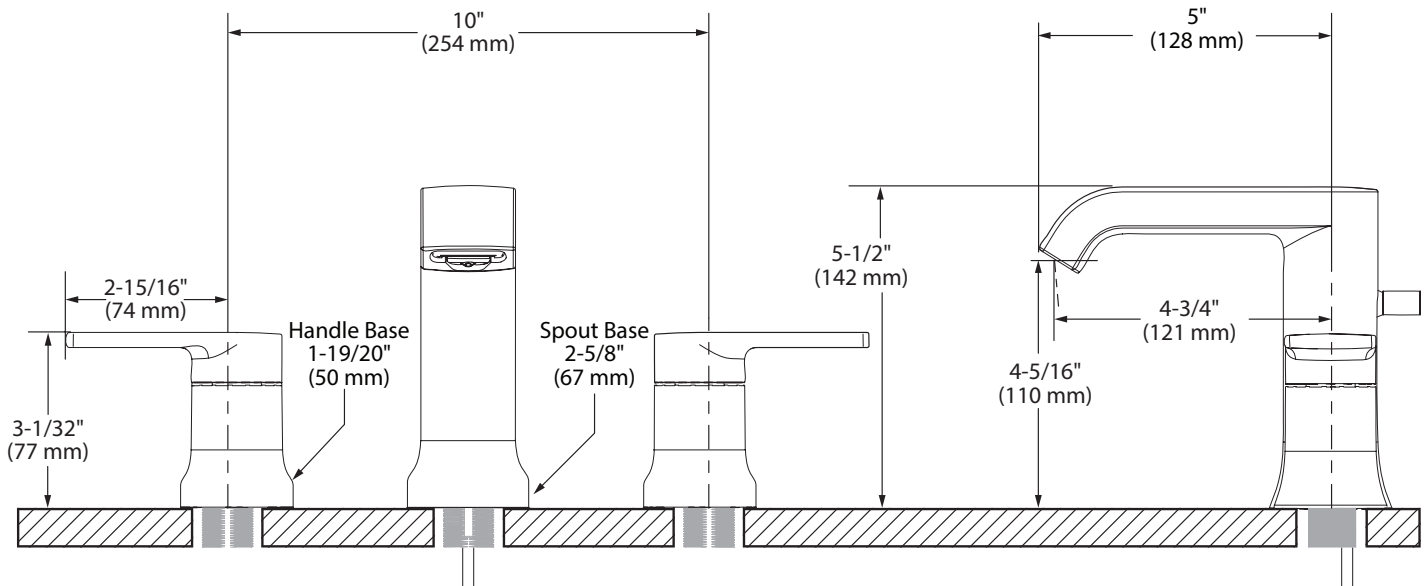
- Lifetime limited warranty against leaks, drips and finish defects to the original homeowner
- 10 year limited warranty when used in a multifamily installation
- 5 year limited warranty when used in a commercial installation

Visit www.moen.com/support for complete details and limitations



GENTA™
Two-Handle Widespread
Lavatory Faucet Trim
Models: T6708 series

Valves: 9000, 69000



CRITICAL DIMENSIONS

(DO NOT SCALE)