

INSTALLATION INSTRUCTIONS

Model Audio XBK & Audio XWH

PACKAGE CONTENTS:

- 1x AudioX [pair of speakers]
- 1x Installation Instructions
- 2x Templates
- 1x power cable
- 1x audio cable

SPEAKER RATINGS:

60 watt peak/25 watt RMS/8 ohm impedance/5" depth
 Operating Temperature 0 °C – 60 °C (32 °F – 140 °F)

SUPPLY RATING:

100-240 VAC, 50/60 Hz, 1.0 A max.

1. Cut a 6 9/16" x 6 9/16" (167 mm x 167 mm) hole to mount each speaker.
 The maximum distance between each speaker is 15 feet.

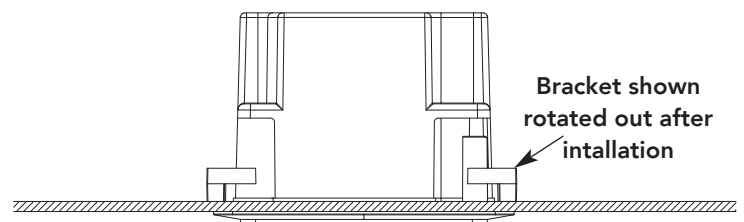
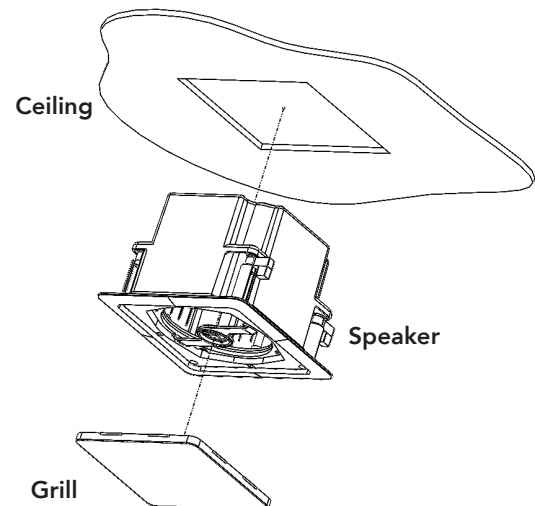
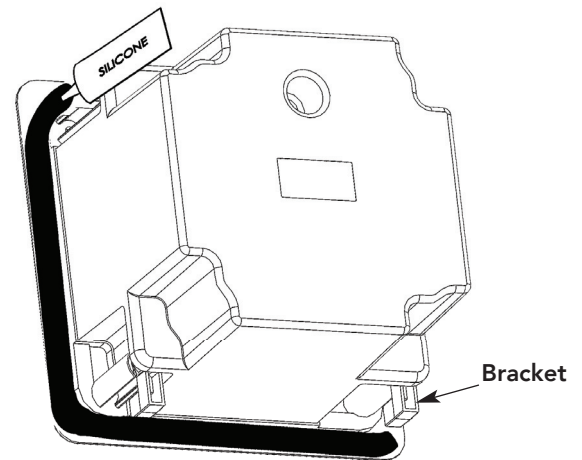
- CAUTION** All audio wiring shall be installed in accordance with National Electric Code and local electrical codes.
2. Connect power supply and audio cable to the primary AudioX speaker and to wall outlet.
 3. Connect to the speaker and test speakers before securing to ceiling.
 4. Remove the front grill of the AudioX by gently rotating out any two opposite brackets by hand as shown in the installed view and pressing them down to pop the grill off. Return the brackets to the original position before installing AudioX.

- CAUTION** Failure to engage mounting brackets correctly or improper installation may result in a falling object hazard.
5. Apply a bead of silicone RTV (not supplied) around the edge of the AudioX as shown in the diagram as required to obtain a watertight seal.
 6. Fit the AudioX into the speaker-mounting hole.
 7. Secure the AudioX in place using the integral mounting brackets. The mounting brackets will rotate out and tighten when the 4 large screws are turned clockwise.

NOTE: DO NOT OVER TIGHTEN SCREWS.

8. Gently tug on speakers to ensure they are secure in the ceiling.
9. Carefully replace the AudioX grills by pressing them in place.
10. Let the silicone cure per manufacture's instructions before using steam room.
11. Connect the secondary AudioX speaker to the other end of the audio cable and repeat steps 4-10.

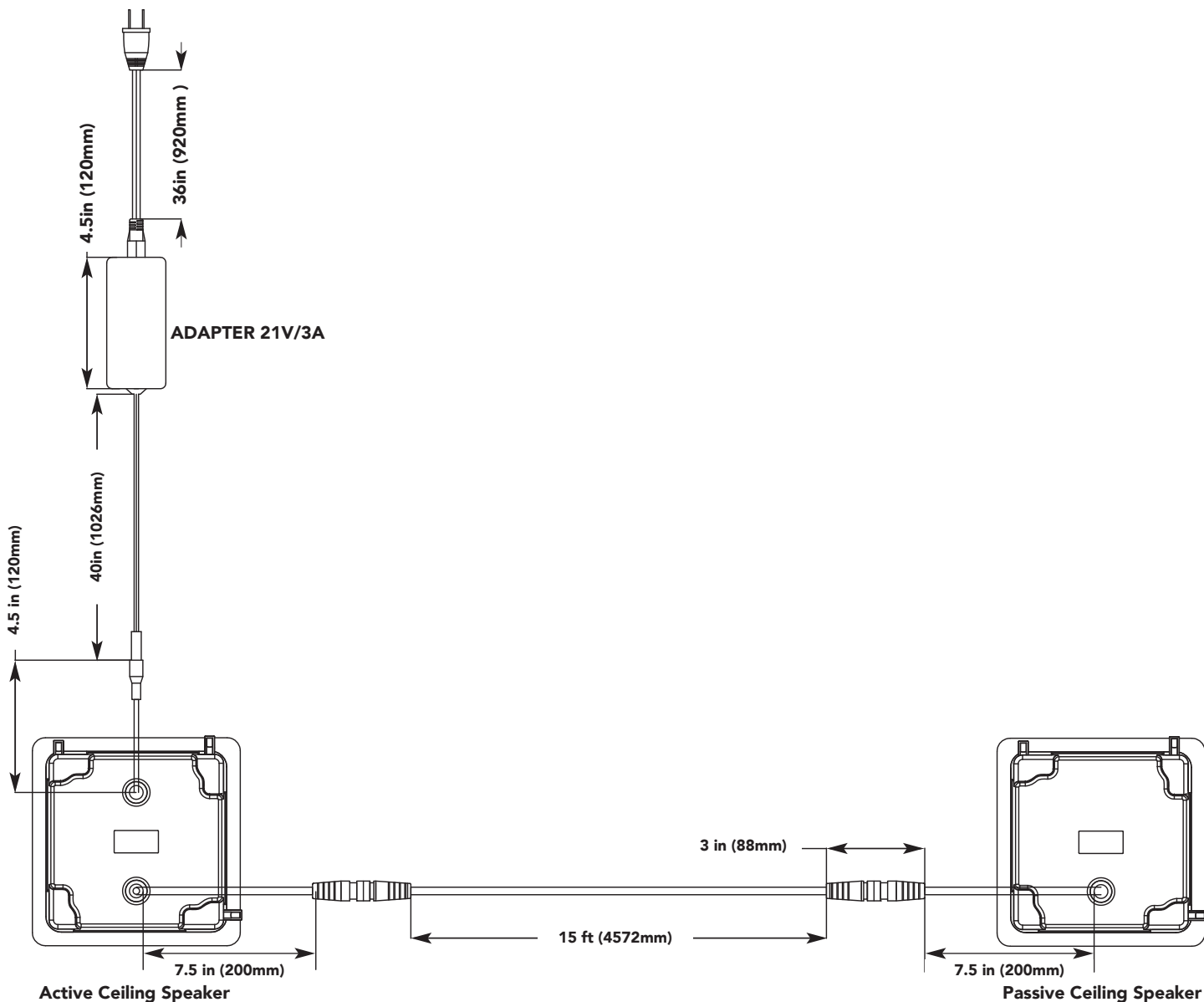
IMPORTANT: Do not place AudioX in contact with direct water or steam emission.

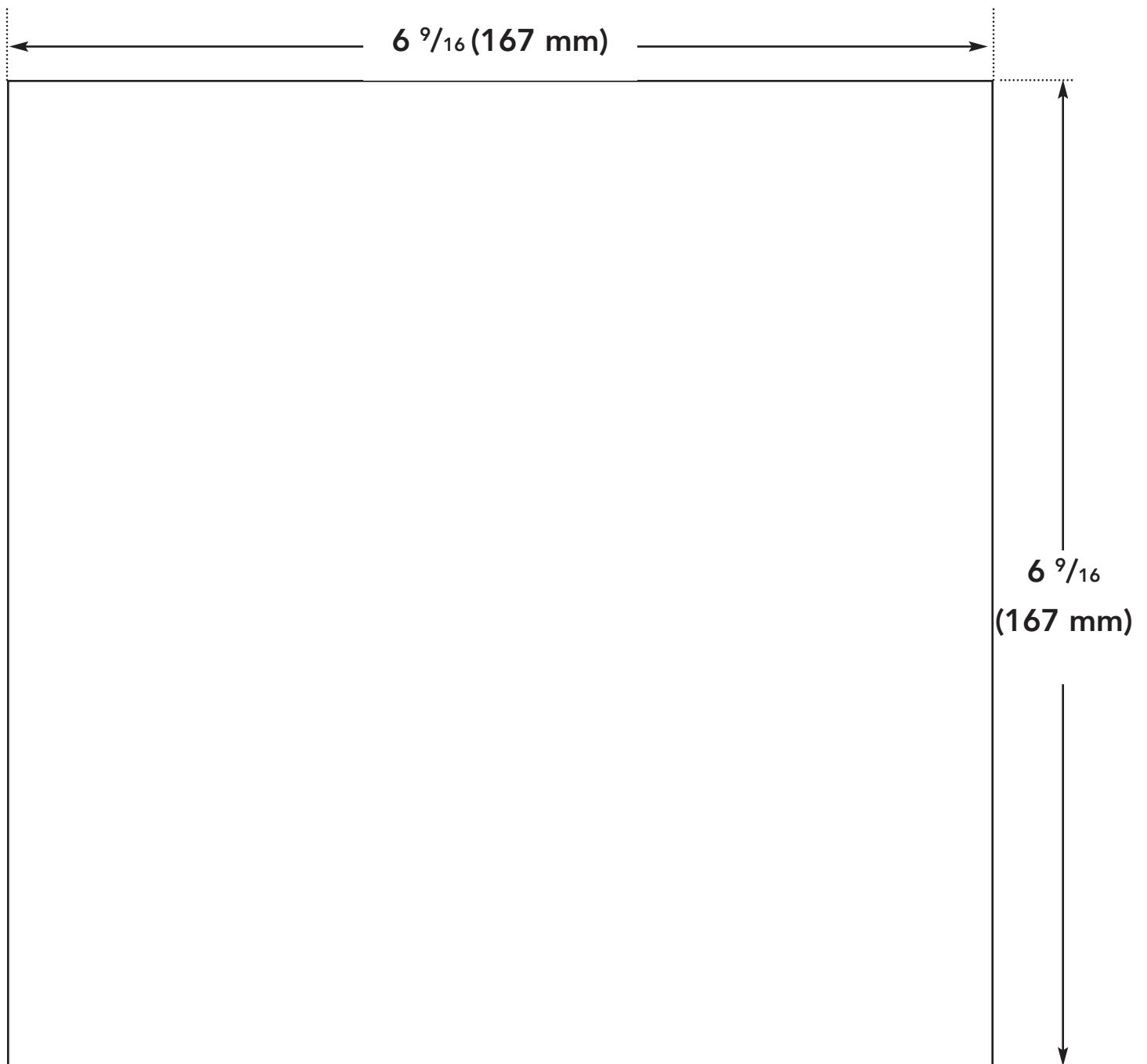


Connecting to AudioX

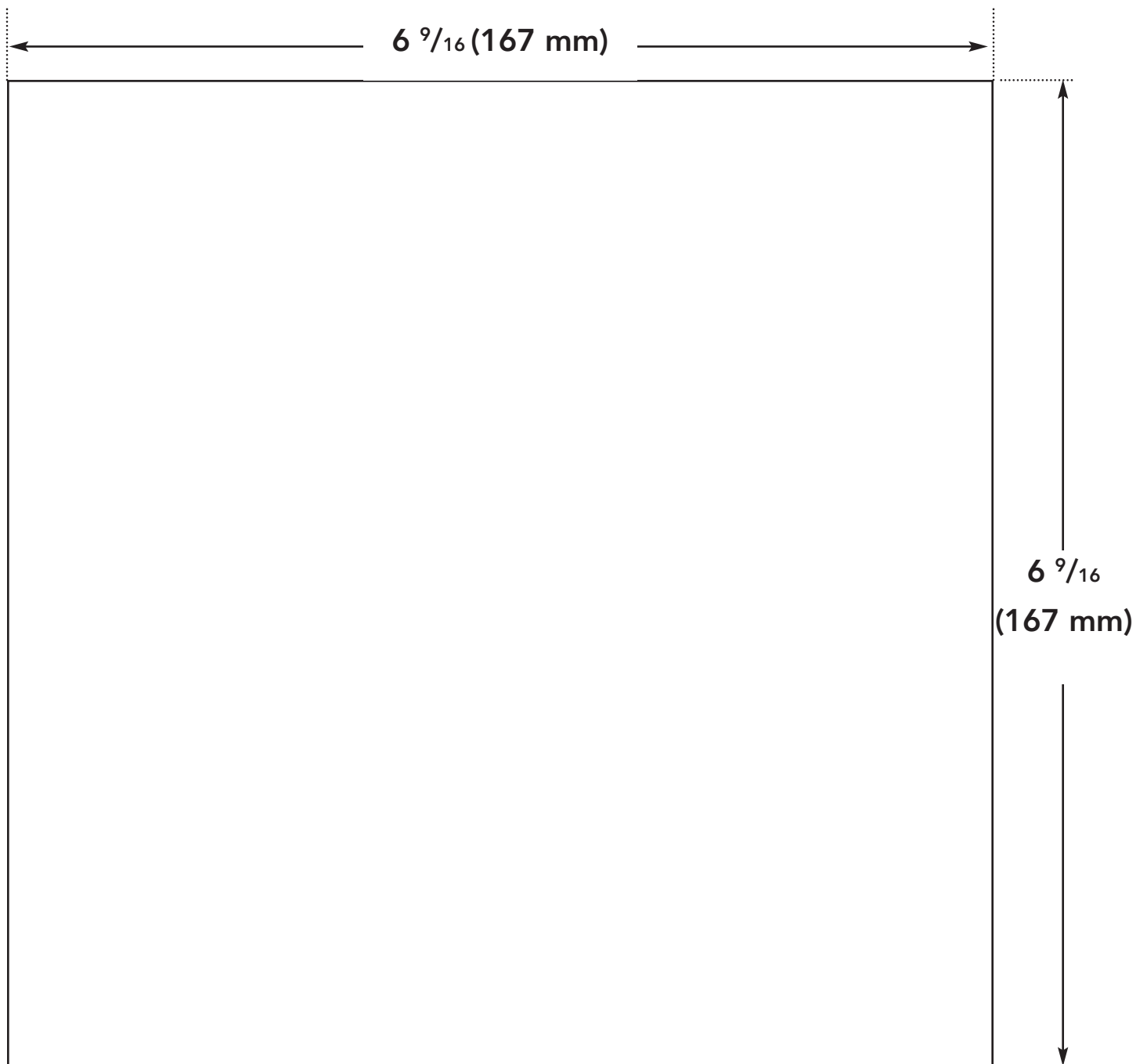
1. On your iSteamX, go the system settings page and select bluetooth
2. Tap pair new device and look for MrSteam
3. When prompted, enter the default password: 1234

WIRING DIAGRAM





WARRANTY: To view or download the MrSteam Controls & Accessories Warranty and register your product go to: blog.mrsteam.com/wr



WARRANTY: To view or download the MrSteam Controls & Accessories Warranty and register your product go to: blog.mrsteam.com/wr

WARNING

Model Audio XBK & Audio XWH

FCC Warning:

Any Changes or modifications not expressly approved by the party responsible for compliance could void the user's authority to operate the equipment.

This device complies with part 15 of the FCC Rules. Operation is subject to the following two conditions:

1. This device may not cause harmful interference, and
2. this device must accept any interference received, including interference that may cause undesired operation.

Note: This equipment has been tested and found to comply with the limits for a Class B digital device, pursuant to part 15 of the FCC Rules. These limits are designed to provide reasonable protection against harmful interference in a residential installation. This equipment generates uses and can radiate radio frequency energy and, if not installed and used in accordance with the instructions, may cause harmful interference to radio communications. However, there is no guarantee that interference will not occur in a particular installation. If this equipment does cause harmful interference to radio or television reception, which can be determined by turning the equipment off and on, the user is encouraged to try to correct the interference by one or more of the following measures:

- Reorient or relocate the receiving antenna.
- Increase the separation between the equipment and receiver.
- Connect the equipment into an outlet on a circuit different from that to which the receiver is connected.
- Consult the dealer or an experienced radio/TV technician for help.

This transmitter must not be co-located or operating in conjunction with any other antenna or transmitter.

This equipment complies with FCC radiation exposure limits set forth for an uncontrolled environment. This equipment should be installed and operated with minimum distance 20cm between the radiator & your body.

ISED Warning:

This device contains license-exempt transmitter(s)/receiver(s) that comply with Innovation, Science and Economic Development Canada's license-exempt RSS(s). Operation is subject to the following two conditions:

1. This device may not cause interference.
2. This device must accept any interference, including interference that may cause undesired operation of the device.

L'émetteur/récepteur exempt de licence contenu dans le présent appareil est conforme aux deux conditions suivantes:

1. L'appareil ne doit pas produire de brouillage;
2. L'appareil doit accepter tout brouillage radioélectrique subi, même si le brouillage est susceptible d'en compromettre le fonctionnement.

This transmitter must not be co-located or operating in conjunction with any other antenna or transmitter. Cet émetteur ne doit pas être colocalisé ou fonctionner en conjonction avec une autre antenne ou un autre émetteur.

The device meets the exemption from the routine evaluation limits in section 2.5 of RSS-102 and compliance with RSS-102 RF exposure, users can obtain Canadian information on RF exposure and compliance. This equipment should be installed and operated with a minimum distance of 20 centimeters between the radiator and your body.

Le dispositif rencontre l'exemption des limites courantes d'évaluation dans la section 2.5 de RSS 102 et la conformité à l'exposition de RSS-102 rf, utilisateurs peut obtenir l'information canadienne sur l'exposition et la conformité de rf.

Cet émetteur ne doit pas être Co-placé ou ne fonctionnant en même temps qu'aucune autre antenne ou émetteur. Cet

mr.steam®

Feel Good Inc.®

www.mrsteam.com

Products, information and specifications are subject to change without notice.

Please call Technical Support at 1.800.76.STEAM (East Coast) or 1.800.72.STEAM (West Coast) for more information.

mr.steam® | hello@mrsteam.com | www.mrsteam.com

43-20 34th Street, Long Island City, NY 11101 TEL: 1 800 76 STEAM | 9410 S. La Cienega Blvd. Inglewood CA 90301 TEL: 1 800 72 STEAM

2020 © MrSteam and des., A Lifetime of Pleasure, AirTempo, AromaFlo, AudioWizard, AutoFlush, AutoSteam, Butler Package, ChromaSteam, Clean Steam...Every Time, Club Therapy, CT Day Spa, Digital 1, Express Steam, Feel Good Inc., From Bathroom to Spa, HomeWizard, iButler, iGenie, iSpa Package, iSteam, iTempo, iTempo/Plus, Linear Steamhead, Making Wellness a Way of Life, Music Therapy, My Steam, SmartSizing, Spa Package, Steam Genie, Steam on Demand, Steam in a Box, Steam@Home, SteamStart, SteamTherapy, MrSteam, Tala, Tala Bath & Body, Tempo, The Intelligent Steam Bath, Valet Package, and Virtual Spa System are registered trademarks of MrSteam. PUR 100581 Rev 3.24