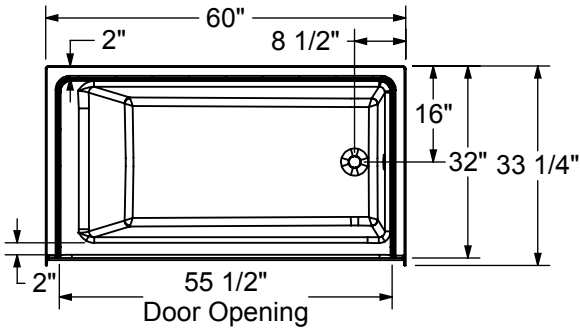
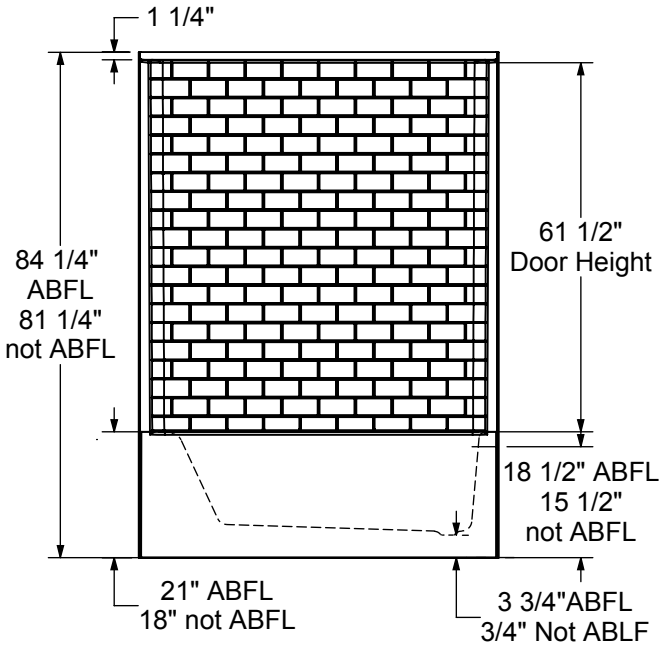
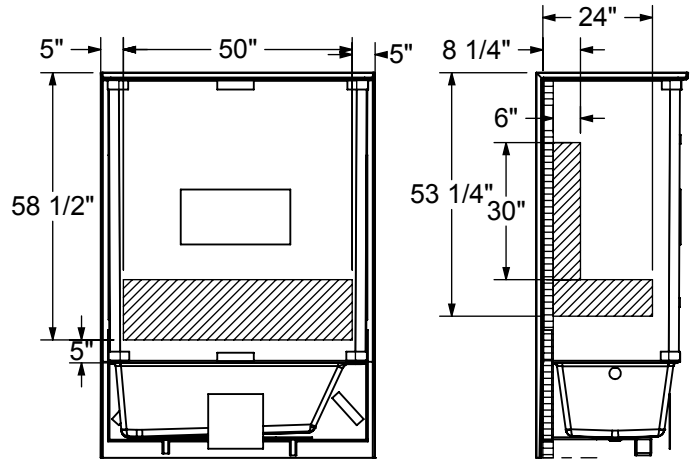


**STANDARD  
(Right Shown)**

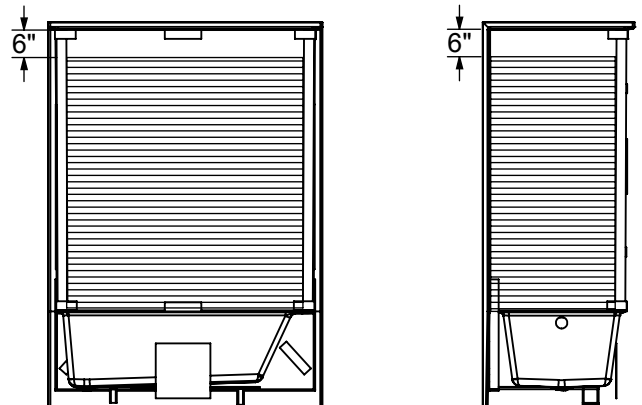


**OPTIONAL REINFORCEMENT**

**BUILDER BACKING Option**



**FULL WALL Reinforcement Option  
SINGLE WALL Reinforcement Option**



**All dimensions are approximate. Structure measurements must be verified against the unit to ensure proper fit.**