

BATHROOM FAUCET:

- Parkwood™ Collection
- Two Handle Widespread, Deck Mount
- 3 Hole Sink Applications
- 6" To 16" Widespread

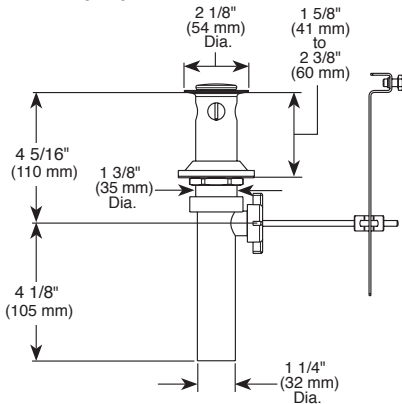
STANDARD SPECIFICATIONS:

- Maximum 1.0 gpm @ 60 psi, 3.8 L/min @ 414 kPa.
- Widespread - 6" (152mm) to 16" (406mm) centers.
- 1/4 turn handle stops
- 1/2"-14 NPSM adapters
- Ceramic cartridge
- Models have drain with pop-up type fitting with plated flange and stopper.

WARRANTY:

- Parts and Finish - Lifetime limited warranty; or for commercial purchasers, 10 years for multi-family residential (apartments and condominiums) and 5 years for all other commercial uses, in each case from the date of purchase.

RP38958▲ 50/50 Pop-Up



COMPLIES WITH:

- ASME A112.18.1 / CSA B125.1
- ASME A112.18.2 / CSA B125.2

Indicates compliance to ICC / ANSI A117.1

- EPA WaterSense®