

CAUTION: Read instructions carefully and turn electricity off at main circuit breaker panel before beginning installation.

PCIM

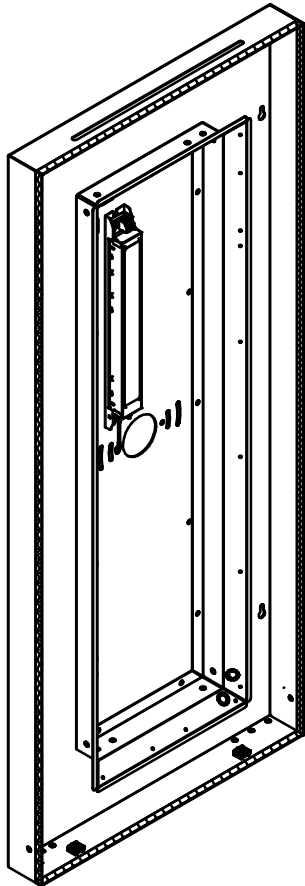
WARNING - If any Special Control Devices are used with this Fixture, Follow the Instructions Carefully to assure full compliance with N.E.C. requirements. If there are any questions, contact a Qualified Electrical Contractor.

WARNING - This product contains chemicals known to the State of California to cause cancer, birth defects and /or other reproductive harm. Thoroughly wash hands after installing, handling, cleaning, or otherwise touching this product.
 CAUTION - All glass is fragile, use care when handling Glass component(s) and or Lamp(s).

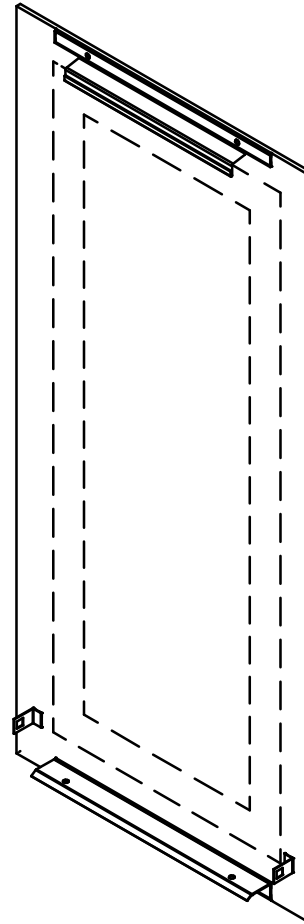
PACKAGING

The Progress Illuminated Mirror is shipped in (2) separate packages. One for the Housing + Hardware and the other for the Mirror. Prior to installation, verify that both packages have been received and that the Mirror is matched in size to the Housing. The Table below identifies the correct sizes for each model.

Note: It is recommended that the mirror remains in its packaging until the installer is ready to install the mirror onto the housing.



Box 1 - Housing Assembly



Box 2 - Mirror with Brackets

Housing & Mirror Compatibility	
Housing	Mirror Part Number
PCIM1-1839-8XX	93088785
PCIM1-2543-8XX	93088787
PCIM1-3143-8XX	93088788
PCIM1-3743-8XX	93088789

CAUTION: Read instructions carefully and turn electricity off at main circuit breaker panel before beginning installation.

1. Mount Metal Housing on Wall

Identify the desired mirror location on wall. Mark the (4) holes for mounting as shown in Fig. 1. Use (4) lag screws or other appropriate fasteners to secure the housing to the wall structure. Where the wall structure is not available for attaching the mirror, use an appropriate wall anchor, toggle bolts or install backing behind the wall to provide a secure mounting structure for the fixture housing.

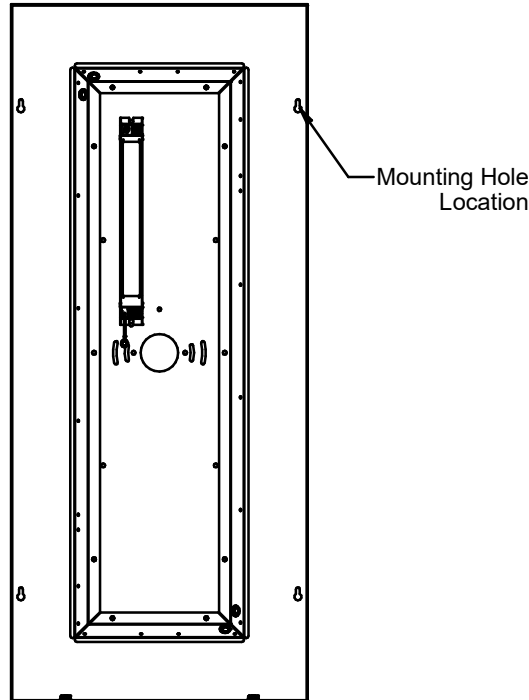


Fig. 1

(The 18" x 39" housing depicted. The mounting holes will vary in position for other sizes.)

2. Wiring Connection

NOTE: All wiring should be done by a certified electrician in accordance with the National Electric Code and local building codes.

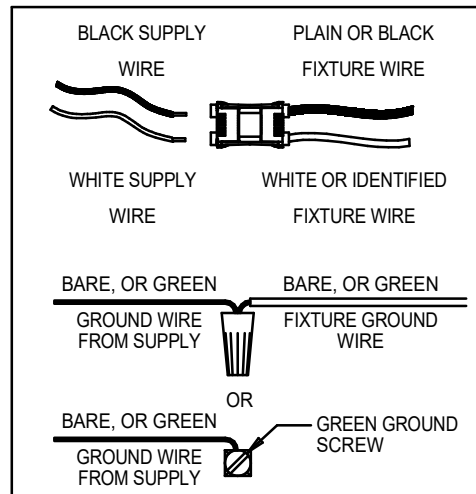


Fig. 2

CAUTION: Read instructions carefully and turn electricity off at main circuit breaker panel before beginning installation.

3. Apply Gasket to Top Bracket

Locate the strip of Gasket in the parts bag and peel off the backing from the Gasket. Apply Gasket to Top Bracket so that the Gasket overhangs evenly on both sides of the Top Bracket (Fig. 5).

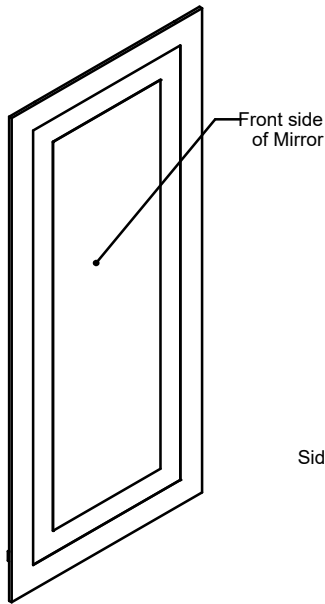


Fig. 3

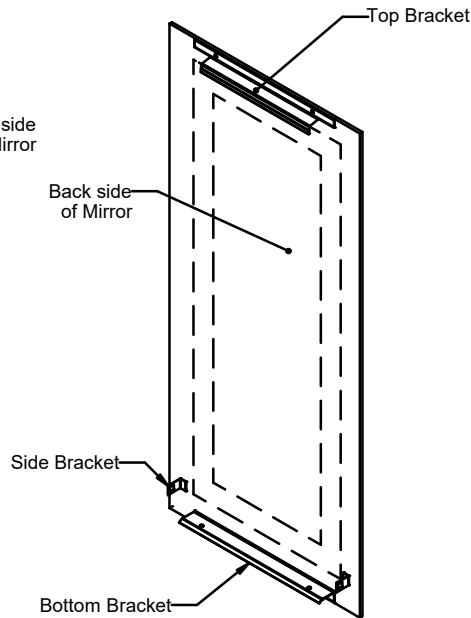


Fig. 4

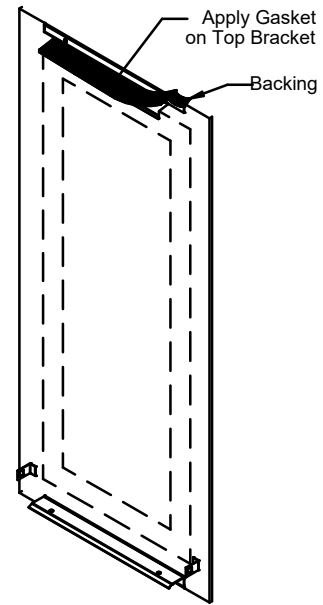


Fig. 5

4. Installing Mirror to Housing

Align the Top Bracket of the Mirror with the Top Bracket Slot of the Housing (Fig. 6). Keep the Mirror slightly angled (Fig. 7) while sliding the Top Bracket into the Top Bracket Slot until the Bottom Bracket is able to clear the bottom of the Housing. Once the mirror is flush to the housing, align the Bottom Bracket holes with the Cage Nuts in the Housing and use the Thumb Screws to secure the Bottom Bracket to the Housing (Fig. 8).

Note: If there is not enough space to secure the mirror using the bottom bracket, install the cage nuts (included in parts bag) to the mirror side brackets and follow step 5.

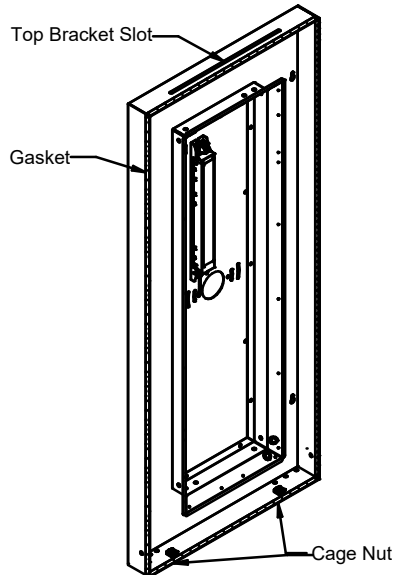


Fig. 6

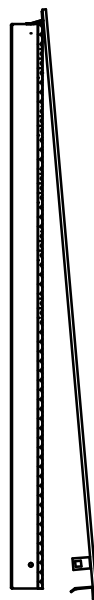


Fig. 7

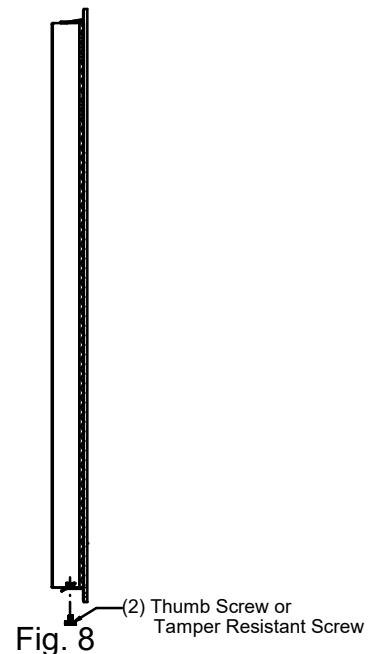


Fig. 8

CAUTION: Read instructions carefully and turn electricity off at main circuit breaker panel before beginning installation.

5. (Optional) Installing Mirror to Housing

Insert the Cage Nuts into the Side Mirror Bracket (Fig. 10). Align the Top Bracket of the Mirror with the Top Bracket Slot of the Housing (Fig. 9). Keep the Mirror slightly angled (Fig.11) while sliding the Top Bracket into the Top Bracket Slot until the Bottom Bracket is able to clear the bottom of the Housing. Once the mirror is flush to the housing, align the Side Bracket holes with the Cage Nuts and use the Thumb Screws or Tamper Resistant Screws to secure the Mirror to the Housing (Fig. 12).

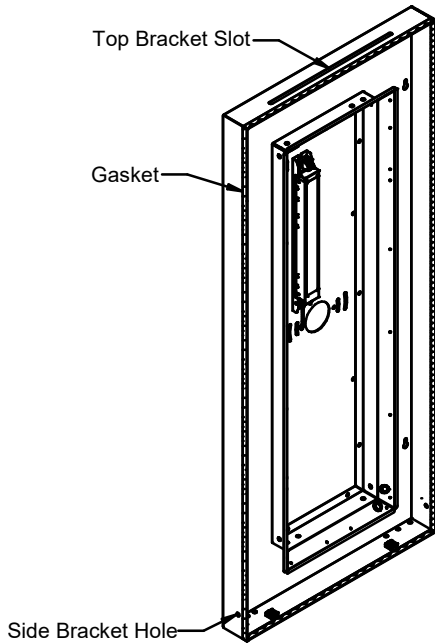


Fig. 9

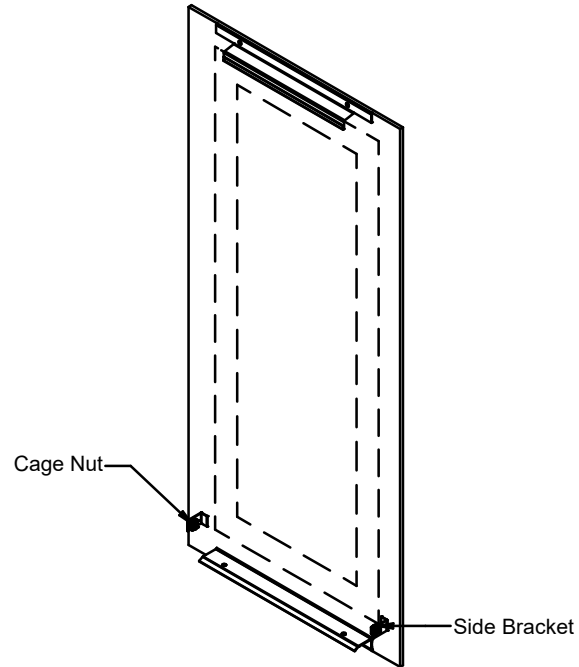


Fig. 10

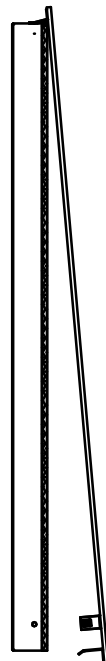


Fig. 11

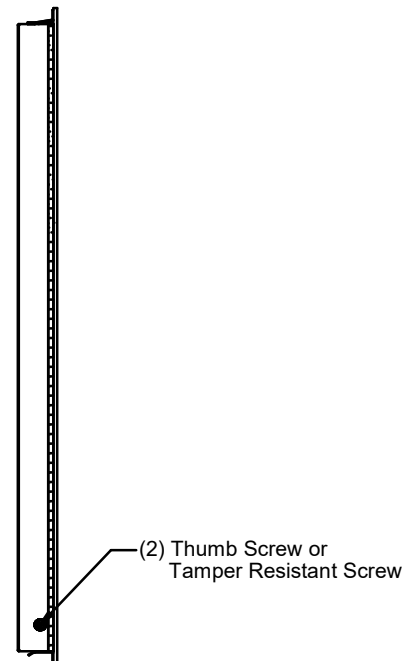


Fig. 12

CAUTION: Read instructions carefully and turn electricity off at main circuit breaker panel before beginning installation.

6. Remove Protective Layer

Note: Do not remove the protective layer on the back of the Mirror.

Remove the protective film from the room side of the Mirror by carefully pulling back from a corner. (Fig. 13) Do not use a knife or tool to do this to avoid damaging the Mirror surface.

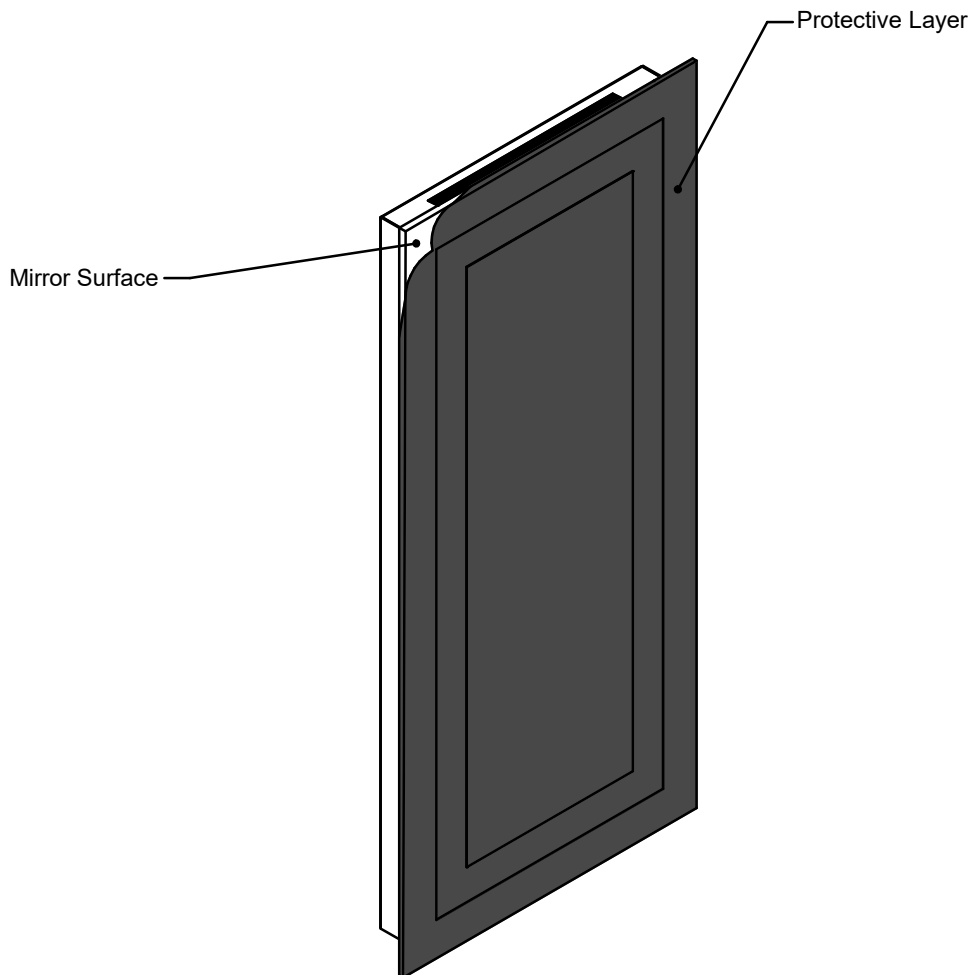


Fig. 13

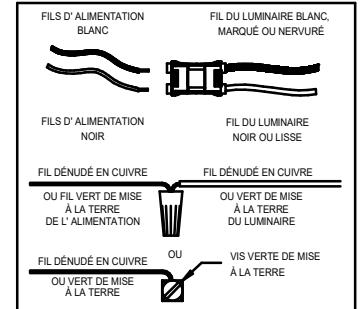
Instructions d'Assemblage et Installation

MISE EN GARDE: Lire les instructions avec soin et couper le courant au disjoncteur central avant de commencer l'installation.

AVERTISSEMENT - S'il y a d'autres mécanismes régulateurs qui s'emploient avec ce dispositif, suivre soigneusement les instructions pour satisfaire aux exigences NEC. Si vous avez des questions, consulter un électricien qualifié.

AVERTISSEMENT - Ce produit contient des composants chimiques qui selon L'état de Californie provoquent un cancer, des infirmités de naissance et (ou) du mal au système reproductif. Il faut laver les mains soigneusement après avoir installé, manipulé, nettoyé, ou autrement touché ce produit.

MISE EN GARDE - Le verre est toujours fragile; maniez le(s) composant(s) et/ou l' (les) ampoule(s) avec prudence.



Instrucciones de ensamblaje e instalación

PRECAUCIÓN: Lea cuidadosamente las instrucciones y desconecte la electricidad del cortacircuitos principal antes de iniciar la instalación.

ADVERTENCIA - Si usa algún dispositivo especial de control con este aparato de luz, siga las instrucciones cuidadosamente para asegurar la completa conformidad con los requisitos N.E.C. Si existe alguna duda, contacte un electricista calificado.

ADVERTENCIA - Este producto contiene sustancias químicas que según el Estado de California causa cáncer, defectos de nacimiento y (o) daño al sistema reproductor. Lavarse bien las manos después de instalar, manipular, limpiar o tocar de manera alguna este producto.

PRECAUCION - El vidrio es frágil; tenga cuidado al manipular el (los) elemento(s) de vidrio y/o la(s) bombilla(s).

