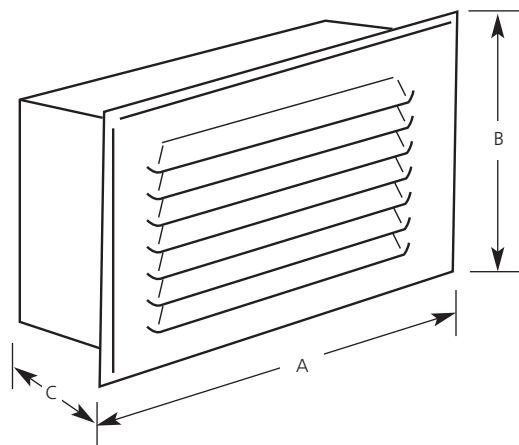


Type \_\_\_\_\_  
 -30TG -31TG  
 P6820

Catalog No.	Finish		Lamping	Dimensions (Inches)		
	White	Black		A	B	C
P6820	-30TG	-31TG	1-60w A19	8-5/8	5-7/8	3-1/2

Wall Opening = 5x7-5/8



**Specifications:**

Louver

- White powder coated steel
- Linear baffles direct all light downward
- Gasketed for light leak prevention
- Fastens to housing with torsion springs

Housing

- White or black steel
- Interior wiring compartment
- Two 1/2" KO's for wiring
- For indoor and protected outdoor use
- Thermal guard protection, must be 3" from insulation in stud walls
- Housing has brackets to accept P8716-01 hanger bars, if required

Electrical

- Medium base porcelain lampholder
- Multiple units can be wired together without the need of separate junction boxes

Labeling

- UL-CUL damp location listed