

PCIM SERIES

LED Illuminated Mirror

Specifications:

Description:

Architecturally designed to provide soft, pleasing illumination for bath and vanity applications. Mirror has perimeter etched panels on all four sides that are indirectly backlit to provide full facial rendering and to limit visible LED patterns on mirror face. .

Features:

- Perimeter etched panels are indirectly backlit to provide uniform illumination
- Mirror edges have brushed, radius treatment for consistency in appearance
- Available in three sizes: 25"x43", 31"x43" and 37"x43"
- Easy installation of metal housing; simple, hanging attachment of mirror to housing
- 80+ CRI; Available in 3000K, 3500K, and 4000K color temperature options
- Ideal for residential, multi-family, hospitality, and assisted living applications
- ADA compliant

Specifications:

- Construction:** One-piece 18ga. steel housing and powder coated brackets. 0.25" thick mirror with etched windows for backlighting. White, powder coat paint with an antimicrobial additive standard. LEDs mounted around perimeter of housing to provide indirect backlighting for enhanced uniformity.
- Installation/Mounting:** Surface mounted housing with four mounting points. Mirror brackets allow hangin attachment of housing. Safety screws provided to lock the mirror in place. Perimeter gasket between the housing and mirror ensures soft contact and prevents damage to mirror.
- Electrical:** Universal voltage, 120-277V, 50/60 Hz. 0-10V dimming standard.
- Listing:** cCSAus label for Damp Locations. ADA compliant. 5 Year limited warranty.

Images:



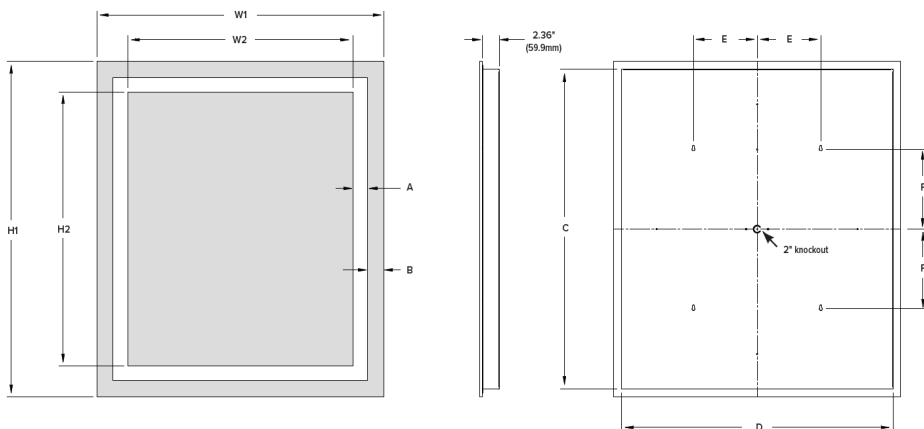
Performance:

	25 x 43	31 x 43	37 x 43
Lumens	1140	1653	1689
Wattage	24.4	36.2	35.9
Input (A)	0.205 / 0.088	0.304 / 0.131	0.302 / 0.130

** Based on 3500K CCT

Dimensions:

	2543	3143	3743
H1	43.0"(1092.2mm)	43.0"(1092.2mm)	43.0"(1092.2mm)
H2	34.3"(992.0mm)	34.3"(992.0mm)	34.3"(992.0mm)
W1	24.7"(627.4mm)	31.0"(787.4mm)	37.0"(939.8mm)
W2	16.0"(406.4mm)	22.3"(566.4mm)	28.3"(718.8mm)
A	1.8"(45.7mm)	1.8"(45.7mm)	1.8"(45.7mm)
B	2.5"(50.8mm)	2.5"(50.8mm)	2.5"(50.8mm)
C	40.1"(1018.5mm)	40.1"(1018.5mm)	40.1"(1018.5mm)
D	21.8"(553.7mm)	28.1"(713.7mm)	34.1"(916.9mm)
E	5.0"(127.0mm),0"	8.0(203.2mm)	8.0(203.2mm)
F	13.0"(330.2mm)	13.0"(330.2mm)	13.0"(330.2mm)



Catalog number:

Base	Capacity	CRI	CCT	Input
PCIM1 - LED Rectangular Illuminated Mirror	2543 - 25" x 43" 3143 - 31" x 43" 3743 - 37" x 43"	8 - >80	30 - 80CRI, 3000K 35 - 80CRI, 3500K 40 - 80CRI, 4000K	U - Universal (120-277V)