



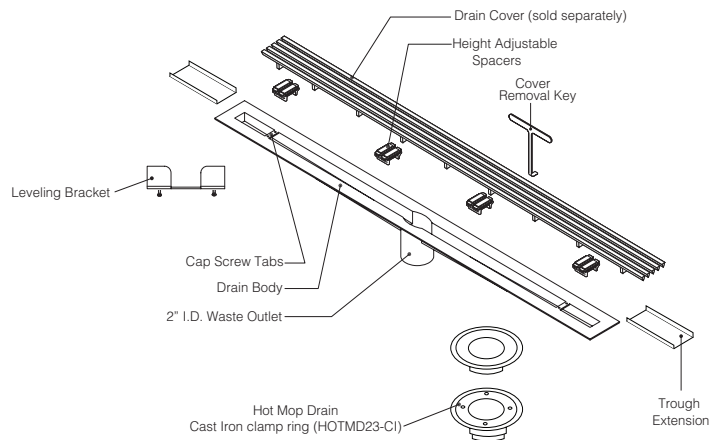
**PLD26-HMCI, PLD27.5-HMCI,
PLD30-HMCI, PLD33-HMCI, PLD36-HMCI,
PLD40-HMCI, PLD44-HMCI, PLD46-HMCI,
PLD48-HMCI, PLD52-HMCI, PLD57-HMCI,
PLD63-HMCI, PLD68-HMCI TECHNICAL
SPECIFICATION**

Job Name _____	Item # _____
Location _____	
Engineer _____	Contractor _____
PO # _____	Tag _____
Representative _____	

DESCRIPTION

- 18 Gauge 316L Stainless Steel
- Key feature of the drain body is a fully sloped trough that prevents standing water and solids being deposited in the trough
- 2" I.D. schedule 10 stainless steel down spout waste outlet
- Length adjustability of drain trough with use of trough extensions to accommodate finished openings from 26.25" - 72". QuickDrain USA recommends the drain cover extend the entire length of the shower pan (wall to wall or wall to curb)
- Height adjustability of drain cover with use of spacers for different thicknesses of finish material from 3/8" to 3/4". Custom spacers are available for finish material thicknesses from 1"- 2 1/2"
- Custom drain lengths available from 10"-100". Side outlets, Commercial outlets, Multiple outlets and Resinous drains.
- For more information on our custom drains please visit our website: www.quickdrainusa.com

PROLINE DRAIN CAST IRON HOT MOP ASSEMBLY



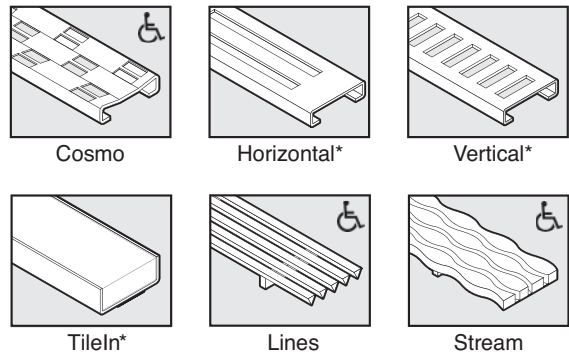
DRAIN BODY INCLUDES

- Height adjustable spacers*
- Trough Extensions (2)
- Cover Removal Key (2)
- ABS Hot Mop Drain (1)
- Leveling Brackets (2)

*See chart for part quantities of different drain lengths

APPROVALS AND LISTINGS

Before installing QuickDrain USA system, check with your local building department/plumbing inspector to ensure compliance with the local building codes. QuickDrain USA LLC is not responsible for any conflicts with local building codes. QuickDrain USA LLC is not responsible for improper installation of any part of the assembly or the waterproofing membrane. Dimensions are subject to manufacturer's tolerance and can change without notice.



*Not recommended for curbless entry showers

MODEL NUMBER	HEIGHT ADJUSTABLE SPACERS	COVER LENGTH
PLD26-HMCI, PLD27.5-HMCI	4	COVER32
PLD30-HMCI, PLD33-HMCI, PLD36-HMCI	4	COVER40
PLD40-HMCI, PLD44-HMCI, PLD46-HMCI	6	COVER48
PLD48-HMCI, PLD52-HMCI	6	COVER56
PLD57-HMCI	8	COVER64
PLD63-HMCI, PLD68-HMCI	8	COVER72

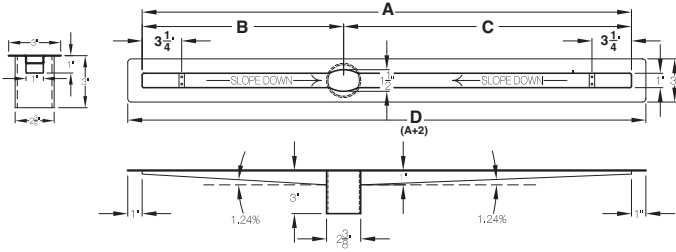
REQUIRED PART (NOT INCLUDED) - DRAIN COVER

- Available in the designs below and in these lengths – 32", 40", 48", 56", 64", and 72"



**PLD26-HMCI, PLD27.5-HMCI,
 PLD30-HMCI, PLD33-HMCI PLD36-HMCI,
 PLD40-HMCI PLD44-HMCI, PLD46-HMCI
 PLD48-HMCI, PLD52-HMCI PLD57-HMCI,
 PLD63-HMCI PLD68-HMCI TECHNICAL
 SPECIFICATION**

PROLINE DRAIN BODY DIMENSIONS



MODEL	A	B	C	D
PLD26-HMCI	26	13	13	28
PLD27.5-HMCI	27.5	13.75	13.75	29.5
PLD30-HMCI	30	12	18	32
PLD33-HMCI	33	16.5	16.5	35
PLD36-HMCI	36	15	21	38
PLD40-HMCI	40	17	23	42
PLD44-HMCI	44	19	25	46
PLD46-HMCI	46	23	23	48
PLD48-HMCI	48	21	27	50
PLD52-HMCI	52	23	29	54
PLD57-HMCI	57	25.5	31.5	59
PLD63-HMCI	63	31.5	31.5	65
PLD68-HMCI	68	34	34	70

INSTALLATION NOTES

- Install product according to the Typical ProLine Drain Installation details
- Drain body cannot be modified
- Drain cover can be cut on site to finished length
- When used at the entry to a curbless shower as a primary shower drain, the capacity of the drain is 5 GPM and COSMO, LINES, or STREAM are the only recommended cover patterns

- 1 Stud Wall
- 2 Backer Board
- 3 Wall tile and Grout
- 4 Thin-set (for wall tile)
- 5 Reinforced Concrete Slope
- 6 Hot Mop
- 7 Preslope
- 8 Subfloor
- 9 Drain Cover
- 10 Spacer
- 11 Drain Body
- 12 Extension
- 13 Hot Mop Drain-Cast Iron

