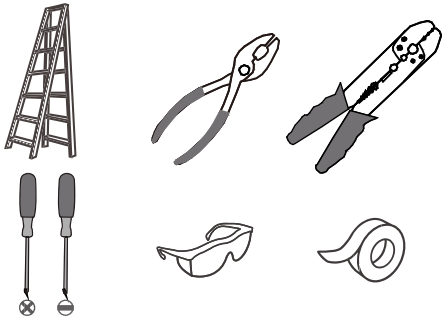
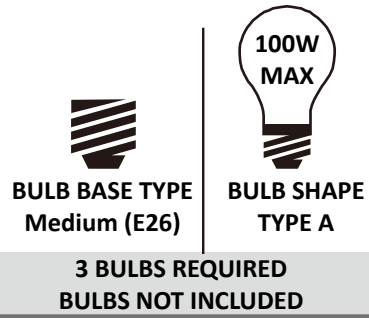


Tools Required



Light Source



Warnings and Cautions

Turn off the electricity at the circuit breaker before installation. Consult a licensed electrician if in doubt about installation.

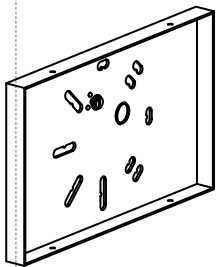
Turn off power to the fixture and allow the bulbs to cool before replacing.

Package Contents

Preparation: Identify and inspect all parts before beginning the installation.

Missing or damaged parts? Contact your original place of purchase.

PARTS BAG



- A** Inner Backplate x 1
- B** Mounting Screw x 4
- C** Outlet Box Screw x 2
- D** Wire Connector x 3

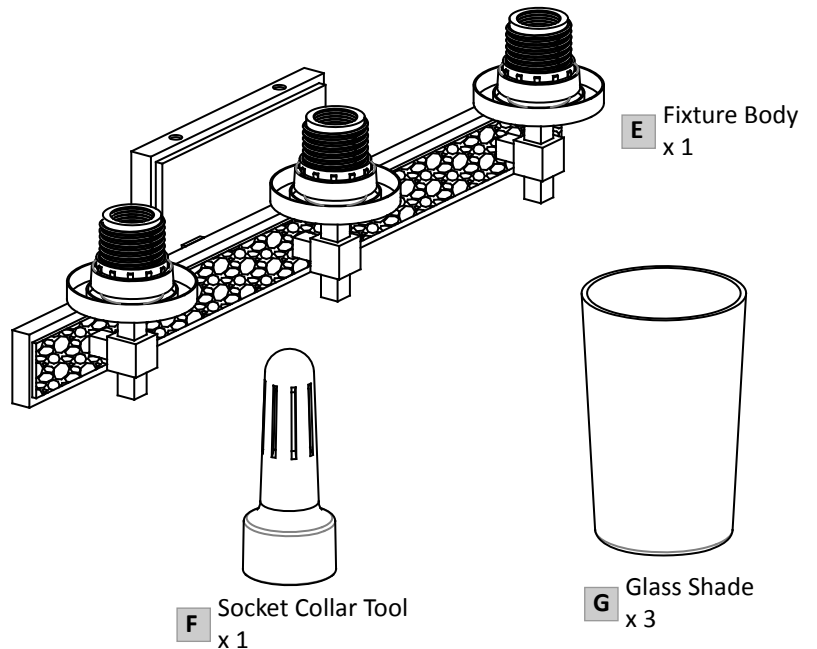
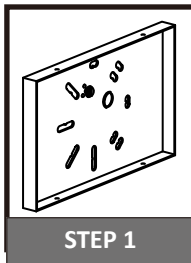
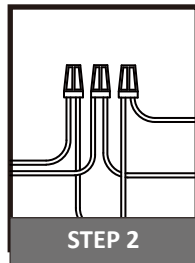


Table of Contents

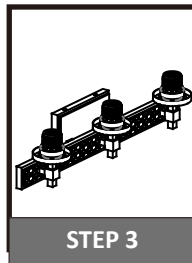
Inner Backplate



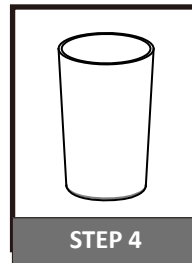
Wiring



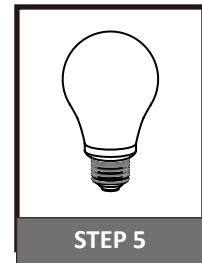
Fixture Body



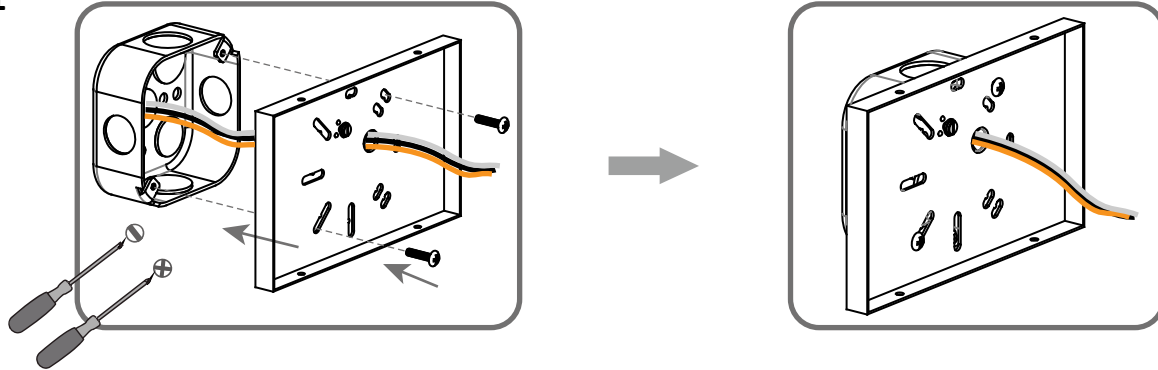
Glass Shade



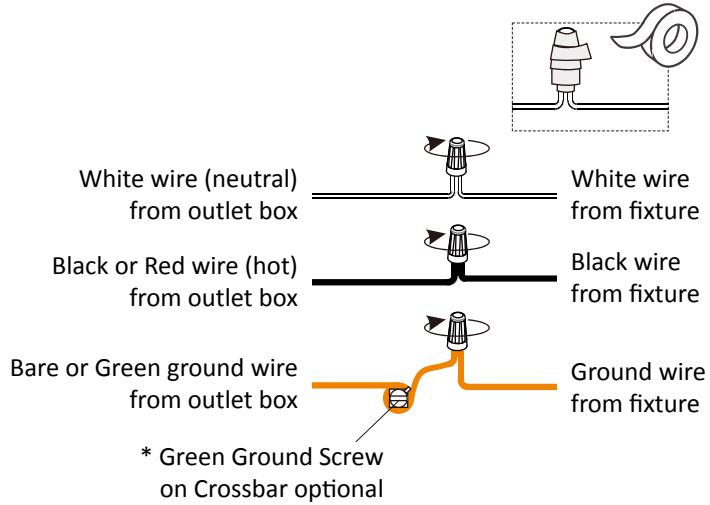
Bulb



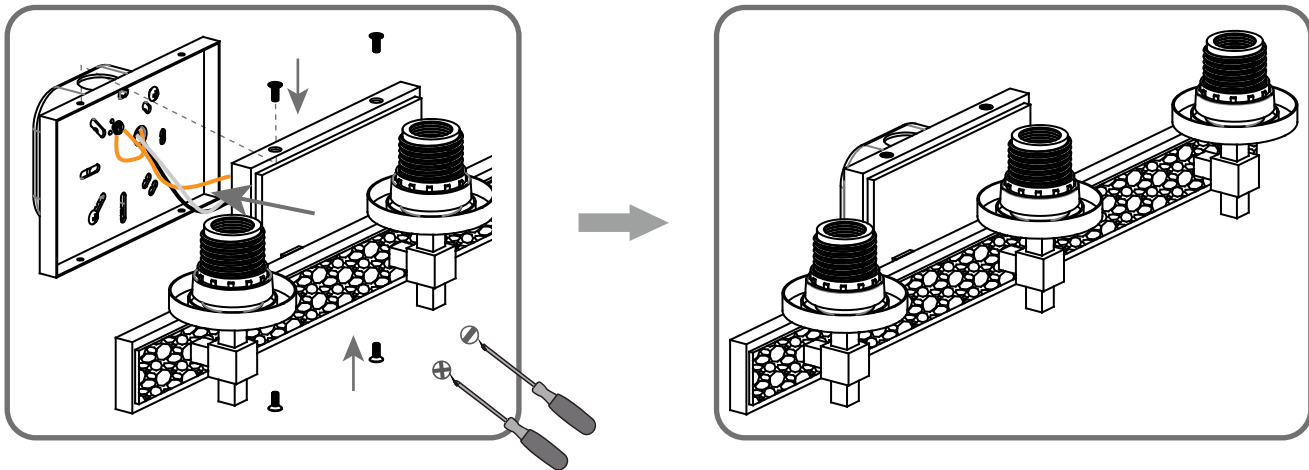
STEP 1



STEP 2



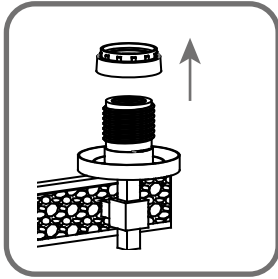
STEP 3



STEP 4

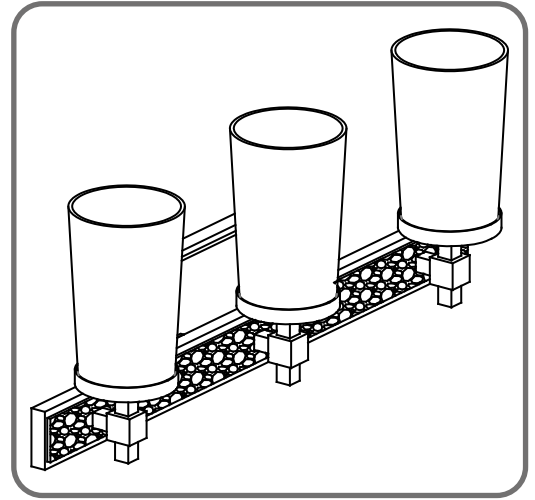
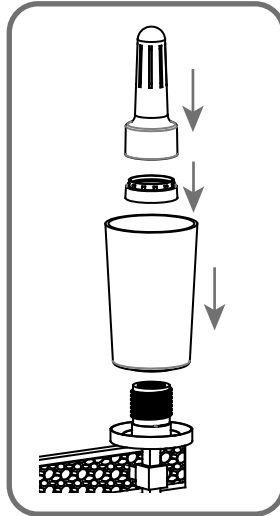
1

Remove socket collar



2

Install glass shade



STEP 5

