

SAFETY INFORMATION

Please read and understand this entire manual before attempting to assemble, install or operate the product.

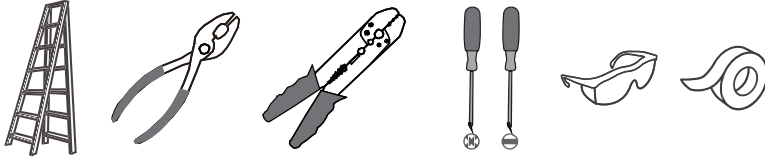
WARNING

- RISK OF ELECTRIC SHOCK - Before beginning installation, turn off electricity at the circuit breaker box or the main fuse box.

CAUTION

- For your safety, read instructions completely before beginning installation.
- If in doubt about electrical installation, consult a licensed electrician.

TOOLS REQUIRED



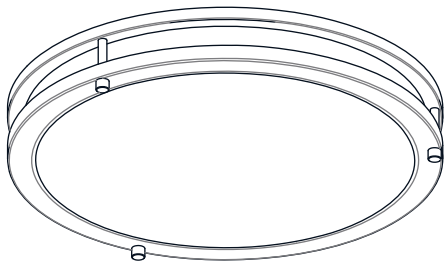
Ratings	120 ~ 277Vac, 60Hz	
	Model No.	Wattage
	EUC1612W	14W
	EUC1612BN	14W
	EUC1616W	25W
	EUC1616BN	25W

CARE AND MAINTENANCE

- Wipe clean using soft, dry cloth or static duster. Always avoid using harsh chemicals and abrasives to clean fixture as they may damage the finish.

If you need further assistance call Quozel Customer Care at 1-800-645-3184 (9:00am - 5:00pm EST), or visit us on-line at www.quezel.com.

PACKAGE CONTENTS

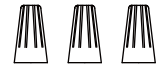


A Fixture Body
x 1

MOUNTING HARDWARE



AA Crossbar
x 1



BB Wire Connector
x 3



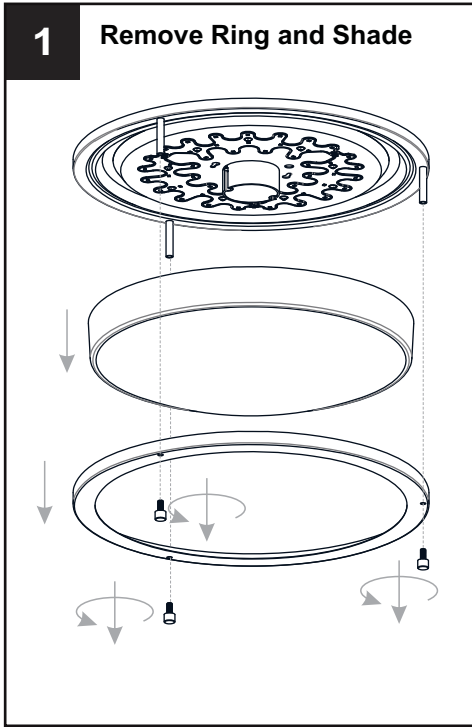
CC Outlet Box Screw
x 2



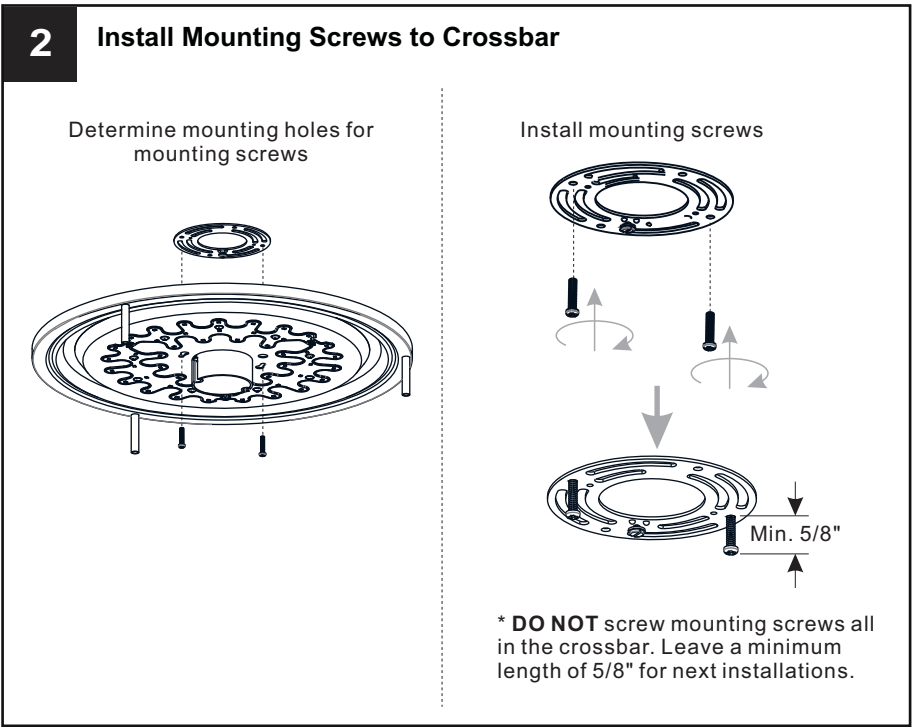
DD Mounting Screw
x 2

INSTALLATION

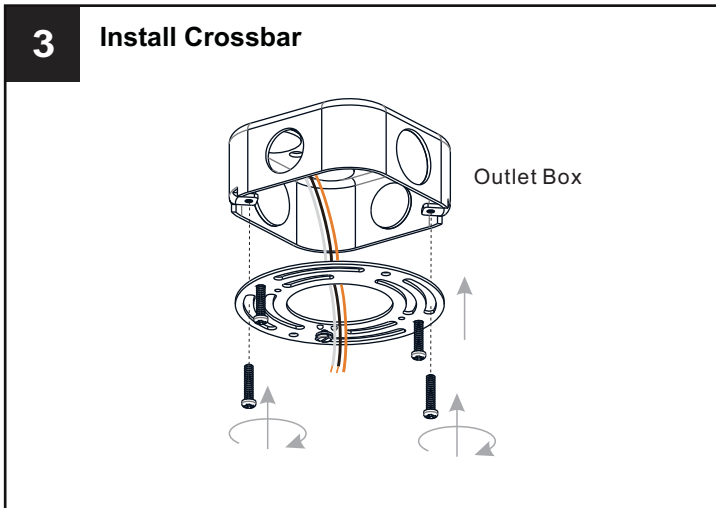
1 Remove Ring and Shade



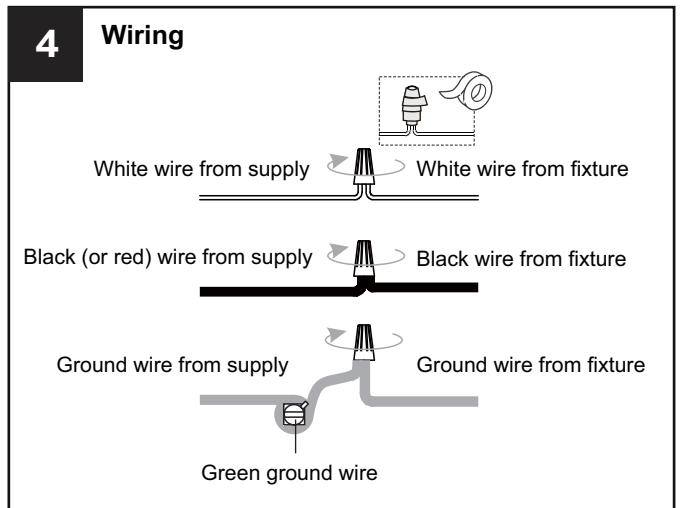
2 Install Mounting Screws to Crossbar



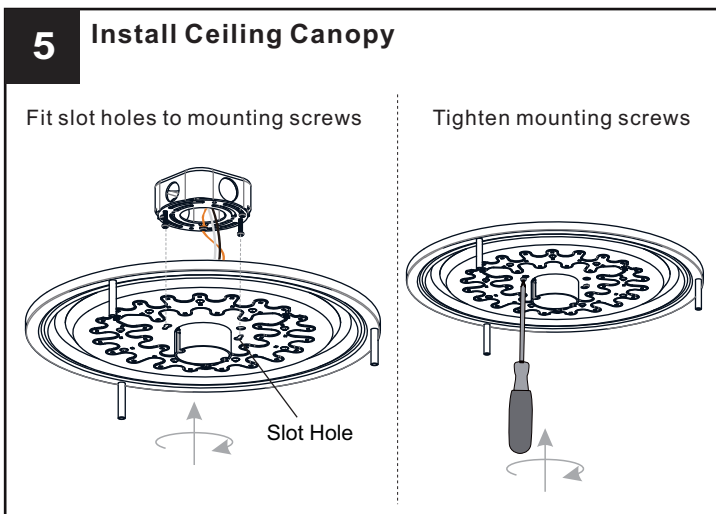
3 Install Crossbar



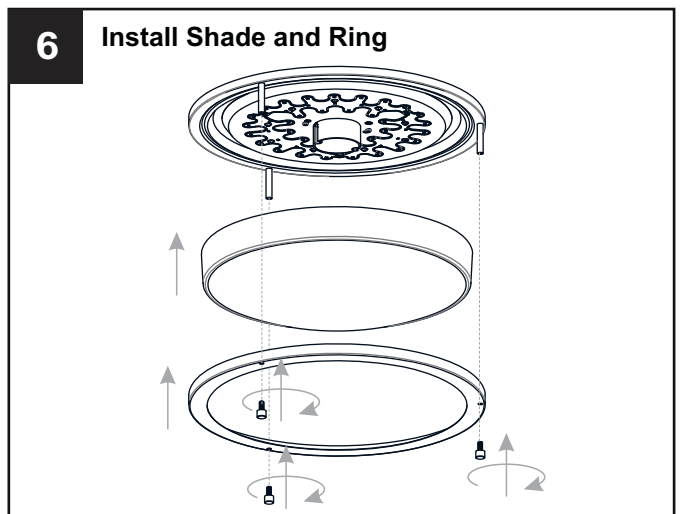
4 Wiring



5 Install Ceiling Canopy



6 Install Shade and Ring



Your installation is now complete! Restore electricity and save this sheet for future reference.