

**Tools Required**



**Light Source**

**23W  
LED**

**⚠ Warnings and Cautions**

Turn off the electricity at the circuit breaker before installation. Consult a licensed electrician if in doubt about installation.

**Package Contents**

**Preparation:** Identify and inspect all parts before beginning the installation.

Missing or damaged parts? Contact your original place of purchase.

**PARTS BAG**



**A** Crossbar  
x 1



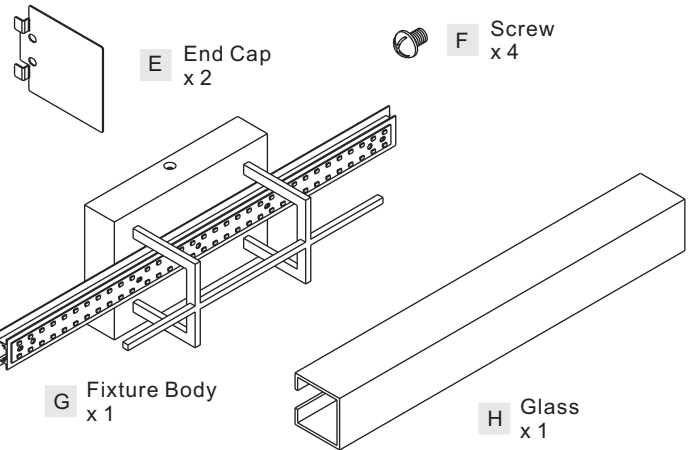
**B** Lock Screw  
x 2



**C** Outlet Box Screw  
x 2

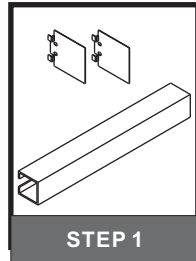


**D** Wire Connector  
x 3



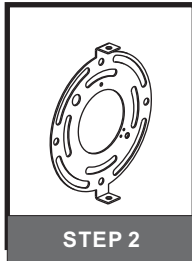
**Table of Contents**

**Glass & End Caps**



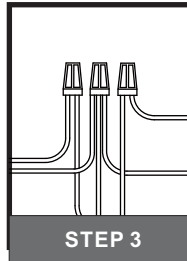
**STEP 1**

**Crossbar**



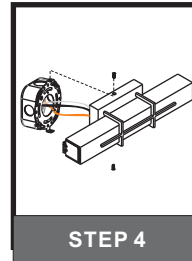
**STEP 2**

**Wiring**



**STEP 3**

**Fixture Body**

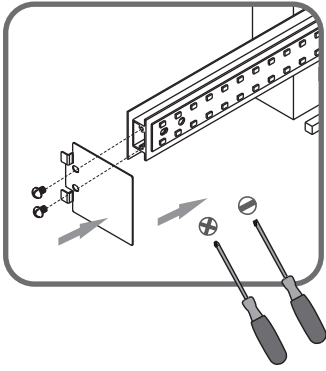


**STEP 4**

**STEP 1**

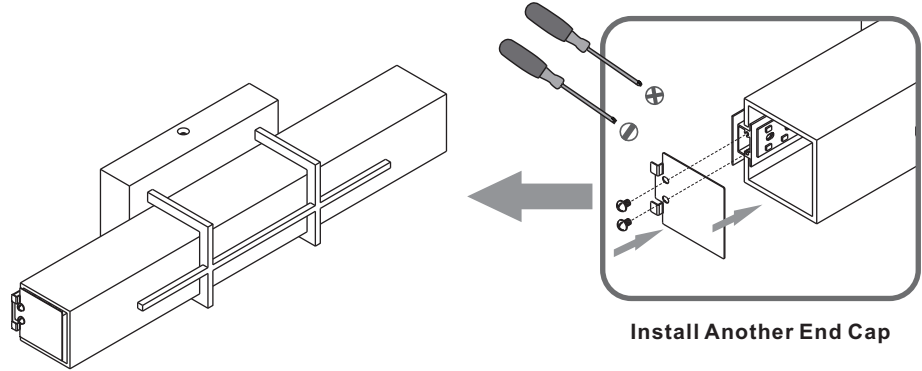
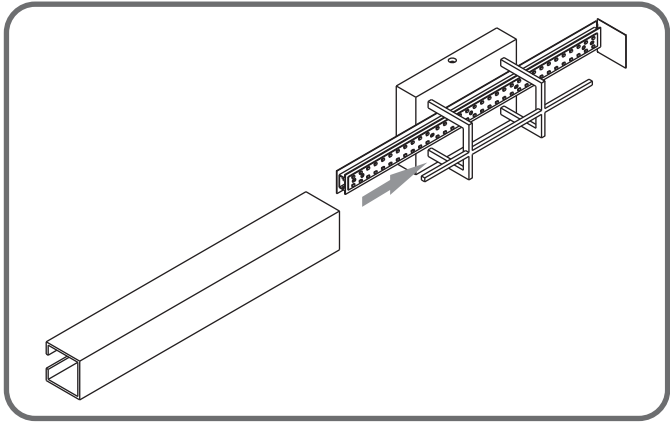
**1**

**Install One End Cap**



**2**

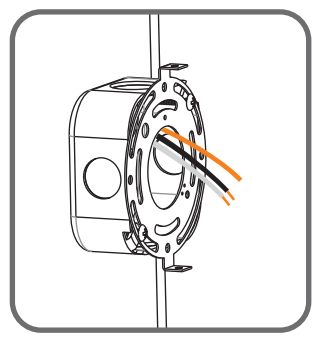
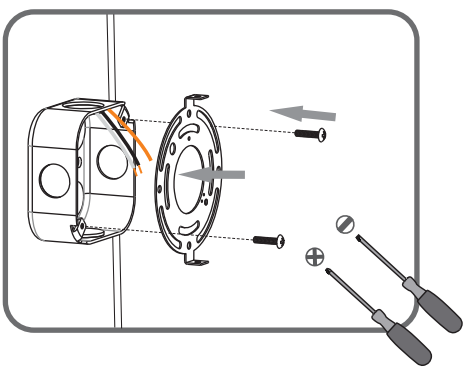
**Install Glass**



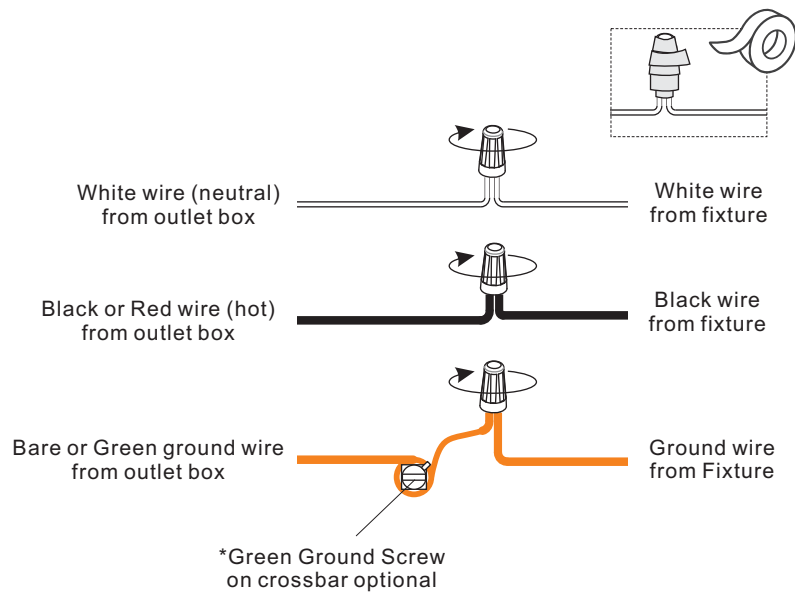
**Install Another End Cap**

**3**

**STEP 2**



### STEP 3



### STEP 4

