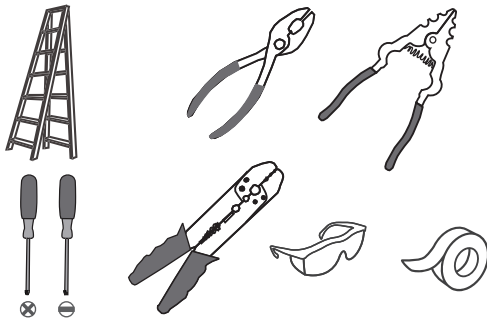
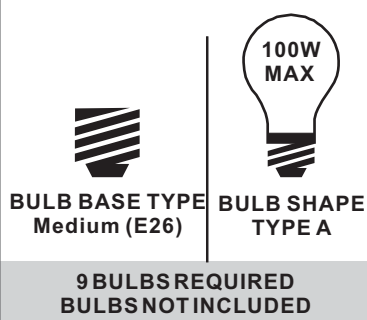


**Tools Required**



**Light Source**



**Fixture Height Adjustable  
34.25" to 130.25"**

**Warnings and Cautions**

Turn off the electricity at the circuit breaker before installation. Consult a licensed electrician if in doubt about installation.

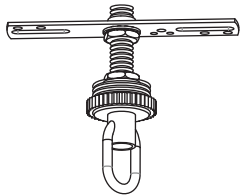
Turn off power to the fixture and allow the bulbs to cool before replacing.

**Package Contents**

**Preparation:** Identify and inspect all parts before beginning the installation.

Missing or damaged parts? Contact your original place of purchase.

**PARTS BAG**



**A** Crossbar Assembly x 1



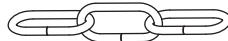
**B** Outlet Box Screw x 2



**C** Wire Connector x 3



**D** Quick Link x 2



**E** Fixture Chain x 1

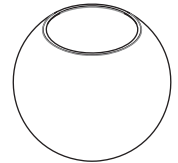


**F** Ceiling Canopy x 1

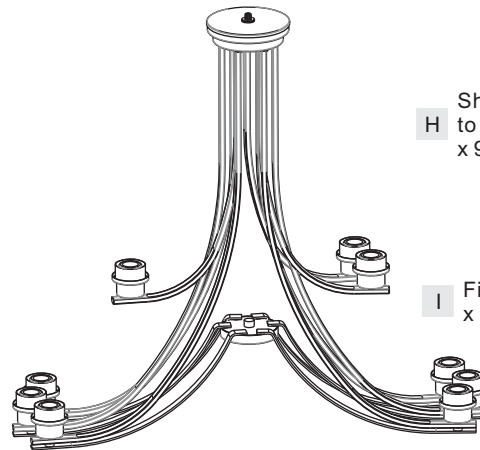


**G** Fixture Loop x 1

**Note:** Shade shape is for illustration purpose only. Your shade shape may vary from illustration.



**H** Shade (Varies according to style purchased) x 9



**I** Fixture Body x 1

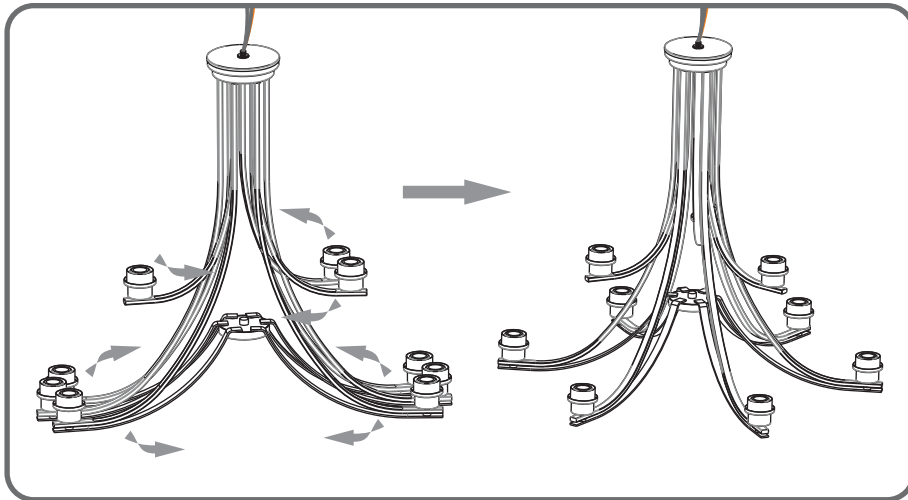
**Table of Contents**

Fixture Loop	Crossbar Assembly	Fixture Chain	Wiring	Ceiling Canopy	Shade & Bulb
<b>STEP 1</b>	<b>STEP 2</b>	<b>STEP 3</b>	<b>STEP 4</b>	<b>STEP 5</b>	<b>STEP 6</b>

# STEP 1

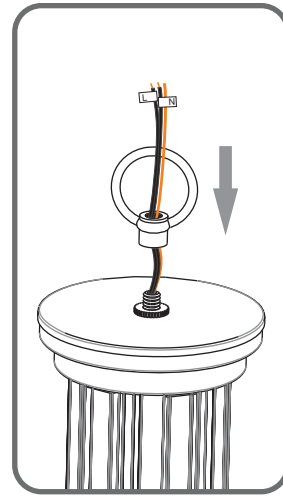
1

Step 1  
Unfold Support Arms



2

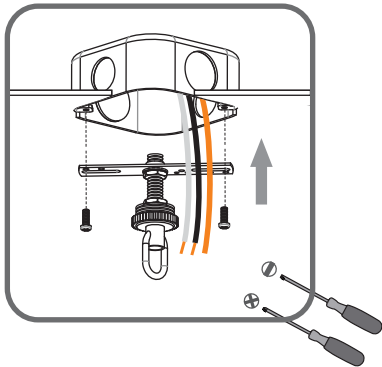
Step 2  
Install Fixture Loop



# STEP 2

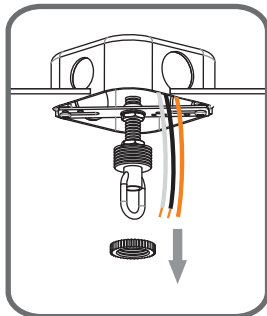
1

Step 1  
Install crossbar assembly

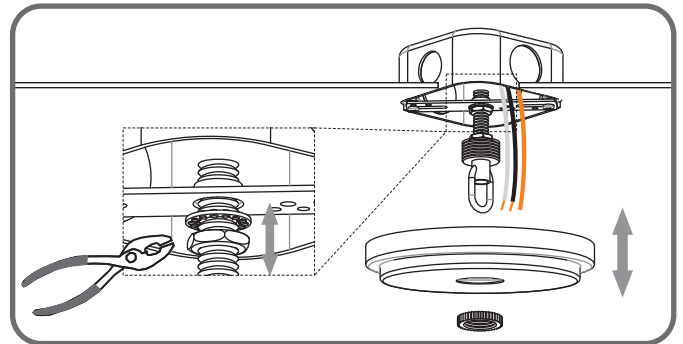


2

Step 2 - 3  
Test fitting ceiling canopy to nipple



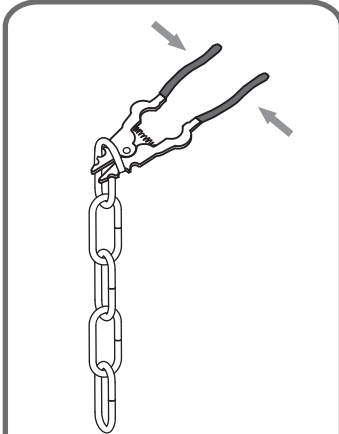
3



### STEP 3

1

Step 1  
Adjust fixture chain length

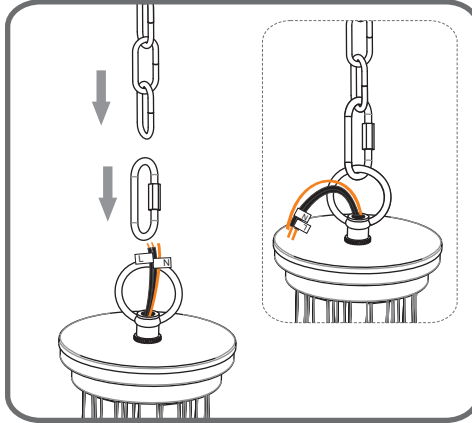


Suggested Chain Length:

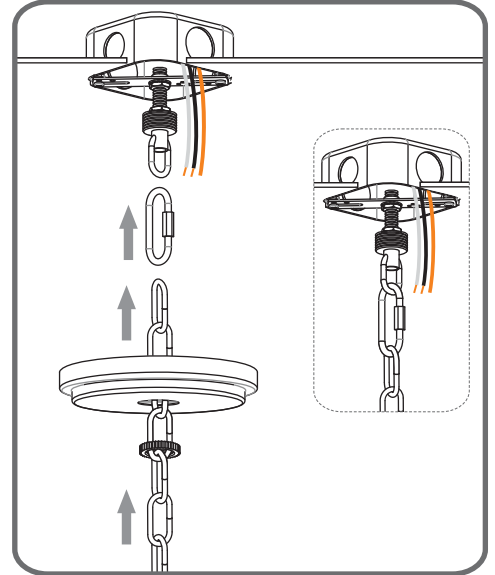
- 8' ceiling: 10" Chain
- 9' ceiling: 22" Chain
- 10' ceiling: 32" Chain

2

Step 2 - 3  
Install Fixture Chain



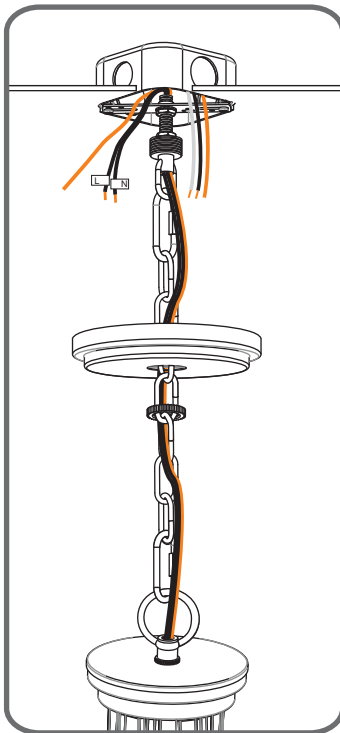
3



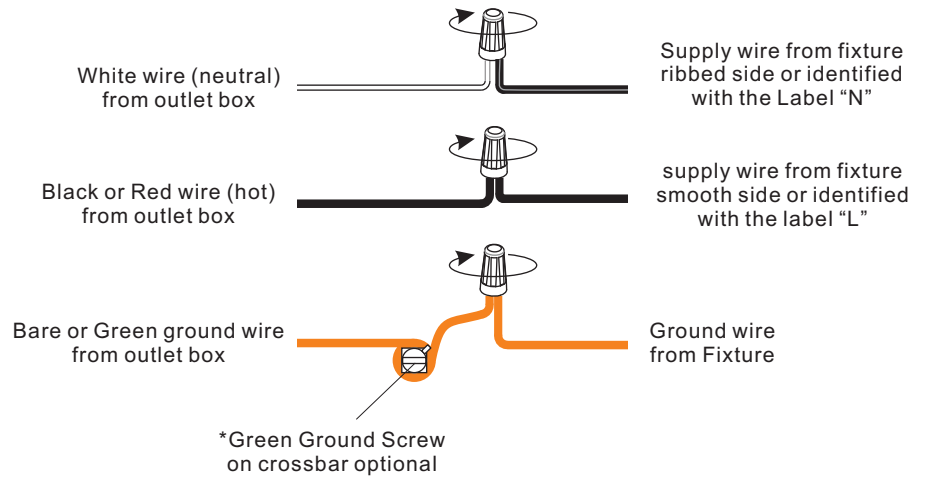
### STEP 4

1

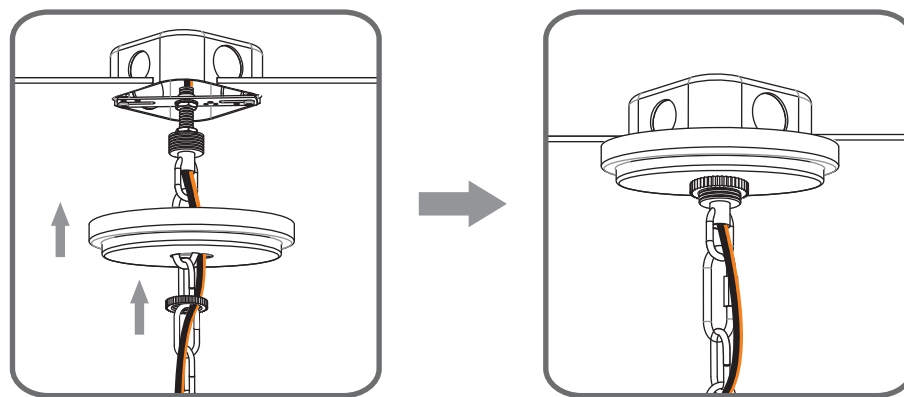
Step 1  
Feed the fixture wires  
through the loop



2

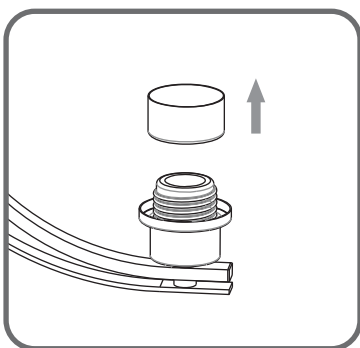


## STEP 5



## STEP 6

1



2

**Note: Shade shape is for illustration purpose only. Your shade shape may vary from illustration.**

