

Please go to [www. quoizel. com](http://www. quoizel. com) for product cleaning tips. Go to the **Care + Maintenance** selection.

**Tools Required:** Flathead screwdriver, Phillips screwdriver, pliers, wire cutters, wire strippers, electrical tape, safety glasses.

**Light Source:** (3) A19 Medium Base Bulbs 60W Maximum.

**Estimated Assembly Time:** 30-45 minutes

**Preparation:** Identify and inspect all parts before beginning installation. Check package content list and diagrams below to be sure all parts are present. If any parts are missing or damaged, do not attempt to assemble, install, or operate the fixture. Contact customer service for replacement parts.

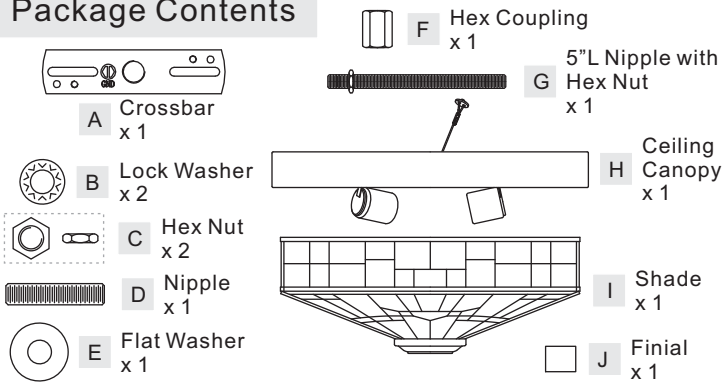
### ⚠ Warnings and Cautions

Turn off electricity at circuit breaker or main fuse box before installation. Consult a licensed electrician if in doubt.

These instructions are provided for your safety. It is very important you read them completely before installing the fixture. We strongly recommend that a licensed, professional electrician perform the installation.

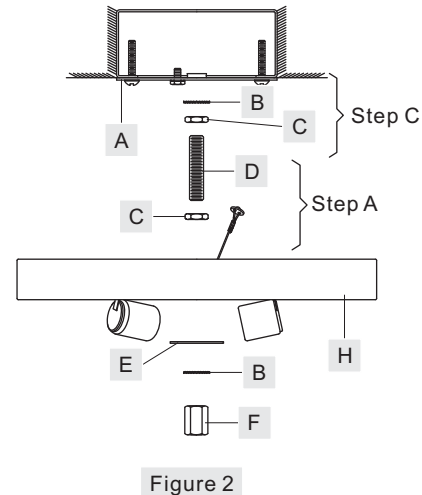
Disconnect fixture from power source before replacing bulbs. Make sure bulbs are given sufficient time to cool before removal.

### Package Contents



### (Step 2 Continued)

to rest against the ceiling when held in place by the Hex Coupling (F).  
E. Remove the Hex Coupling (F), the Lock Washer (B), Flat Washer (E) and the Ceiling Canopy (H). Tighten the Hex Nut (C) against the Crossbar (A) to secure in place.



### STEP 1 - Install the Crossbar to the junction box

A. Attach the Crossbar (A) to the Outlet Box with the head of the Green Ground Screw facing you. Secure it with Outlet Box Screws (not included), tighten until snug.

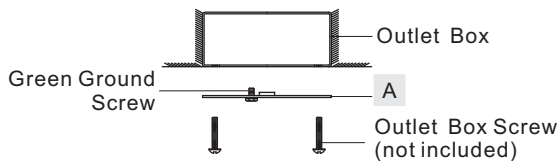


Figure 1

### STEP 2 - Install the Nipple

- A. Thread one Hex Nut (C) to one end of the Nipple (D) until it is at least 0.25" from the end. Pass the Ceiling Canopy (H), the Flat Washer (E) and one Lock Washer (B) over the end of the Nipple (D) in turn. Thread the Hex Coupling (F) onto the Nipple (D) to determine the correct position of the Nipple (D). By using pliers, thread the Hex Nut (C) against the Ceiling Canopy (H) and hand tighten until snug.
- B. Remove the Hex Coupling (F), Lock Washer (B), Flat Washer (E) and Ceiling Canopy (H) from the end of the Nipple (D).
- C. Thread another Hex Nut (C) to the middle of the Nipple (D). Place one Lock Washer (B) over the Nipple (D) and then thread the Nipple (D) into the Crossbar (A) until the Nipple (D) is about 0.375" above the Crossbar (A).
- D. Pass the Ceiling Canopy (H), Flat Washer (E) and one Lock Washer (B) over the end of the Nipple (D) in turn and thread the Hex Coupling (F) onto the Nipple (D) to determine the correct position of the Nipple (D). Adjust the Nipple (D) to allow the Ceiling Canopy (H)

### STEP 3 - Attach the Lanyard

- A. The purpose of the lanyard is to provide a means to support the fixture hands free from the junction box while connecting the electrical wires.
- B. Turn the Button Stop so it may be inserted into a Crossbar slot. Make sure the Button Stop is completely inside the Crossbar. Slowly release the fixture to make sure it is supported by the Button Stop. Proceed to the wiring steps in the next step. Once you are complete with the wiring, the Lanyard will push into the junction box when the fixture is placed for final mounting.

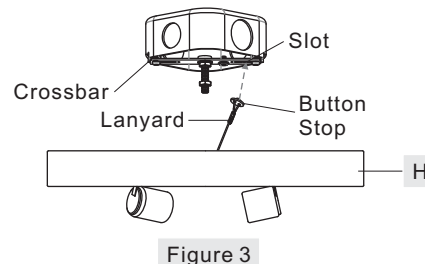
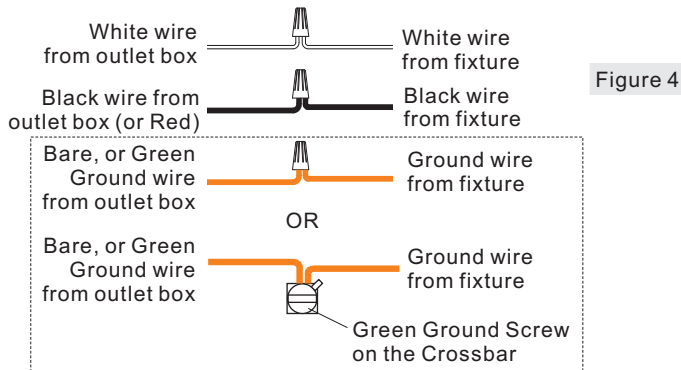


Figure 3

Thank you for purchasing a Quoizel product.  
Need assistance with parts or assembly? Call Quoizel customer service at 1-800-645-3184  
or visit us on-line at [www. quoizel. com](http://www. quoizel. com)

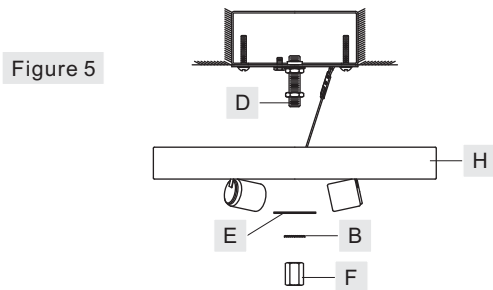
#### STEP 4 - Wire Connections

A. Use standard wire connectors (not included) to make all wire connections. Twist connectors until wires are tightly joined together. Wrap each connection with approved electrical tape and carefully stuff all the connected wires into the Outlet Box.



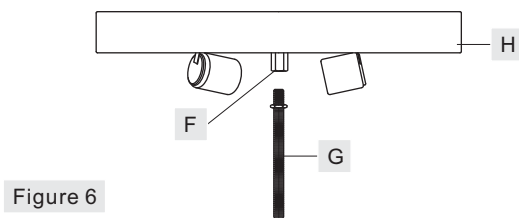
#### STEP 5 - Install the Ceiling Canopy

A. Place the Ceiling Canopy (H), the Flat Washer (E) and the Lock Washer (B) over the end of the Nipple (D) in turn. Secure by threading the Hex Coupling (F) onto the Nipple (D). Hand tighten until snug with pliers.



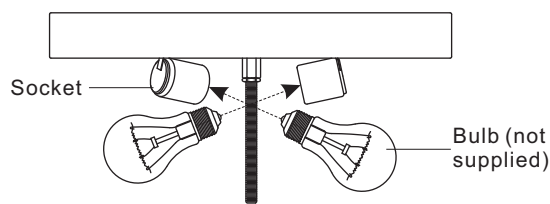
#### STEP 6 - Install the Nipple with Hex Nut

A. Thread the Hex Nut end of the Nipple with Hex Nut (G) into the Hex Coupling (F) underside of the Ceiling Canopy (H). By using pliers, thread the hex nut against the Hex Coupling (F) and hand tighten until snug.



#### STEP 7 - Install Bulbs

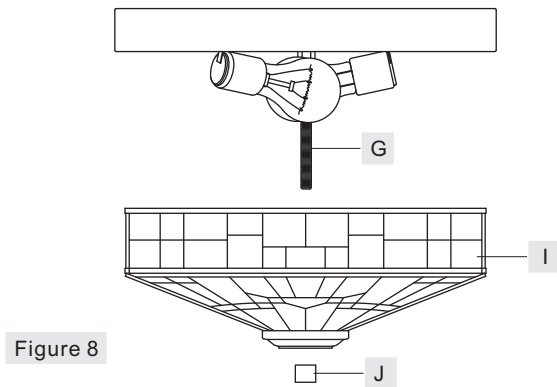
A. Insert bulbs onto sockets and screw snugly into place.



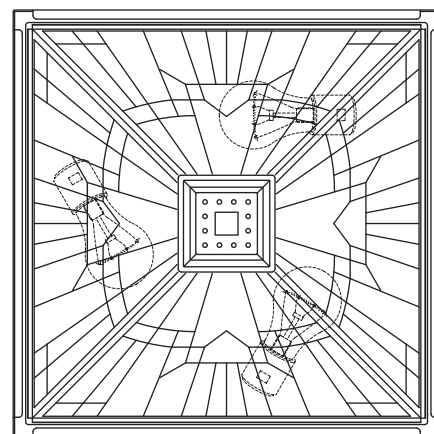
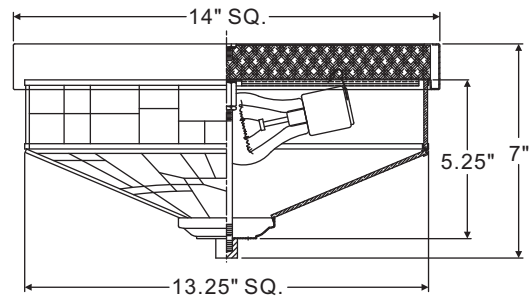
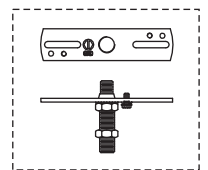
#### STEP 8 - Install the Shade

A. Place the Shade (I) over the end of the Nipple with Hex Nut (G) and secure with the Finial (J). Hand tighten until snug.

Your fixture is now assembled and ready to use. Enjoy!



TFIK1614VA  
FINISH: VALIANT BRONZE



NOTE: ALL DIMENSIONS ARE ROUNDED UP TO THE NEAREST 1/4"

Thank you for purchasing a Quoizel product.  
Need assistance with parts or assembly? Call Quoizel customer service at 1-800-645-3184  
or visit us on-line at [www.quoise.com](http://www.quoise.com)