

**Tools Required:** Flathead screwdriver, Phillips screwdriver, pliers, wire cutters, wire strippers, electrical tape, safety glasses.

**Bulb Recommended:** (2) Candelabra Base 60W Maximum, Alternate bulb (2) 13W CFL Candelabra.

**Estimated Assembly Time:** 30-45 minutes

**Preparation:** Identify and inspect all parts before beginning installation. Check package content list and diagrams below to be sure all parts are present. If any parts are missing or damaged, do not attempt to assemble, install, or operate the fixture. Contact customer service for replacement parts.

**Fixture can only be mounted in the direction indicated on page 2.**

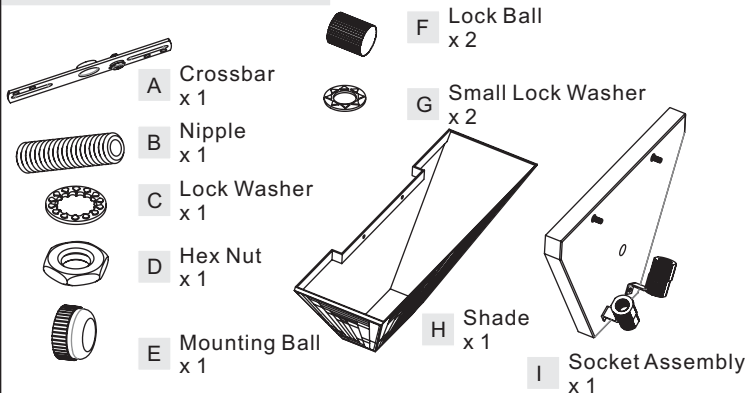
## ⚠ Warnings and Cautions

Turn off electricity at circuit breaker or main fuse box before installation. Consult a licensed electrician if in doubt.

These instructions are provided for your safety. It is very important you read them completely before installing the fixture. We strongly recommend that a licensed, professional electrician perform the installation.

Disconnect fixture from power source before replacing bulbs. Make sure bulbs are given sufficient time to cool before removal. Do not subject glass parts to any shock while in operation or shattering may result.

## Package Contents



### STEP 1 – Attach Nipple to Crossbar

- Secure the Crossbar (A) to the outlet box with outlet box screws (not supplied). Tighten until snug.
- Thread one Hex Nut (D) onto the top end of the Nipple (B).
- Place one Lock Washer (C) over the top end of the Nipple (B) and then thread the Nipple (B) into the center lock hole of the Crossbar (A).
- Using pliers, thread the Hex Nut (D) against the Crossbar (A) and hand tighten until snug.

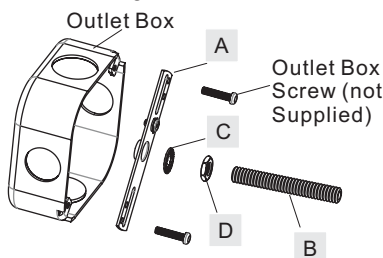


Figure 1

### STEP 2 – Attach Shade to Socket Assembly

- Pass holes on the Bar and the Small Lock Washers (G) over the bolts on the Socket Assembly (I) and secure with Lock Balls (F).

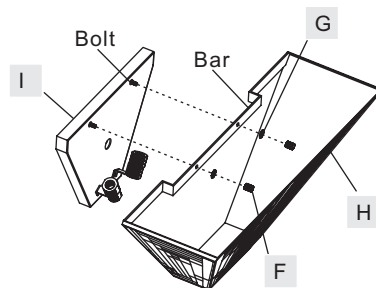


Figure 2

### STEP 3 - Wire Connections

- Use standard wire connectors (not included) to make all wire connections. (Connectors are not included with fixture.) Twist connectors until wires are tightly joined together. Wrap each connection with approved electrical tape and carefully stuff all the connected wires into the Outlet Box.

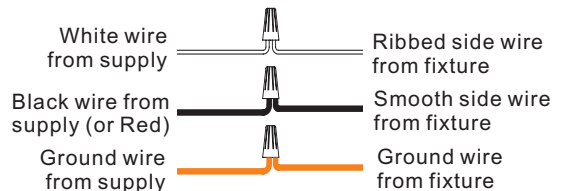


Figure 3

### STEP 4 – Attach Fixture Body to Nipple

- Place the Backplate of the Socket Assembly (I) over the Nipple (B) and secure with the Mounting Ball (E). Hand tighten until snug.
- This fixture uses standard bulbs with a standard screw base. Maximum 60 watts. Insert bulb and screw properly into place.

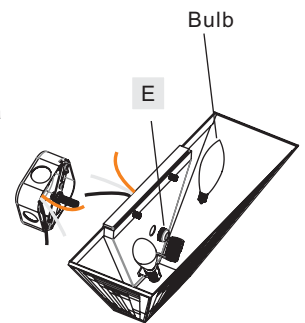
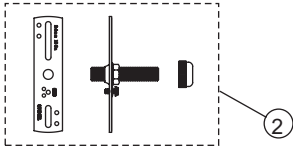


Figure 4

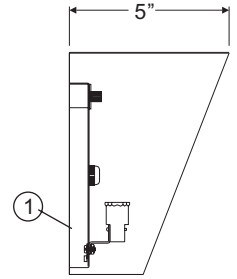
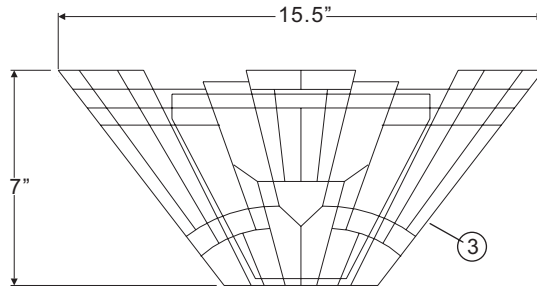
Your fixture is now assembled and ready to use. Enjoy!

**Thank you for purchasing a Quoizel product.**  
**Need assistance with parts or assembly? Call Quoizel customer service at 1-631-273-2700**  
**or visit us on-line at [www. quozel. com](http://www. quozel. com)**

TFIK8802



↑  
Fixture can only be mounted in the direction indicated



(2)60W B10  
Candelabra Base  
Bulbs (Not Supplied)

NOTE: ALL DIMENSIONS ARE ROUNDED UP TO THE NEAREST 1/2"

NO.	PART NUMBER	REPLACEMENT PART DESCRIPTION	REQ.
1	18802TFIK	BASE TFIK8802	1
2	8952KIT	MOUNTING HARDWARE	1
3	G8186SH	SHADE TIFFANY INGLENOOK 7H X 16D	1