

# Kiel Wall / Bath

4\_04093S | 1.0

## GENERATION LIGHTING WALL

### GENERAL PRODUCT INFORMATION:

These fixtures are intended to be installed utilizing NEC compliant junction boxes.

This product is safety listed for damp locations.

This product may be mounted horizontally or vertically.

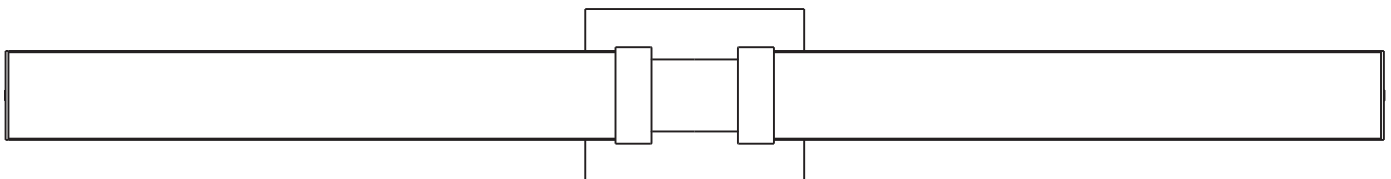
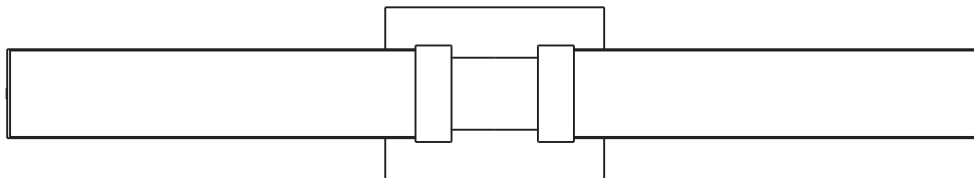
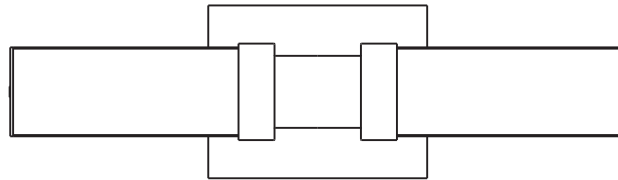
This instruction shows a typical installation.

### CAUTION - RISK OF FIRE

This product must be installed in accordance with the applicable installation code by a person familiar with the construction and operation of the product and the hazards involved.

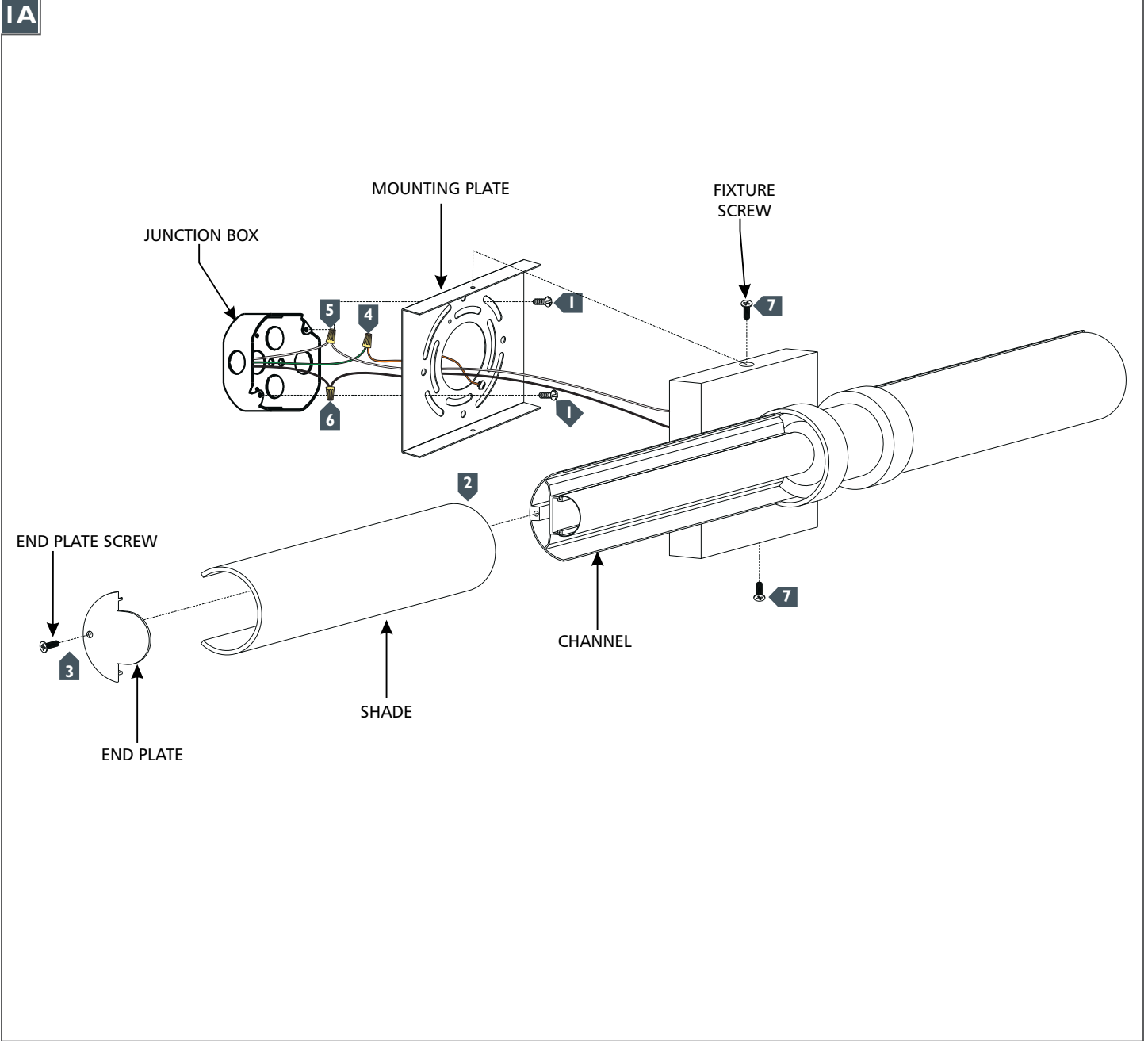
Use minimum 90°C supply conductors.

**SAVE THESE INSTRUCTIONS!**



GENERATION LIGHTING  
7400 Linder Ave., Skokie, IL 60077  
T 847.410.4400 | F 847.410.4500  
www.generationlighting.com

# Install the Fixture



- 1** Secure the mounting plate to the junction.
- 2** Slide the shade into channel on both ends of the fixture.
- 3** Install an end plate onto the end of the fixture and secure it in place with the end plate screw. Repeat for the other side.
- 4** Connect the fixture to a suitable ground in accordance to local electrical codes.
- 5** Connect the white fixture wire (square and/or rigid) to the neutral power line wire with a wire nut.
- 6** Connect the black fixture wire (round and/or smooth) to the hot power line wire with a wire nut.
- 7** Neatly place all the wires into the junction box, place the fixture base onto the mounting plate, and secure it in place with the fixture screws.