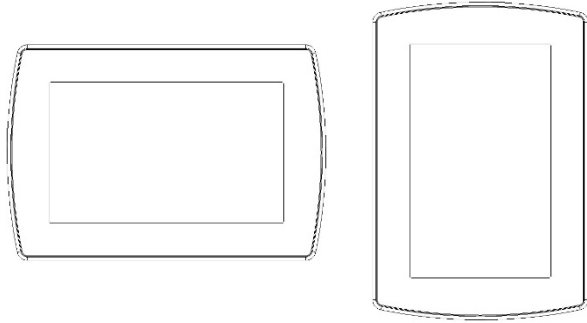


**SPECIFICATIONS – Signature Control**



Construction..... 6061 Aluminum  
 Display.....5” Capacitive Touch screen  
 Display Full Color.....16.7M  
 Display resolution.....480 x 800  
 Interface.....Single Touch

**Signatouch Series operational features:**

- **Digital Shower**
  - Operates flow, temperature, and output
- **Steam Shower**
  - Operates time, temperature, and auto powerflush
- **Light Sound and rainhead**
  - Control linked Bluetooth device
  - Control moodlight, shower light, and chromatherapy.

**Signatouch Series features:**

- Can be mounted vertically or horizontally
- 2 user settings
- Day clock
- 15 finishes

**Installation Notes:**

The control should be installed 60” inches from the floor of the shower, inside the shower only, and away from the steam head.

**Product Specification:**

The user interface control shall be 5.8” x 4” x 0.7” in dimension. The Control shall be made of billet and includes the ability to operate and control: Smart Steam, Fast Start, Auto PowerFlush, Light and Sound System. By using a 100% networked digital technology.

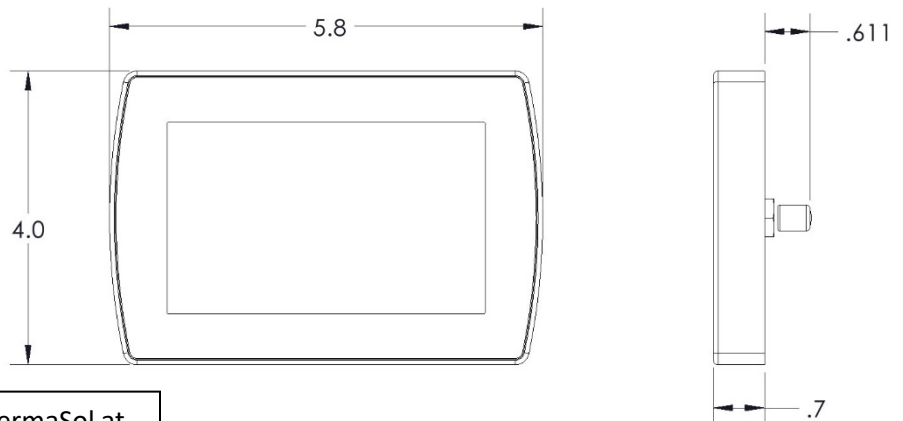
**Finish Chart:**

Replace the -xx in part number STCM-xx. With your desired finish.

PC = Polished Chrome	PN = Polished Nickel
SC = Satin Chrome	SN = Satin Nickel
PB = Polished Brass	BN = Black Nickel
SB = Satin Brass	AN = Antique Nickel
AB = Antique Brass	PG = Polished Gold
COP = Polished Copper	ORB = Oil Rubbed Bronze
ACOP = Antique Copper	WHT = White
MB = Matte Black	

**Shipping Information:**

Weight.....1.25 lbs.  
 Length.....9.5 in.  
 Width.....6.5 in.  
 Height.....2.5 in.



For any further assistance please contact ThermaSol at  
 800.776.0711 or [sales@thermasol.com](mailto:sales@thermasol.com)

Visit [www.thermasol.com](http://www.thermasol.com) for a complete product definition



**SPECIFICATIONS – SteamVection Steam Head**

Construction..... Brass  
Aromatherapy..... Integral Reservoir

**Installation Notes:**

The steam head should be installed 24 inches from the floor, and 6 inches from any corner, inside the shower only, and as far away from the controller and shower fixtures as possible.

The steam head housing requires a 1-1/8" hole in the shower wall, and must be flush with the finished wall and sealed to the wall to not allow vapor or water behind it. Use 1/2" copper fittings to attach the housing to the steam outlet. See the full steam head housing instructions within your generator installation guide.

**Product Specification:**

The steam head shall be approximately 1.75" x 1.75" in the square version, and a 1.75" Dia. For the round version. The steam head is made from brass alloy and includes an aromatherapy well.

**Finish Chart:**

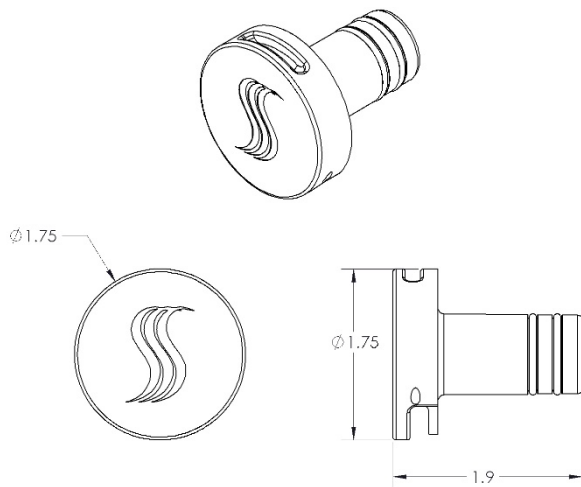
Select desired finish and replace XX with code. No-Touch Aromatherapy steam head and control finishes.

PC = Polished Chrome	PN = Polished Nickel
SC = Satin Chrome	SN = Satin Nickel
PB = Polished Brass	BN = Black Nickel
SB = Satin Brass	AN = Antique Nickel
AB = Antique Brass	PG = Polished Gold
COP = Polished Copper	ORB = Oil Rubbed Bronze
ACOP = Antique Copper	WHT = White
MB = Matte Black	

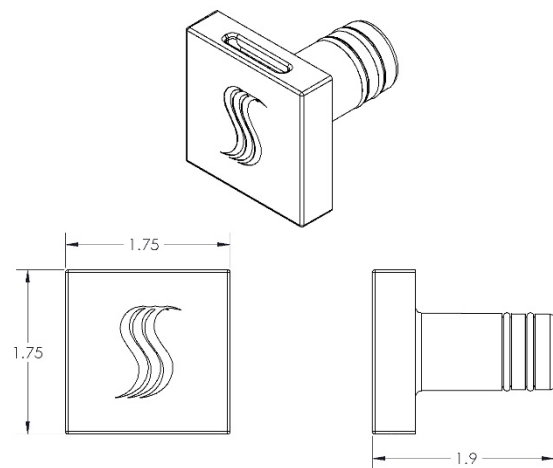
**Shipping Information:**

Weight..... 1 lbs.  
Length.....9.5 in.  
Width.....3.5 in.  
Height.....2.5 in.

For any further assistance please contact  
ThermaSol at 800.776.0711 or  
[sales@thermasol.com](mailto:sales@thermasol.com)



Round Style



Square Style